



A TEREX BRAND

Parts Manual

Serial Number Range

Z-45/25

from SN 9997 to 21178

Z-45/25J

IC Power

Part No. 52551

Rev E3

November 2018

Technical Publications

Genie has endeavored to deliver the highest degree of accuracy possible. However, continuous improvement of our products is a Genie policy. Therefore, product specifications are subject to change without notice.

Readers are encouraged to notify Genie of errors and send in suggestions for improvement. All communications will be carefully considered for future printings of this and all other manuals.

Contact Us:

Internet: www.genielift.com
e-mail: awp.techpub@terex.com

Find a Manual for this Model

Go to <http://www.genielift.com>

Use the links to locate Operator's, Parts, Maintenance, and Service and Repair Manuals.


Contact Us:

<http://www.genielift.com>
e-mail: awp.techpub@terex.com

Copyright © 1998 by Terex Corporation

52551 Rev E February 2018
Second Edition, Fifth Printing

Genie is a registered trademark of Terex South Dakota, Inc. in the USA and many other countries. "Z" is a trademark of Terex South Dakota, Inc.

 Printed on recycled paper



Model: Z-45/25
Serial number: Z452598-12345
Model year: 1998 **Manufacture date:** 01/01/98
Electrical schematic number: ES0274
Machine unladen weight:

Rated work load (including occupants): 500 lb / 227 kg
Maximum number of platform occupants: 2
Maximum allowable side force : 150 lb / 670 N
Maximum allowable inclination of the chassis:
 0 deg
Maximum wind speed : 28 mph / 12.5 m/s
Maximum platform height : 45 ft 6 in / 13.8 m
Maximum platform reach : 25 ft 3 in / 7.7 m
Gradeability: N/A
Country of manufacture: USA
This machine complies with:
 ANSI A92.5
 CAN B.354.4

Terex South Dakota, Inc.
 18340 NE 76th Street
 Redmond, WA 98052
 USA



110101011

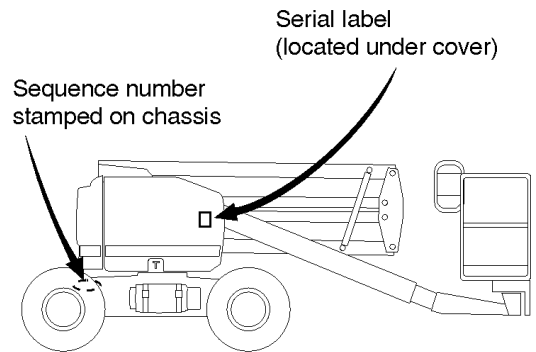
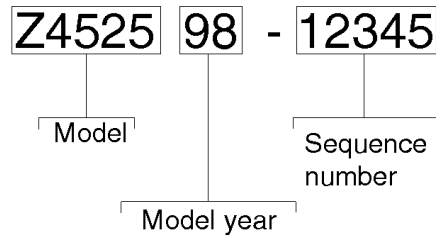
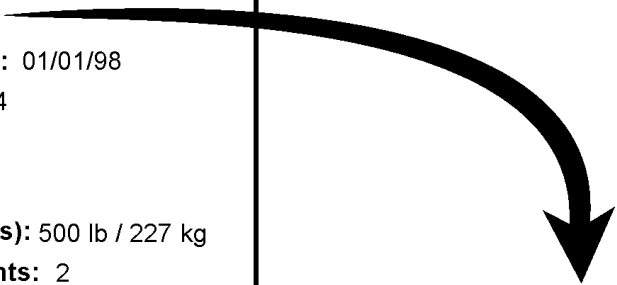


Table of Contents

This manual is updated frequently. If you have a printed manual, you can keep it up to date by downloading new figures from the Genie website at www.genielift.com. For the most up-to-date parts information, visit the Parts Lookup System on the Genie website at www.genielift.com.

How to Read Your Serial Number.....	3
Parts Stocking List.....	7
How to Order Parts.....	8
Service Parts Fax Order Form.....	9

Electronic Version

Click on any page number to view the figure.

100 Decals and Paint

101.1 Decals and Paint.....	10
-----------------------------	----

200 2WD Drive Chassis Components

201.1 Steer Axle Linkage - Oscillate Models.....	14
202.1 Steer Axle Linkage - Non-oscillate Models.....	16
203.1 Steer Axle Wheels and Hubs.....	18
204.1 Non-steer Axle.....	20
205.1 Drive Manifold.....	24
206.1 Oscillation Valve.....	26
206.2 Oscillation Valve, Kit T111453.....	28
207.1 Hydraulic Hoses and Fittings - Drive and Steer System.....	30
208.1 Hydraulic Hoses and Fittings - Drive and Steer System, Narrow Models.....	32
209.1 Hydraulic Hoses and Fittings - Oscillate System.....	34

300 4WD Drive Chassis Components

301.1 Steer Axle Linkage - Oscillate Models.....	36
302.1 Steer Axle Wheels and Hubs.....	38
303.1 Non-steer Axle.....	40
304.1 Drive Manifold.....	44
305.1 Oscillation Valve.....	46
305.2 Oscillation Valve.....	48
306.1 Hydraulic Hoses and Fittings - Drive and Steer System.....	50
307.1 Hydraulic Hoses and Fittings - Oscillate System.....	54

400 Engine Components

401.1 Engine Pivot Plate Components.....	56
402.1 Ford LRG-425 EFI Engine - View 1 (from SN 9996 to 19393).....	60

402.2 Ford LRG-425 EFI Engine - View 1 (from SN 19394).....	64
403.1 Ford LRG-425 EFI Engine - View 2.....	66
404.1 Ford LRG-425 EFI Engine - View 3.....	70
405.1 Deutz F3L 1011F Engine - View 1.....	72
406.1 Deutz F3L 1011F Engine - View 2.....	76
407.1 Perkins 104-22 Engine - View 1.....	78
408.1 Perkins 104-22 Engine - View 2.....	80
409.1 Perkins 104-22 Engine - View 3.....	82
410.1 Perkins 104-22 Engine - View 4.....	84

500 Turntable Components

501.1 Turntable Rotator.....	86
502.1 Fuel and Hydraulic Tanks.....	88
503.1 Function Manifold and Ground Control Box Installation.....	90
504.1 Function Manifold.....	92
505.1 Ground Controls - View 1.....	96
506.1 Ground Controls - View 2.....	98
507.1 Turntable Covers - Engine Side.....	100
508.1 Turntable Covers - Tank Side (to SN 19693).....	102
509.1 Turntable Covers - Tank Side and Fuel Filter (from SN 19694).....	104
510.1 Hydraulic Hoses and Fittings - Turntable Components (to SN 20757).....	106
511.1 Hydraulic Hoses and Fittings - Turntable Components (from SN 20758).....	108

600 Boom Components

601.1 Boom Installation - Pins and Bushings.....	110
602.1 Boom Installation - Linkage.....	112
603.1 Upper Pivot.....	114
604.1 Primary and Extension Booms - Non-Jib Models.....	116
605.1 Primary and Extension Booms - Jib Models.....	118
606.1 Cable Track Installation - Non-Jib Models.....	120
607.1 Cable Track Installation - Jib Models.....	122
608.1 Platform Leveling and Rotation - Non-Jib Models.....	124
609.1 Platform Leveling and Rotation - View 1 - Jib Models.....	126
610.1 Platform Leveling and Rotation - View 2 - Jib Models.....	128
611.1 Hydraulic Hoses and Fittings - Non-Jib Models.....	130
612.1 Hydraulic Hoses and Fittings - Jib Models.....	132
613.1 Jib Detail.....	136

700 Platform Components

701.1 Platform Installation.....	138
702.1 Platform.....	140
703.1 Platform Controls - View 1.....	142

704.1 Platform Controls - View 2.....	144
705.1 Joystick Controller - Drive/Steer Functions.....	146
706.1 Joystick Controller - Secondary Boom Functions.....	148
707.1 Joystick Controller - Primary Boom and Turntable Rotate Functions.....	150
800 Accessories	
801.1 Alarm and Beacon Package.....	152
802.1 Platform Options.....	154
803.1 Half-mesh and Swing Gate Options.....	156
804.1 Air Line to Platform.....	158
805.1 Cold Start Package - Ford and Deutz Engines.....	160
806.1 Generator Option.....	162
807.1 Pipe Cradle.....	164
Indices	
Part Number Index.....	166
Part Description Index.....	172
Cross References	
Fittings Cross Reference.....	182

Required Parts

The following parts are required to perform maintenance procedures as outlined in the Genie Z-45/25 and Z-45/25J Service Manual.

All Models:

Description	Part No.
Hydraulic Tank Filter Element.....	77353
Drive Loop Hydraulic Filter Element.....	20880
Lithium Based Grease.....(source locally)	
Dielectric Grease.....	66399
Drive Hub Oil (refer to Service Manual) ..(source locally)	

Ford Models

Description.....	Part No.
Fuel Pre-Filter.....	52179
Fuel Pressure Regulator/Filter.....	58967
Engine Oil Filter.....	28656
Air Filter Element.....	27916
Serpentine Belt.....	52580
PCV Valve.....	33957
Spark Plug.....	28647

Perkins Models:

Description	Part No.
Air Filter Element.....	27916
Fuel/water Separator Element.....	22942
Engine Oil Filter.....	65540
Fuel Filter.....	22942

Deutz Models:

Description	Part No.
Air Filter.....	27916
Fuel/water Separator Element.....	65541
Engine Oil Filter.....	49924

Recommended Parts

Description	Part No.
Genie Blue Paint, 1 Gallon.....	32150
Genie Blue Paint, 12 Ounce Aerosol.....	1484
Genie Gray Paint, 1 Gallon.....	32151
Genie Gray Paint, 12 Ounce Aerosol.....	1268
Plug and Cap Kit (for ORFS fittings).....	49613

Manuals

Genie Industries offers the following support documents for these models:

Title	Part No.
EMI Safety Manual.....	27581
Manual of Responsibilities ANSI A92.5.....	31779

How To Order Parts

How to Order Parts

Please be prepared with the following information when ordering replacement parts for your Terex or Genie product.

- Machine model number
- Machine serial number
- Part number
- Part description and quantity
- Purchase order number
- "Ship to" address
- Desired method of shipment
- Name and telephone number of the authorized distributor in your area.

Use the Service Parts Fax Order Form on the next page and fax your order to our Parts Department.

If you don't know the name of your authorized distributor, or if your area is not currently serviced by an authorized distributor, please call Terex or Genie Industries.

Machine Information

Model

Serial Number

Date of Purchase

Authorized Genie Distributor

Phone Number

North America

Telephone (425)881-1800
 Toll Free (800)536-1800 in US and Canada
 Fax (425)556-8659
 Toll Free fax (888)274-6192
 Email AWP.PartsSalesPO@terex.com
<http://genielift.com/en>

EMEAR (Europe, Middle East, Africa and Russia)

Telephone (31)(165)519 313
 Fax (31)(165)511 148
<http://genielift.co.uk>

Asia Pacific (Genie Singapore)

Telephone +65 6692 7777
 Fax +65 6261 8893
<http://genielift.com.sg/>

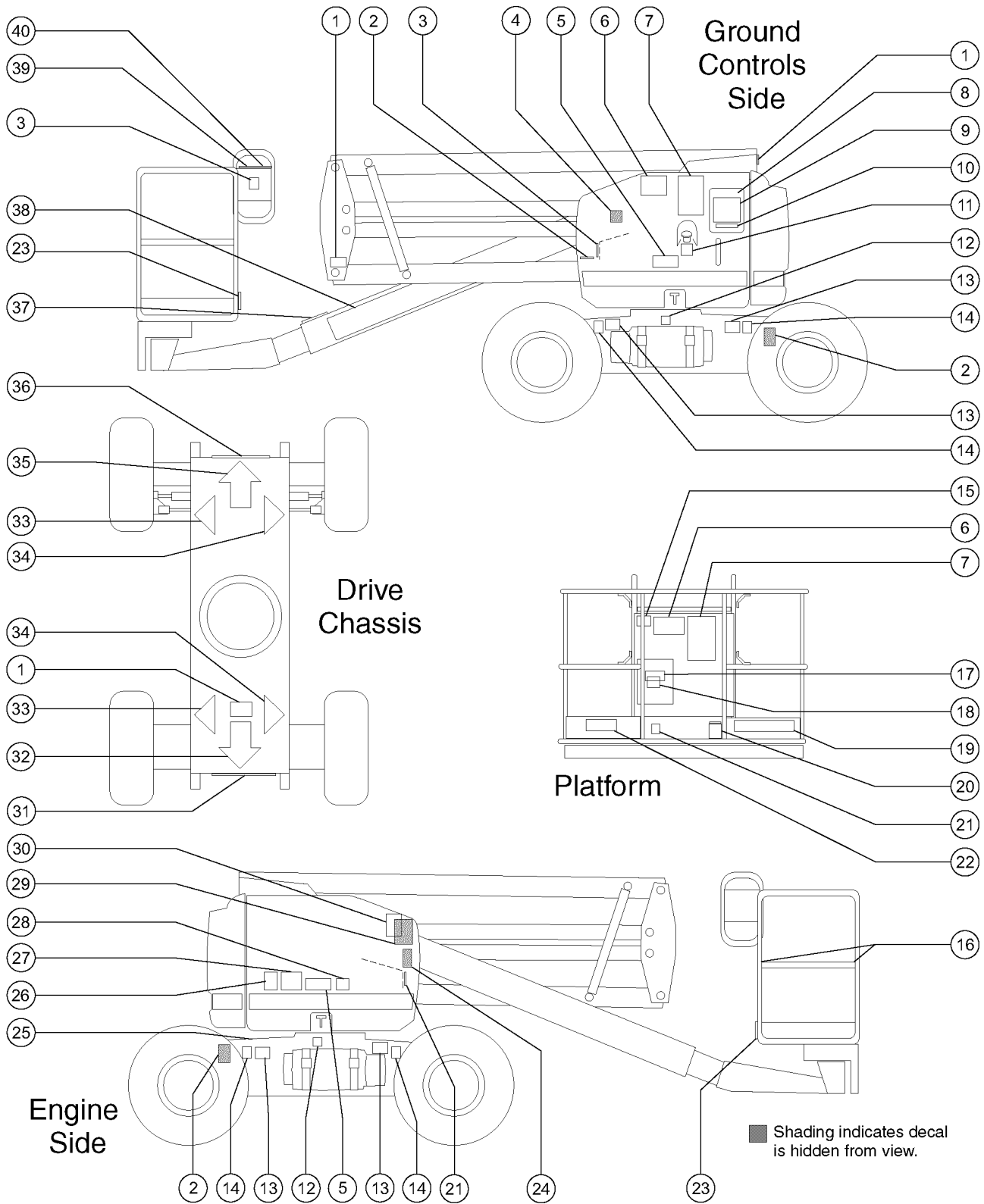
Australia

Telephone (61)(7)3456 4444
 Fax (61)(7)3456 4466
<http://genielift.com.au>

South America

Telephone (55)(11)4082 5600
 Fax (55)(11)4082 5630

101.1 Decals and Paint



101.1 Decals and Paint

Item	Part No.	Description	Qty.	Item	Part No.	Description	Qty.
--	1268GT	PAINT,AEROSOL,GENIE GRAY***		13	52672GT	DECAL,DANGER,TIPOVER HAZARD***	4
--	1484GT	PAINT,AEROSOL,BRIGHT BLUE***		14	52447GT	DECAL,NOTICE,TIRE SPECS***	4
--	32150GT	PAINT,WET,GENIE BLUE (1 GL)**		14	65301GT	DECAL,NOTICE,FOAM-FILLED TIRES	4
--	32151GT	PAINT,WET,GENIE GRAY (1 GL)**				<i>Narrow Models</i>	
--	82000GT	DECAL KIT,SFTY/INSTR.GASZ45 <i>Ford models; kit does not include index numbers 3, 4, 13, 14, 21, 22, 24, 29, 30, 31, 36, 38 and 40; to SN 16867</i>		15	33952GT	DECAL,DANGER,TILT ALARM	1
--	82001GT	DECAL KIT,SFTY/INST.45IC,DSL <i>Deutz models; kit does not include index numbers 3, 4, 8, 12, 13, 14, 21, 22, 24, 29, 30, 31, 36, 38 and 40; to SN 16867</i>		16	40434GT	DECAL,LANYARD ANCHORAGE POINT	3
--	82002GT	DECAL KIT,SFTY/INSTR.GASZ45 <i>Ford models; kit does not include index numbers 3, 4, 13, 14, 21, 22, 24, 29, 30, 31, 36, 38 and 40; from SN 16868</i>		17	28236GT	DECAL,WARN,IMPROPER OPERATION	1
--	82003GT	DECAL KIT,SFTY/INST.45IC,DSL <i>Deutz and Perkins models; kit does not include index numbers 3, 4, 8, 12, 13, 14, 21, 22, 24, 29, 30, 31, 36, 38 and 40; from SN 16868</i>		18	28176GT	DECAL,LABEL,MANUAL NOT HERE	1
1	31060GT	DECAL,DANGER DO NOT ALTER SWTC	3	19	30080GT	DECAL,NOTICE,MAX LOAD 500 LBS	1
2	28161GT	DECAL,WARN,CRUSH HAZARD HAND	3	20	28165GT	DECAL,INSTRUCT,FOOTSWITCH OPER	1
3	28174GT	DECAL, POWER TO PLATFORM 230V**	2	21	44981GT	DECAL,LABEL, AIR LINE 110 PSI	2
3	28235GT	DECAL,POWER TO PLATFORM 115V	2	22	44986GT	DECAL,INSTR,SIDE FRC/WIND,AUS	1
4	28157GT	DECAL,USE DEXRON*** <i>to SN 20925</i>	1			<i>CE Models</i>	
4	82366GT	DECAL,CHEVRON RANDO HD <i>from SN 20926</i>	1	22	97887GT	DECAL,INSTR,MAX SIDE FRC,ANSI	1
5	27564GT	DECAL,DANGER,ELEC.HAZ.STAY CLR	2			<i>ANSI and CSA Models</i>	
6	43647GT	DECAL,NOTICE,OPER INST.IC***	2	23	28177GT	DECAL,WARN,CRUSH HAZARD PLAT	2
7	97890GT	DECAL,DANGER,GEN SAFETY RULES	2	24	49741GT	DECAL,NOTICE,FORD EFI ENG SPEC	1
8	52607GT	DECAL,LABEL,TEST*** <i>Ford Models</i>	1	24	52784GT	DECAL,NOTICE,DEUTZ ENG SPEC***	1
9	52511GT	DECAL,GROUND CONTROL PANEL <i>to SN 16867</i>	1	24	72085GT	DECAL,NOTICE,PERKINS ENG SPEC	1
9	72442GT	DECAL, GROUND CONTROL PANEL <i>from SN 16868</i>	1	25	25994GT	DECAL,NOTICE,SHUTOFF VALVES	1
10	43663GT	DECAL,NOTICE, FUNCTION ENABLE*	1	26	28164GT	DECAL,NOTICE,HAZARDOUS MAT'LS*	1
11	28158GT	DECAL,LABEL,UNLEADED GAS ONLY	1	27	28175GT	DECAL,WARNING-COMPART ACCESS	1
11	28159GT	DECAL,DIESEL	1	28	28171GT	DECAL,DANGER,NO SMOKING ***	1
12	28160GT	DECAL,LABEL,LIQUID PROPANE <i>Ford Models</i>	2	29	77046GT	SERIAL # LABEL,MYLAR 4X8***	1
13	43595GT	DECAL,DANGER,TIP-OVER,TIRES*** <i>Narrow Models</i>	4	30	77183GT	FILM,POLY,CLEAR,4.5 X 8.75	1
				31	62947GT	DECAL,COSMETIC,IC POWER 4 X 2	1
				31	62948GT	DECAL,COSMETIC,IC POWER 4 X 4	1
				32	27205GT	DECAL,ARROW YELLOW LRG 9"	1
				33	27206GT	DECAL,TRIANGLE,BLUE	2
				34	27207GT	DECAL,TRIANGLE,YELLOW	2
				35	27204GT	DECAL,ARROW BLUE	1
				36	52968GT	DECAL,COSMETIC,GENIE BOOM,VERT	1
				37	28181GT	DECAL,WARN,FALL HAZARD	1
				38	62926GT	DECAL,COSMETIC,GENIE Z-45/25J	1
				38	62927GT	DECAL,COSMETIC,GENIE Z-45/25	1
				39	32726GT	DECAL,OPTION GLOW PLUGS*** <i>Diesel models</i>	1

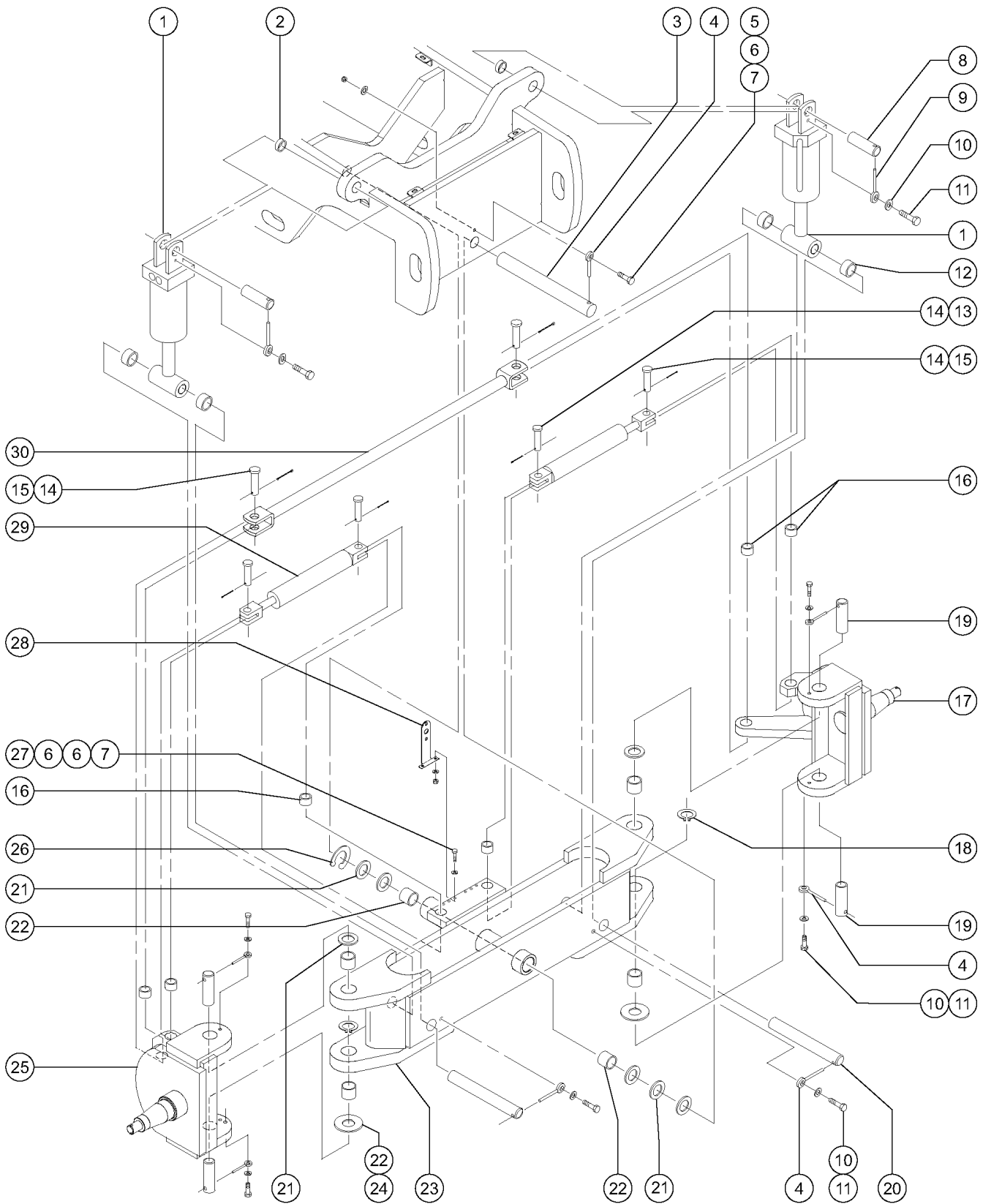


101.1 Decals and Paint
(continued)

Item	Part No.	Description	Qty.
39	32728GT	DECAL,OPTION GENERATOR***.....1	1
39	44769GT	DECAL,LABEL,LFT/DRV SELECT.....1 <i>to SN 10633</i>	1
39	52230GT	DECAL,PLATFORM CTRL PANEL***.....1 <i>models with red cover switch; to SN 16867</i>	1
39	72441GT	DECAL,PLATFORM CONTROL PANEL **.....1 <i>models without red cover switch; from SN 16868</i>	1
39	72867GT	DECAL,LABEL,LIGHTS***.....1	1
40	52251GT	DECAL,PROTECTOR,CLEAR,PLATE***.1	1

This Page Intentionally Left Blank

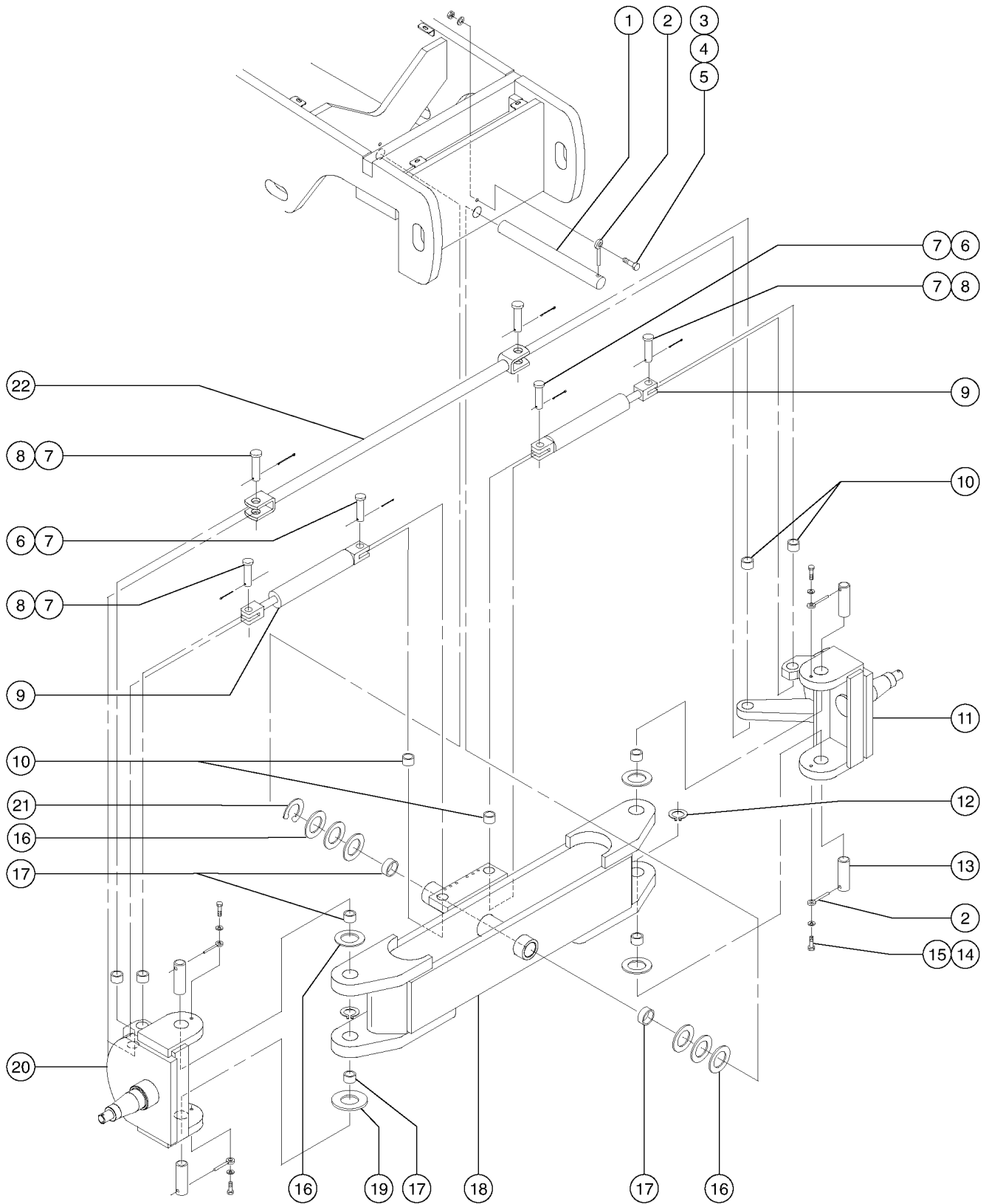
201.1 Steer Axle Linkage - Oscillate Models



201.1 Steer Axle Linkage - Oscillate Models

Item	Part No.	Description	Qty.	Item	Part No.	Description	Qty.
1	54567GT	CYLINDER,OSCILLATE,Z45*** <i>includes 2 each index number 12</i>	2	29	59076GT	SEAL KIT,2.0" BORE CYLINDERS** <i>for cylinder 59049</i>	
--	147285GT	SEAL KIT,147261 <i>for cylinder 147261</i>		29	59169GT	SEAL KIT,2" BORE,1" ROD*** <i>for cylinder 59156, 59301 and 59341</i>	
--	52759GT	SEAL KIT,50316 CYLINDER.....2 <i>for cylinder 50316</i>	2	29	88337GT	CYLINDER,STEER.....2	
--	65791GT	SEAL KIT,CYL,Z45 (54567).....2 <i>for cylinder 54567</i>	2	29	88338GT	SEAL KIT, 88337 <i>for cylinder 88337</i>	
--	77409GT	VALVE,COUNTERBALANCE,1000 ATM.....2	2	30	50328-SGT	TIE ROD WELDMENT.....1	
2	50560GT	BEARING,1.25IDX1.50ODX1.50L.....2	2	Footnotes			
3	54542GT	PIN,1.50DIA X 2.00LG,CHAMFER.....1	1	1: Quantity listed for this item is approximate. Actual quantity may vary to ensure proper fit.			
4	825019GT	ROD END,.375X3.69,ZAG.....7	7				
5	6708GT	SCREW,HHC,3/8-16 X 2.25.....1	1				
6	5397GT	WASHER,FLAT,USS,5/16",Y.....7	7				
7	4828GT	NUT,NYLOCK,3/8-16.....3	3				
8	50742GT	PIN,1.25DIA X 3.75LG,1HOLE.....2	2				
9	1255452GT	ROD END,.375 X 2.25,ZAG.....2	2				
10	6021GT	WASHER,LOCK,.375.....8	8				
11	6175GT	SCREW,HHC,3/8-16 X 1.....8	8				
12	25683GT	BEARING,POLYGON,20DU12.....4	4				
13	19440GT	PIN,CLEVIS,1 X 2.5 LG.....2 <i>from SN 20459</i>	2				
13	32399GT	PIN,CLEVIS,1 X 3 LG.....2 <i>to SN 20458</i>	2				
14	74389GT	RUE RING,1.00.....6	6				
15	19440GT	PIN,CLEVIS,1 X 2.5 LG.....4	4				
16	25817GT	BEARING,1.00IDX1.25ODX1.00L.....6	6				
17	52733-SGT	YOKE ASSY.LH'2WD'Z45IC.....1 <i>includes 2 each index number 16</i>	1				
18	825796GT	SNAP RING,EXTERNAL,1.50,ZAG.....2	2				
19	88752GT	PIN,1.50DIA X 4.25LG,GR/H.....4	4				
20	36198GT	PIN,1.25DIA X 8.12LG,1HOLE.....2	2				
21	18596GT	WASHER,FLAT,1.56 X 2.5 X .061.....7 1	7				
22	45071GT	BEARING,1.5IDX1.75ODX1.5L.....6	6				
23	52706-SGT	FRONT AXLE ASSY,WIDE,Z45/25 IC.....1 <i>includes index number 22 and 2 each of index number 16</i>	1				
24	45074GT	WASHER,THRUST,1.5 X 3.5 X .187.....2	2				
25	52734-SGT	YOKE ASSY.RH'2WD'Z45IC.....1 <i>includes 2 each index number 16</i>	1				
26	54557GT	SHIM,AXLE PIN,1.50".....1	1				
27	5224GT	SCREW,HHC,3/8-16 X 2.....2	2				
28	50900GT	BRACKET,OSC HOSE BULKHEAD.....1	1				
29	52739GT	SEAL KIT (60064) <i>for cylinder 60064</i>					

202.1 Steer Axle Linkage - Non-oscillate Models



202.1 Steer Axle Linkage - Non-oscillate Models

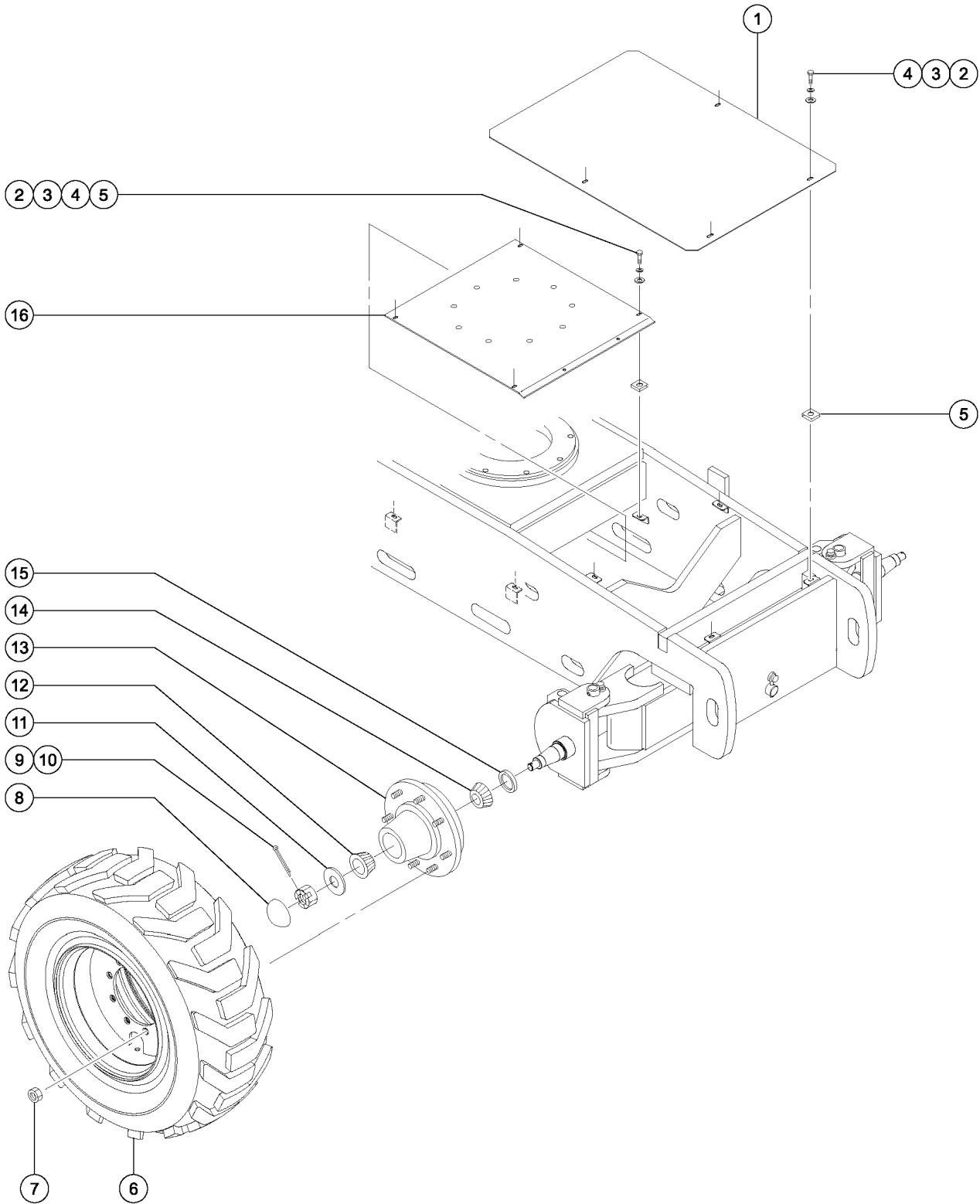
Item	Part No.	Description	Qty.
1	54542GT	PIN,1.50DIAX20.00LG,CHAMFER.....1	
2	825019GT	ROD END,.375X3.69,ZAG.....5	
3	6708GT	SCREW,HHC,3/8-16 X 2.25.....1	
4	5397GT	WASHER,FLAT,USS,5/16",Y.....1	
5	4828GT	NUT,NYLOCK,3/8-16.....1	
6	19440GT	PIN,CLEVIS,1 X 2.5 LG.....2 <i>from SN 20459</i>	
6	32399GT	PIN,CLEVIS,1 X 3 LG.....2 <i>to SN 20458</i>	
7	74389GT	RUE RING,1.00.....6	
8	19440GT	PIN,CLEVIS,1 X 2.5 LG.....4	
9	48401GT	SEAL KIT,42406,STEER.CYL,TEXAS <i>for cylinder 74957</i>	
9	52739GT	SEAL KIT (60064) <i>for cylinder 60064</i>	
9	59076GT	SEAL KIT,2.0" BORE CYLINDERS** <i>for cylinder 59049 and 59203</i>	
9	59169GT	SEAL KIT,2" BORE,1" ROD*** <i>for cylinder 59155, 59156, 59301, 59341 and 59388</i>	
9	88337GT	CYLINDER,STEER.....2	
9	88338GT	SEAL KIT, 88337 <i>for cylinder 88337</i>	
10	25817GT	BEARING,1.00IDX1.25ODX1.00L.....6	
11	52733-SGT	YOKE ASSY.LH'2WD'Z45IC.....1 <i>includes 2 each index number 10</i>	
12	825796GT	SNAP RING,EXTERNAL,1.50,ZAG.....2	
13	88752GT	PIN,1.50DIAX4.25LG,GR/H.....4	
14	6175GT	SCREW,HHC,3/8-16 X 1.....4	
15	6021GT	WASHER,LOCK,.375.....4	
16	18596GT	WASHER,FLAT,1.56 X 2.5 X .061.....7 1	
17	45071GT	BEARING,1.5IDX1.75ODX1.5L.....6	
18	52706-SGT	FRONT AXLE ASSY,WIDE,Z45/25 IC.....1 <i>Wide Models; includes 2 each of index number 10 and 6 each of index number 17</i>	
18	52735GT	FRONT AXLE ASSY,NRRW,Z45/25.....1 <i>Narrow Models; includes 2 each of index number 10 and 6 each of index number 17</i>	
19	45074GT	WASHER,THRUST,1.5 X 3.5 X .187.....2	
20	52734-SGT	YOKE ASSY.RH'2WD'Z45IC.....1 <i>includes 2 each of index number 10</i>	
21	54557GT	SHIM,AXLE PIN,1.50".....1	
22	229798GT	TIE ROD WELDMENT, NARROW.....1	
22	50328-SGT	TIE ROD WELDMENT.....1 <i>Wide Models</i>	

Item	Part No.	Description	Qty.
------	----------	-------------	------

Footnotes

1: Quantity listed for this item is approximate. Actual quantity may vary to ensure proper fit.

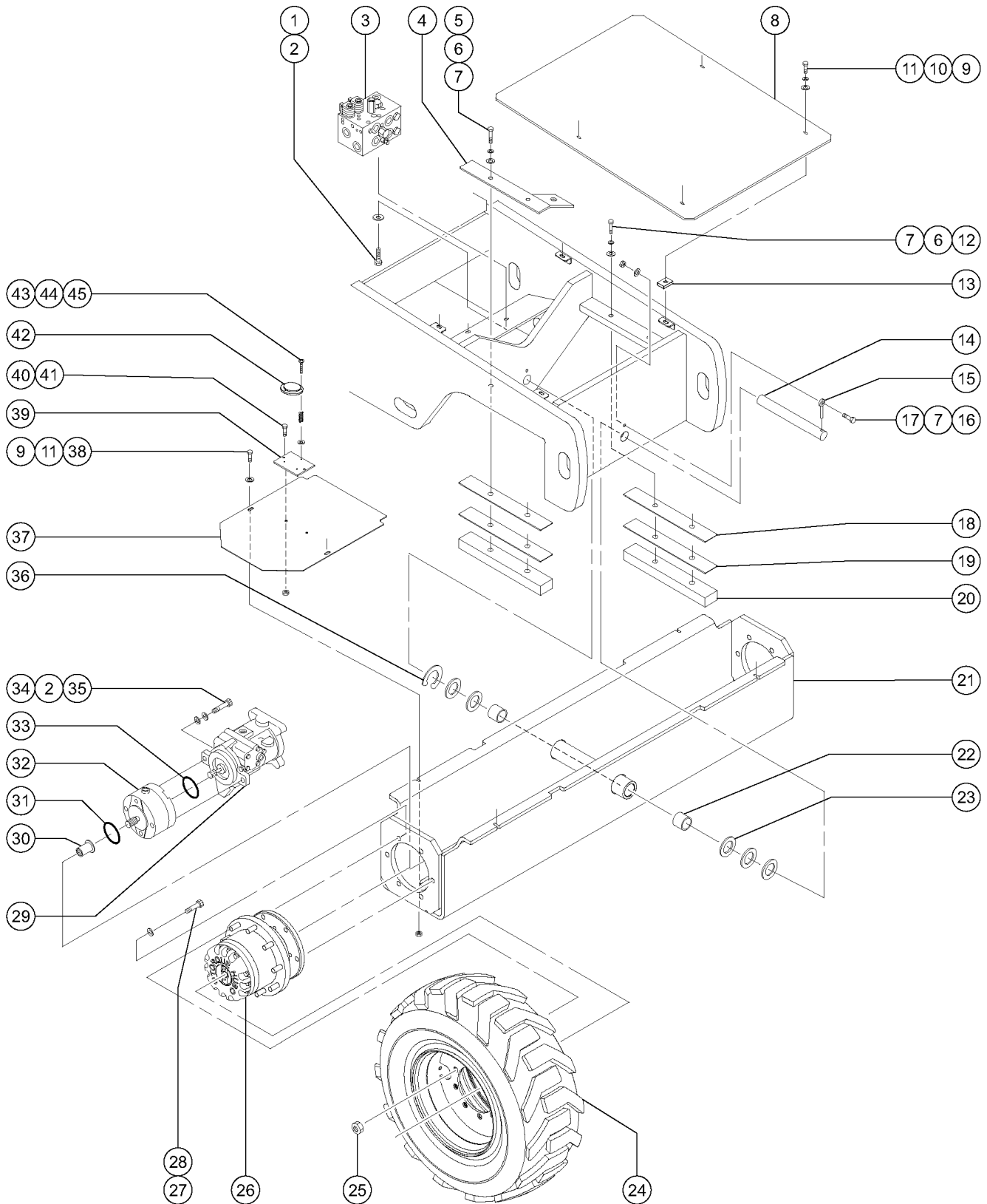
203.1 Steer Axle Wheels and Hubs



203.1 Steer Axle Wheels and Hubs

Item	Part No.	Description	Qty.	Item	Part No.	Description	Qty.
1	52731GT	COVER W/DECALS,STEER,OSC,Z45....1 <i>Oscillate Models</i>	1	6	54927GT	WHEEL&TIRE,LF,FOA,RT,N/MARK2WD to SN 16127; RT, Foam-filled, Non-marking	
1	77434GT	COVER W/DECALS,STEER,NON OSC.....1 <i>Shown; Non-oscillate Models</i>	1	6	54928GT	WHEEL&TIRE,RF,AIR,RT,N/MARK2WD to SN 16127; RT, Air-filled, Non-marking	
2	6888GT	SCREW,HHC,1/4-20 X 1.....8	8	6	54929GT	WHEEL&TIRE,RF,FOA,RT,N/MARK2WD to SN 16127; RT, Foam-filled, Non-marking	
3	6356GT	WASHER,LOCK,.25.....8	8	6	60059GT	TIRE,14-17.5 NHS,RT,14PLY,112# to SN 16127; RT	
4	6638GT	WASHER,FLAT,USS,1/4"Y.....8	8	6	60082GT	WHEEL & TIRE ASSY,LF,2WD,FOAM to SN 16127; RT, Foam-filled	
5	56912GT	SPRING CLIP,1/4-20,.025-.15X.54,ZAG.....8	8	6	60083GT	WHEEL & TIRE ASSY,RF,2WD,FOAM to SN 16127; RT, Foam-filled	
6	1267779GT	TIRE/WH ASSY,9 LG,FOAM,S FRONT from SN 16128; Industrial, Foam-filled (steer end)		6	60084GT	WHEEL & TIRE ASSEMBLY,LR/RF,FM from SN 16128; RT, Foam-filled	
6	1267781GT	TIRE/WH ASSY,9 LG,NM,FOAM,S FR from SN 16128; Industrial, Foam-filled, Non-marking (steer end)		6	60085GT	WHEEL & TIRE ASSEMBLY,RR/LF,FM from SN 16128; RT, Foam-filled	
6	50919GT	WHEEL,17.50 X 10.5(9 HOLES)63#		7	54627GT	NUT,LUG,5/8-18 X 90 DEGREE,Z45.....16	
6	50920GT	WHEEL/TIRE ASSEMBLY,RR/LF 248#...2 from SN 16128; RT, Air-filled	2	8	54959GT	CAP,DUST (54840 HUB ASSY).....2	
6	50943GT	WHEEL,17.50 X 10.5,8 HOLE/8 BC		9	45114GT	PIN,COTTER,.219 X 1.75.....2	
6	50944GT	WHEEL & TIRE ASSY,RF,2WD.....2 to SN 16127; RT, Air-filled	2	10	45113GT	NUT,SPINDLE,1-14.....2	
6	50954GT	WHEEL & TIRE ASSY,LF,2WD to SN 16127; RT, Air-filled		11	45112GT	WASHER,SPINDLE.....2	
6	50955GT	WHEEL & TIRE ASSY,LR/RF 248# from SN 16128; RT, Air-filled		12	54962GT	BEARING,OUTER,9 BOLT HUB***2	
6	54138GT	WHEEL,14.5 X 7 (8 ON 8 BC) 31#		13A	45043GT	HUB ASSEMBLY MODEL#60-8***2 includes index numbers 9, 10, 12, 14 and 15; to SN 16127	
6	54139GT	WHEEL,14.5 X 7		--	21166GT	LUG BOLT,5/8-18,WHEEL HUB***6	
6	54140GT	TUBELESS PNEUMATIC TIRE,9-14LT from SN 16128; Industrial		--	45873GT	SEAL/BEARING KIT (45043,54840).....2 includes index numbers 12, 14 and 15	
6	54142GT	TIRE & WHEEL ASSY,8 ON 8,FOAM to SN 16127; Industrial, Foam-filled		13B	54840GT	HUB ASSEMBLY,9 BOLT***2 includes index numbers 9, 10, 12, 14 and 15; from SN 16128	
6	54234GT	TUBELESS TIRE,9-14.5,NON-M 47# from SN 16128; Industrial, Non-marking		--	21166GT	LUG BOLT,5/8-18,WHEEL HUB***	
6	54237GT	TIRE ASSY,8 ON 8,N/MARK,FOAM to SN 16127; Industrial, Foam-filled, Non-marking		--	45873GT	SEAL/BEARING KIT (45043,54840).....2 includes index numbers 12, 14 and 15	
6	54610GT	WHEEL&TIRE,RR/LF,AIR,RT,N/MARK from SN 16128; RT, Air-filled, Non-marking		--	54627GT	NUT,LUG,5/8-18 X 90 DEGREE,Z45	
6	54611GT	WHEEL&TIRE,LR/RF,AIR,RT,N/MARK from SN 16128; RT, Air-filled, Non-marking		14	54961GT	BEARING,INNER,9 BOLT HUB***2	
6	54612GT	WHEEL&TIRE,RR/LF,FOA,RT,N/MARK from SN 16128; RT, Foam-filled, Non-marking		15	54960GT	SEAL-GREASE,9-BOLT HUB 54840.....2	
6	54613GT	WHEEL&TIRE,LR/RF,FOA,RT,N/MARK from SN 16128; RT, Foam-filled, Non-marking		16	50028PGT	FORMING,BELLY PAN,PAINTED.....1	
6	54614GT	TIRE,14-17.5,NHS,N/MARK,14PLY to SN 16127; RT, Non-marking					
6	54926GT	WHEEL&TIRE,LF,AIR,RT,N/MARK2WD to SN 16127; RT, Air-filled, Non-marking					

204.1 Non-steer Axle



204.1 Non-steer Axle

Item	Part No.	Description	Qty.	Item	Part No.	Description	Qty.
1	10597GT	SCREW,HHC,1/2-13 X 1.25 GR5.....	2	23	18596GT	WASHER,FLAT,1.56 X 2.5 X .061.....	7
2	6033GT	WASHER,LOCK,0.5".....	2			1	
3		Ref. Manifold - Drive, 2WD (refer to Figure 2-E).....	2	24	50920GT	WHEEL/TIRE ASSEMBLY,RR/LF 248#...2	
4		Ref., PLATE,BRACKET,OSC VALVE.....	1	--	1267780GT	TIRE/WH ASSY,9 LG,FOAM,NS REAR	
		<i>Oscillate models (refer to 206.1)</i>				<i>Industrial, Foam-filled (steer end)</i>	
5	6708GT	SCREW,HHC,3/8-16 X 2.25.....	2	--	1267782GT	TIRE/WH ASSY,9LG,NM,FOAM,NS RE	
		<i>Non-oscillate models</i>				<i>Industrial, Foam-filled, Non-marking</i>	
--	14033GT	SCREW,HHC,3/8-16 X 2.75.....	2			<i>(non-steer end)</i>	
		<i>Oscillate models</i>		--	50919GT	WHEEL,17.50 X 10.5(9 HOLES)63#	
6	6021GT	WASHER,LOCK,.375.....	4	--	50955GT	WHEEL & TIRE ASSY,LR/RF 248#	
7	5397GT	WASHER,FLAT,USS,5/16",Y.....	5			<i>RT, Air-filled</i>	
8	52707-SGT	COVR W/DECALS,NON-STEER		--	54139GT	WHEEL,14.5 X 7	
		Z45/25.....	1	--	54140GT	TUBELESS PNEUMATIC TIRE,9-14LT	
9	6888GT	SCREW,HHC,1/4-20 X 1.....	8			<i>Industrial</i>	
10	6356GT	WASHER,LOCK,.25.....	4	--	54234GT	TUBELESS TIRE,9-14.5,NON-M 47#	
11	6638GT	WASHER,FLAT,USS,1/4"Y.....	8			<i>Industrial, Non-marking</i>	
12	6708GT	SCREW,HHC,3/8-16 X 2.25.....	3	--	54610GT	WHEEL&TIRE,RR/LF,AIR,RT,N/MARK	
13	56912GT	SPRING				<i>RT, Air-filled, Non-marking</i>	
		CLIP,1/4-20,.025-.15X.54,ZAG.....	4	--	54611GT	WHEEL&TIRE,LR/RF,AIR,RT,N/MARK	
14	54542GT	PIN,1.50DIAX20.00LG,CHAMFER.....	1			<i>RT, Air-filled, Non-marking</i>	
15	825019GT	ROD END,.375X3.69,ZAG.....	1	--	54612GT	WHEEL&TIRE,RR/LF,FOA,RT,N/MARK	
16	6175GT	SCREW,HHC,3/8-16 X 1.....	1			<i>RT, Foam-filled, Non-marking</i>	
17	4828GT	NUT,NYLOCK,3/8-16.....	1	--	54613GT	WHEEL&TIRE,LR/RF,FOA,RT,N/MARK	
18	50669GT	SHIM,AXLE ROTATION STOP,22GA.....	2			<i>RT, Foam-filled, Non-marking</i>	
		1		--	54614GT	TIRE,14-17.5,NHS,N/MARK,14PLY	
19	119210GT	SHIM,AXLE ROTATION STOP,12GA.....	2			<i>RT, Non-marking</i>	
		1		--	60059GT	TIRE,14-17.5 NHS,RT,14PLY,112#	
20	50668GT	BAR,AXLE ROTATION				<i>RT</i>	
		STOP,NON-OSC.....	2	--	60084GT	WHEEL & TIRE ASSEMBLY,LR/RF,FM	
		<i>Non-oscillate models</i>				<i>RT, Foam-filled</i>	
--	50667GT	BAR,AXLE ROTATION STOP,OSC.....	2	--	60085GT	WHEEL & TIRE ASSEMBLY,RR/LF,FM	
		<i>Oscillate models</i>				<i>RT, Foam-filled</i>	
21A	52727GT	AXLE ASSY,NON-STR,WIDE BASE.....	1	25	54627GT	NUT,LUG,5/8-18 X 90 DEGREE,Z45.....	18
		<i>includes 2 each of index number 22; to SN 17543</i>		26A	20193GT	TORQUE HUB,35:1***.....	2
--	77243GT	FORMED AXLE,WIDE,W/BEARINGS.....	1			<i>to SN 13725</i>	
		<i>includes 2 each of number index 22; from SN 17544</i>		--	1286606GT	SEAL KIT,TORQUE HUB (20193)	
21B	52732GT	AXLE ASSY,NON-STR,NARROW		--	1286607GT	BEARING KIT,TORQUE HUB (20193)	
		BASE.....	1			<i>for 20193</i>	
		<i>includes 2 each of index number 22; to SN 17543</i>		--	21143GT	BEARING KIT (45553) TORQUE HUB	
--	77302GT	AXLE ASSY,NON-STR,NARROW				<i>for 20193 (inventory limited to stock on hand as component is no longer available)</i>	
		BASE.....	1	--	21144GT	CAP,DISENGAGE-45553 TORQUE HUB	
		<i>includes 2 each of number index 22; from SN 17544</i>		--	21145GT	DISCONNECT ROD-45553 TQ.HUB	
22	45071GT	BEARING,1.5IDX1.75ODX1.5L.....	2	--	21146GT	COVER CAP,TORQUE HUB***	
				--	21148GT	WASHER,THRUST,TORQUE HUB	
				--	21149GT	LUG,WHEEL STUD,5/8-18,W1/4HB**	
				--	37097GT	O-RING, TORQUE HUB	
				--	58438GT	KIT,COVER,TORQUE HUB,45553***	



204.1 Non-steer Axle
(continued)

Item	Part No.	Description	Qty.	Item	Part No.	Description	Qty.
--	58589GT	THRUST CAP (20193)		--	146051GT	BEARING NUT*** for 106148	
26B	56338GT	TORQUE HUB,47:1 W1 "B" MOUNT**....2 from SN 13726 to 17092		--	146052GT	SET SCREW*** for 146051	
--	1286606GT	SEAL KIT,TORQUE HUB (20193) for 56338		--	215777GT	INPUT CARRIER, SUB-ASSEMBLY for 106148	
--	21143GT	BEARING KIT (45553) TORQUE HUB		--	232486GT	SNAP RING,WHEEL DRIVE for 106148	
--	21144GT	CAP,DISENGAGE-45553 TORQUE HUB		--	37097GT	O-RING, TORQUE HUB for 74097	
--	21146GT	COVER CAP,TORQUE HUB***		--	58246GT	SPACER,THRUST*** for 74097	
--	21148GT	WASHER,THRUST,TORQUE HUB		--	58320GT	KIT,TORQUE HUB COVER(101584)** for 106148	
--	21149GT	LUG,WHEEL STUD,5/8-18,W1/4HB**		--	58428GT	DISCONNECT ROD (74097) for 74097	
--	37097GT	O-RING, TORQUE HUB		--	58438GT	KIT,COVER,TORQUE HUB,45553*** for 74097	
--	58438GT	KIT,COVER,TORQUE HUB,45553***		--	72307GT	SEAL KIT, TORQUE HUB(74097)* for 74097	
--	58448GT	KIT,TORQUE HUB COVER (45553)**		--	74375GT	WASHER,THRUST,TORQUE HUB,74097 for 74097	
--	74099GT	DISCONNECT ROD (56338)		--	74714GT	BEARING KIT-74097 TORQUE HUB** for 74097 (inventory limited to stock on hand as component is no longer available)	
26C	106148GT	WHEEL DRIVE,4HB,48:1***.....2 from SN 17093; change to wheel drive requires replacement of both drive hubs at first-time replacement; after first-time replacement, refer to 'for 106148' below		--	83110GT	COVER END,TORQUE HUB (74097) for 74097	
--	106117GT	O-RING,2-010,VITON for 106148 (Mating O-ring for Brake Port)(Extremely small)		--	9990074GT	COUPLING for 106148 (brake coupler)	
--	106120GT	WHEEL STUD, 4HP, 5/8-18*** for 106148		27	29883GT	SCREW,HHC,5/8-11 X 1.75 GRD.8.....12	
--	106121GT	ROD,DISCONNECT 4HP/4HB*** for 106148		28	13064GT	WASHER,FLAT,.625 HARDENED.....12	
--	106122GT	CAP,DISENGAGE,4HP/4HB*** for 106148		29A	50420GT	MOTOR,HYD DRIVE,2 SPEED,2WD.....2 to SN 13725	
--	106123GT	O-RING,END COVER,4HP/4HB*** for 106148		--	27067GT	SEAL,SHAFT-SUNDSTRAND***	
--	106124GT	LINING KIT, BRAKE, 4HP*** for 106148		--	65865GT	SEAL KIT, SUNSTRAND	
--	106125GT	SEAL KIT, BRAKE, 4HP for 106148 (inventory limited to stock on hand as component is no longer available)		29B	54412GT	MOTOR,HYD,LV35,VAR,10DEG,2WD.....2 from SN 13726	
--	106126GT	BEARING KIT,4HP for 106148 (inventory limited to stock on hand as component is no longer available)		--	27067GT	SEAL,SHAFT-SUNDSTRAND***	
--	1286600GT	SEAL KIT,WHEEL DRIVE (106148/106445/107712) for 106148 (inventory limited to stock on hand as component is no longer available)		--	65534GT	SEAL KIT-DRIVE MOTOR (replaced 65609)	
--	1286601GT	BEARING KIT,WHEEL DRIVE (106148/106445/107712) for 74097		30	38113GT	COUPLER,INTERNAL SPLINE,T-HUB	
--	1286602GT	SEAL KIT,WHEEL DRIVE W/BRAKE (101584/101585) for 106148		31	52087GT	O-RING,2-044 BUNA***	
--	1286603GT	BEARING KIT,WHEEL DRIVE W/BRAKE (101584/101585) for 106148		32A	41912GT	BRAKE,MICO,1200 IN/LB***.....2 to SN 12197	
				--	41918GT	LINING KIT,MICO BRAKE	
				--	41921GT	SEAL KIT,BRAKE,MICO	
				--	41922GT	BEARING KIT,BRAKE,MICO	
				--	72319GT	SPRING (RED) MICO For 41912; 8 required per brake	
				32B	106150GT	BRAKE,SAE B-B,900IN LB***.....2 from SN 12198 to 21178	



204.1 Non-steer Axle
(continued)

Item	Part No.	Description	Qty.
--	106403GT	LINING KIT,BRK,WET*** <i>for 106150 Ausco brake</i>	
--	65606GT	SEAL KIT, AUSCO BRAKE(54388) <i>for 54388 Ausco brake</i>	
--	65607GT	LINING KIT, AUSCO BRAKE(54388) <i>for 54388 Ausco brake</i>	
--	65608GT	BEARING KIT, AUSCO*** <i>for 74294 Ausco brake</i>	
--	65618GT	SEAL KIT,BRAKE*** <i>for 106150 Ausco brake</i>	
--	77239GT	LINING KIT,AUSCO BRAKE*** <i>for 74294 Ausco brake</i>	
--	77240GT	SEAL KIT, AUSCO BRAKE*** <i>for 74294 Ausco brake</i>	
--	94880GT	BEARING KIT <i>for 106150 Ausco brake</i>	
33	22811GT	O-RING,MOTOR TO BRAKE***.....	2
34	56680GT	SCREW,SHC,1/2-13 X 4.50 ZINC.....	4
--	42360GT	SCREW,SHC,1/2-13 X 4 ZINC.....	4
35	6033GT	WASHER,LOCK,0.5".....	4
36	54557GT	SHIM,AXLE PIN,1.50".....	1
37A	50355-SGT	COVER,DRIVE CHASSIS MOTOR.....	2
--	70655PGT	AXLE COVER, NARROW, PAINTED.....	2
--	77020PGT	COVER,REAR AXLE,WIDE,PAINTED....	2
37B	50768PGT	COVER,REAR AXLE,NARROW,PAINTED.....	2
--	77024PGT	COVER,REAR AXLE,NARROW,PAINTED.....	2
--	77153PGT	COVER,FORMED REAR AXLE,WIDE....	2
38	6889GT	NUT,LP NYLOCK,1/4-20.....	4
39	77013GT	BRACKET,BUBBLE LEVEL**%.....	1
--	77152GT	BRACKET,BUBBLE LEVEL.....	1
40	6090GT	SCREW,HHC,1/4-20 X .75.....	2
41	6091GT	NUT,NYLOCK,1/4-20.....	2
--	30996GT	PLUG,NYLON .313 BLACK DOMED.....	4
42	77026GT	LEVEL,BUBBLE,2 DEGREE *.....	1
43	49817GT	SCREW,PHILLIPS,PHM,10-32 X1.25....	3

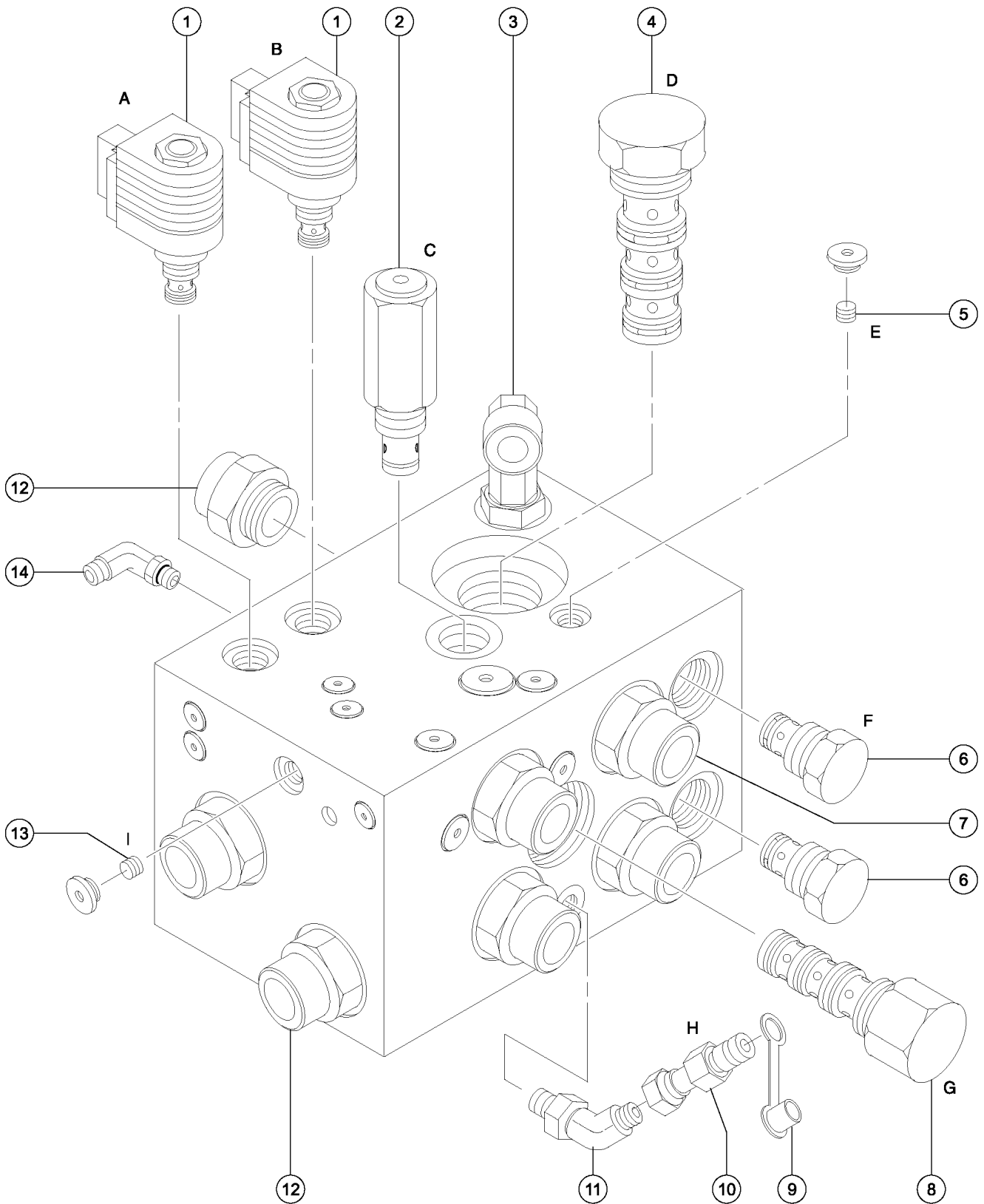
Item	Part No.	Description	Qty.
44	77027GT	SPRING,1X.31 ODX.040WIRE,SS.....	3
45	6146GT	WASHER,FLAT,MS,#10,Y.....	3

Footnotes

1: Quantity listed for this item is approximate. Actual quantity may vary to ensure proper fit.

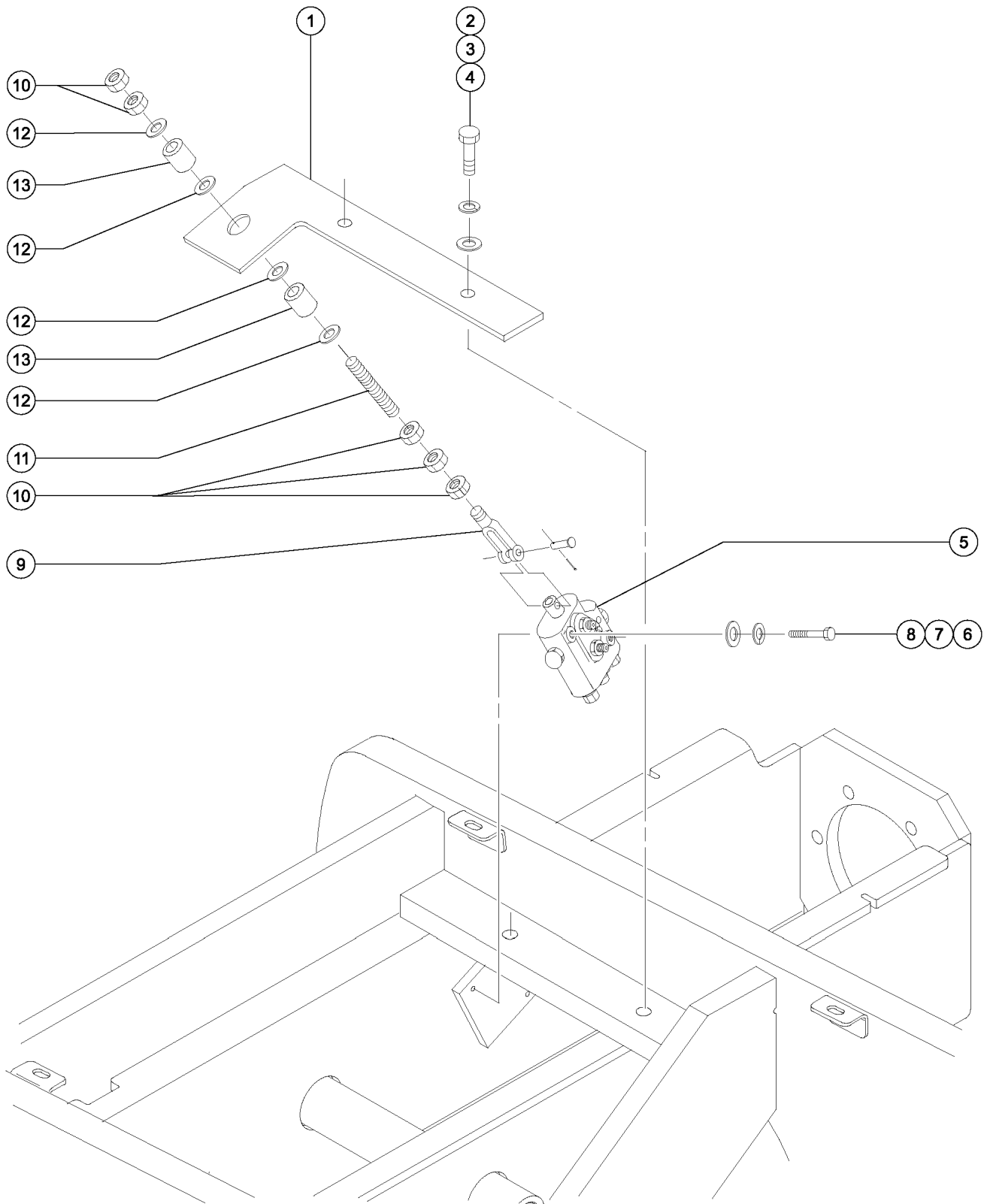


205.1 Drive Manifold



Item	Part No.	Description	Qty.
A		Solenoid valve <i>2-speed motor shift</i>	
B		Solenoid valve <i>Brake Circuit</i>	
C		Relief valve <i>Charge pressure circuit</i>	
D		Flow <i>Controls flow to drive motors</i>	
F		Check valve <i>Drive circuit</i>	
G		Shuttle valve <i>Drive circuit</i>	
H		Diagnostic fitting <i>Testing</i>	
I		Orifice <i>Brake and 2-speed circuit</i>	
--		divider/combiner valve <i>in forward and reverse</i>	
--	28750GT	O-RING KIT,FIELD SVC,ALL PROD*	
--	49612GT	O-RING KIT (ORFS FITTINGS)	
--	49613GT	PLUG AND CAP KIT-SERVICE,ORFS*	
--	50685GT	MANIFOLD,TRACTION,2WD	
--	54700GT	MANIFOLD,2WD TRACT.W/FITINGS	
1	43601GT	COIL,SOLENOID VLV,10V W/ DIODE.....2	
1	45912GT	NUT,SOLENOID VALVE 2P3W.....2	
1	65766GT	VALVE,SOLENOID,10V W/DIODE***2	
2	31406GT	VALVE,RELIEF 250 PSI***.....1	
3	48932GT	FITTING,ELBOW,90D,520220-8***1	
4	52726GT	VALVE,FLOW DIVIDER/COMBINER.....1	
5	77163GT	PLUG-ORIFICE,0.067 INCH.....1	
6	27836GT	VALVE,CHECK,5 PSI.....2	
7	48933GT	CONN,520120-8***4	
8	54572GT	VALVE.....1	
9	48880GT	CAP,DIAGNOSTIC NIPPLE.....1	
10	20224GT	DIAGNOSTIC FEMALE Q-DSCNT.....1	
10	49207GT	NIPPLE,DIAGNOSTIC,ORFS,FM,SWIV..1	
11	48907GT	ELBOW,45D,520320-4.....1	
12	48960GT	FITTING,CONN,520120-12***3	
13	77162GT	PLUG-ORIFICE 0.031 INCH.....1	
14	48904GT	ELBOW,90D,520220-4-4.....2	

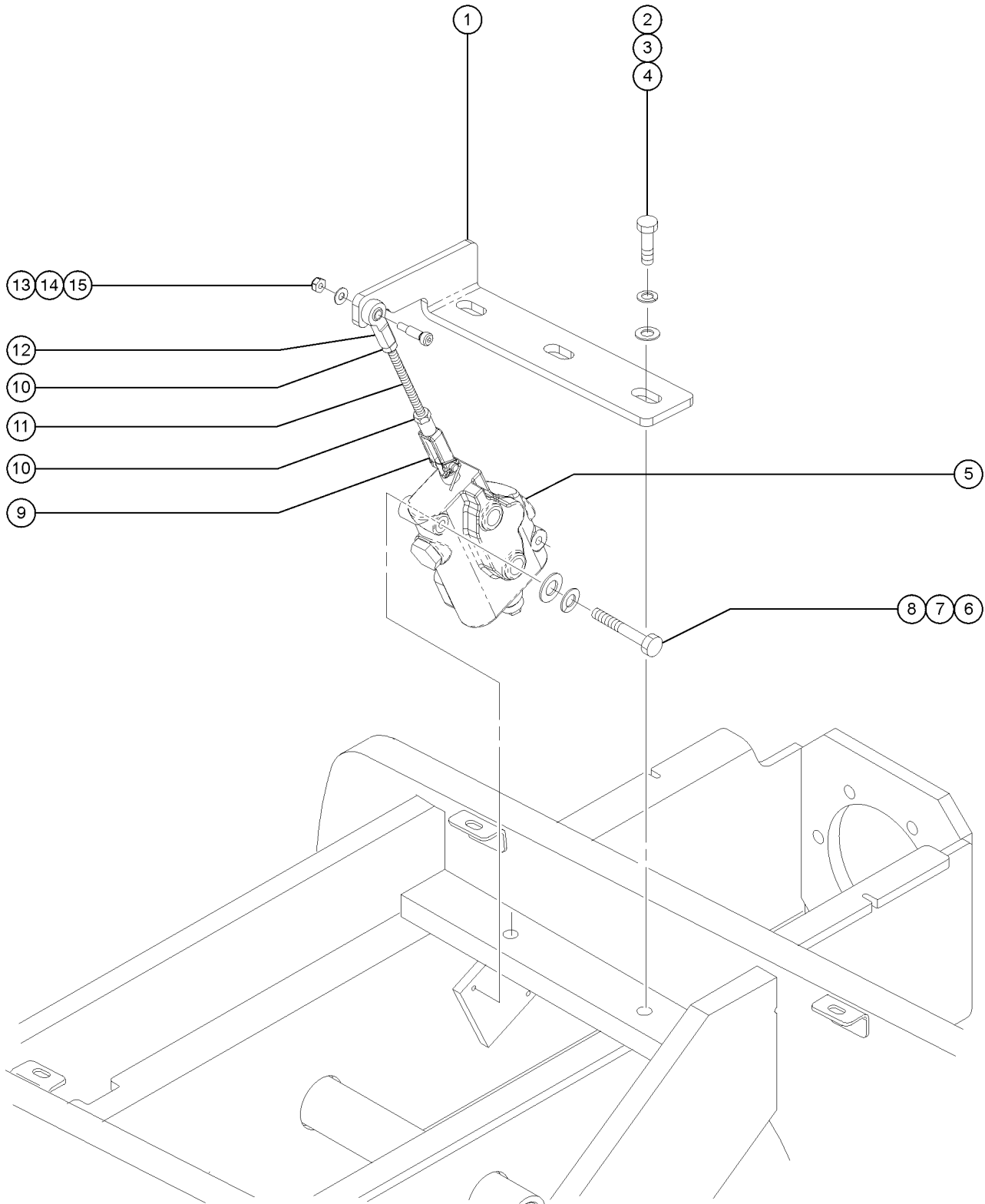
206.1 Oscillation Valve



206.1 Oscillation Valve

Item	Part No.	Description	Qty.
1		Ref., PLATE,BRACKET,OSC VALVE.....1 <i>component no longer available; refer to kit T111453</i>	
2	14033GT	SCREW,HHC,3/8-16 X 2.75.....2	
3	6021GT	WASHER,LOCK,.375.....2	
4	5397GT	WASHER,FLAT,USS,5/16",Y.....2	
5	49768GT	VLV,MAN,3 POS/4 WAY,CLOSE CTR*....1	
--	32681GT	SEAL KIT,CONTROL VALVE.....1	
6	4266GT	SCREW,HHC,1/4-20 X 2.....2	
7	6356GT	WASHER,LOCK,.25.....2	
8	25926GT	WASHER,FLAT,M6 PLTD.....2	
9	21130GT	CLEVIS YOKE-1/4-28,PLTD W/PIN.....1 <i>includes clevis pin and cotter pin</i>	
10	21496GT	NUT,HEX,1/4-28.....5	
11	30785-600GT	THREADED ROD,1/4-28 X 6 IN***.....1	
12	6638GT	WASHER,FLAT,USS,1/4"Y.....4	
13		Ref., SPRING,OSC. LINKAGE,.75"LG....2 <i>component no longer available; refer to kit T111453</i>	

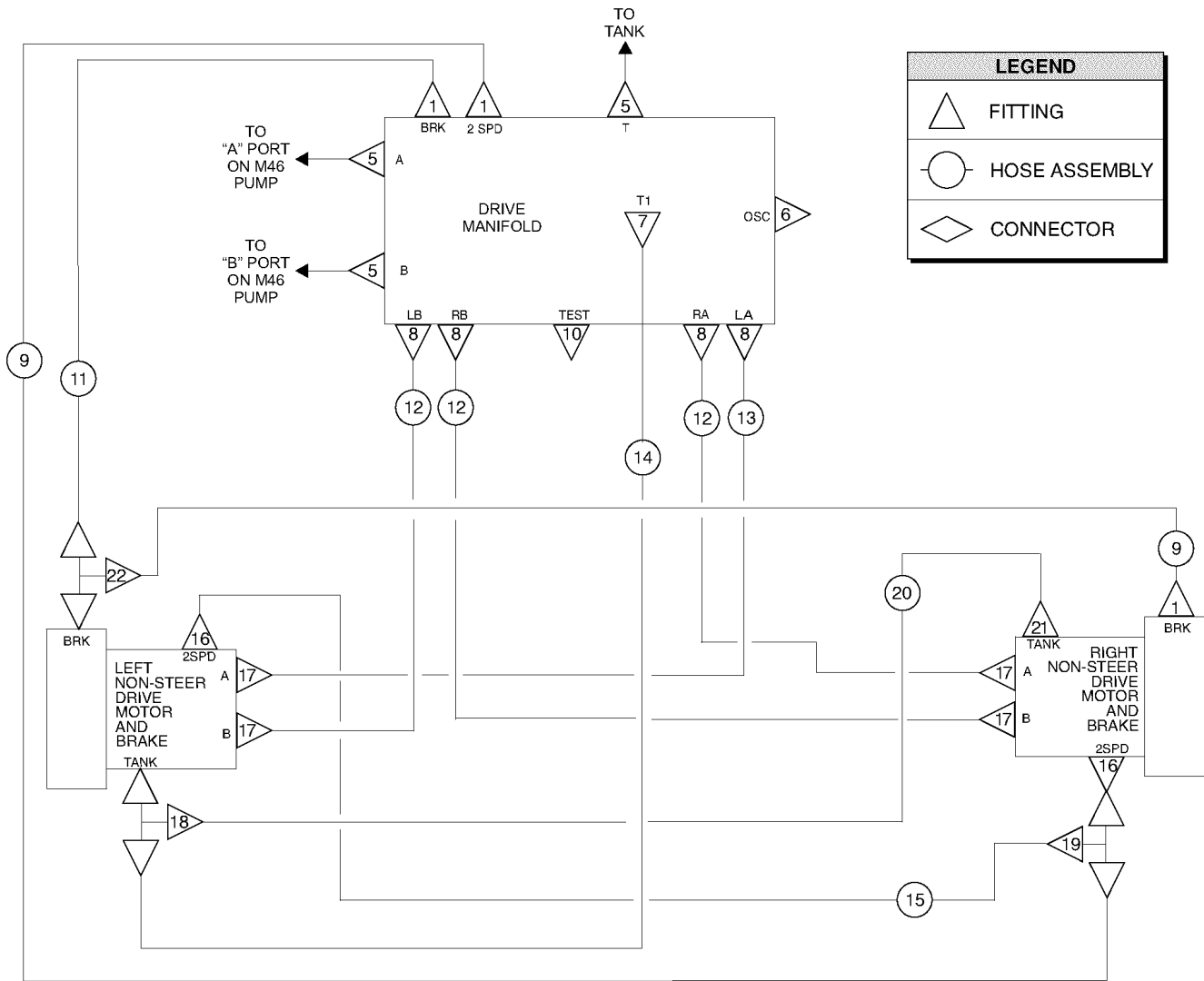
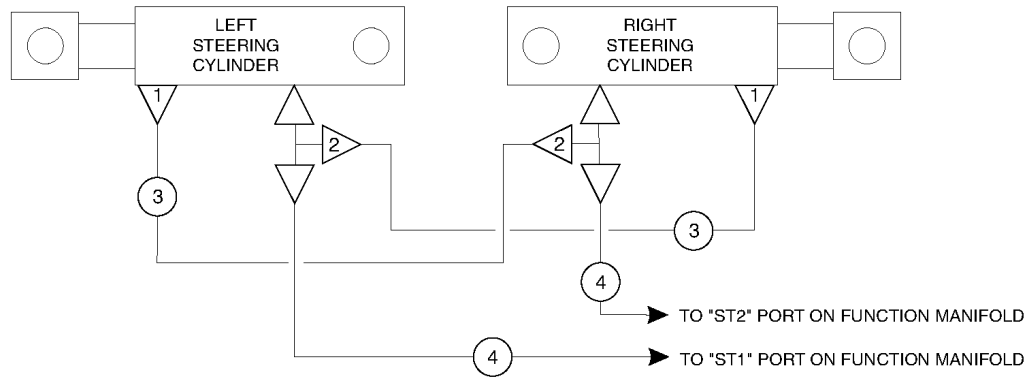
206.2 Oscillation Valve, Kit T111453



206.2 Oscillation Valve, Kit T111453

Item	Part No.	Description	Qty.
--	T111453GT	KIT,OSCILLATE LINKAGE <i>includes items 1 and 9-15</i>	
1	T107284GT	BRACKET,OSCILLATING VALVE.....	1
2	14033GT	SCREW,HHC,3/8-16 X 2.75.....	3
3	6021GT	WASHER,LOCK,,.375.....	3
4	5397GT	WASHER,FLAT,USS,5/16",Y.....	3
5	49768GT	VLV,MAN,3 POS/4 WAY,CLOSE CTR*....	1
--	32681GT	SEAL KIT,CONTROL VALVE <i>for 49768</i>	
6	4266GT	SCREW,HHC,1/4-20 X 2.....	2
7	6356GT	WASHER,LOCK,,.25.....	2
8	6638GT	WASHER,FLAT,USS,1/4"Y.....	2
9	21130GT	CLEVIS YOKE-1/4-28,PLTD W/PIN.....	1
10	21496GT	NUT,HEX,1/4-28.....	2
11	30785-500GT	THREADED ROD,1/4-28 X 5 IN.....	1
12	81691GT	ROD END,BALL JOINT 1/4-28.....	1
13	5365GT	NUT,NYLOCK,10-24.....	1
14	6146GT	WASHER,FLAT,MS,#10,Y.....	1
15	6584GT	SCREW,SHS,10-24 X .625.....	1

207.1 Hydraulic Hoses and Fittings - Drive and Steer System



207.1 Hydraulic Hoses and Fittings - Drive and Steer System

Item	Part No.	Description	Qty.	Item	Part No.	Description	Qty.
--	49612GT	O-RING KIT (ORFS FITTINGS)		21	48933GT	CONN,520120-8*** <i>shown; non-oscillating models</i>	1
--	49613GT	PLUG AND CAP KIT-SERVICE,ORFS*		21	48935GT	TEE,RUN,520428-8 <i>oscillating models</i>	1
1	48904GT	ELBOW,90D,520220-4-4	5	22	48890GT	FITTING,TEE,BRANCH,520429-4***	1
2	48906GT	TEE,RUN,520428-4	2				
3	49119-3078GT	HOSE ASSY 1/4, STR FEM,STR FEM	2				
		1					
4	49117-14391GT	HOSE ASSY,1/4,90 FEM,STR FEM	2				
		2					
5	48960GT	FITTING,CONN,520120-12***	3				
6	48904GT	ELBOW,90D,520220-4-4 <i>oscillating models</i>	1				
6	49859GT	PLUG,HEX,090109A-4 <i>non-oscillating models</i>	1				
7	48932GT	FITTING,ELBOW,90D,520220-8***	1				
8	48933GT	CONN,520120-8***	4				
9	49117-5891GT	HOSE ASSY,1/4,90 FEM,STR FEM	2				
		2					
10	48907GT	ELBOW,45D,520320-4	1				
11	49117-5091GT	HOSE ASSY,1/4,90 FEM,STR FEM	1				
		2					
12	49107-3463GT	HOSE ASSY,DMANIF/LR&RR BRAKE	3				
		3 <i>to SN 20422</i>					
12	49110-3392GT	HOSE ASSEMBLY-1/2" 100R2	3				
		4 <i>from SN 20423</i>					
13	49107-3863GT	HOSE ASSY,DMANIF/LR DRV MOTOR	1				
		4 <i>from SN 13319</i>					
13	49110-3392GT	HOSE ASSEMBLY-1/2" 100R2	1				
		4 <i>to SN 13318</i>					
14	49143-3729GT	HOSE ASSY,1/2,90 FEM,STR FEM	5				
		5					
15	49117-4391GT	HOSE ASSY,1/4,90 FEM,STR FEM	1				
		5 <i>from SN 20423</i>					
15	54083-4408GT	HOSE ASSY,RR DRIVE/LR DRIVE	1				
		6 <i>to SN 20422</i>					
16	48912GT	CONN,520120-4-6***	2				
17	48948GT	CONN,520120-8-12	4				
18	48935GT	TEE,RUN,520428-8	1				
19	48891GT	FITTING,TEE,BRANCH,520433-4	1				
20	49143-4229GT	HOSE ASSY,1/2,90 FEM,STR FEM	1				
		6 <i>oscillating models</i>					
20	49183-4092GT	HOSE ASSY,1/2,STR FEM,STR FEM	1				
		7 <i>non-oscillating models</i>					

Footnotes

1: Hose End - Female, Swivel, ORFS (Parker Number 1JC43-4), Hose End - Female, Swivel, ORFS (Parker Number 1JC43-4) and Hose, 1/4 inch (Parker Number 481TC-4)

2: Hose End - Female, Swivel, ORFS (Parker Number 1JC43-4), Hose End - Female, Swivel, 90°, ORFS (Parker Number 1J943-4) and Hose, 1/4 inch (Parker Number 481TC-4)

3: Hose End - Female, Swivel, ORFS (Parker Number 1JC43-8), Hose End - Female, Swivel, 45°, ORFS (Parker Number 1J743-8) and Hose, 1/2 inch (Parker Number 381-8)

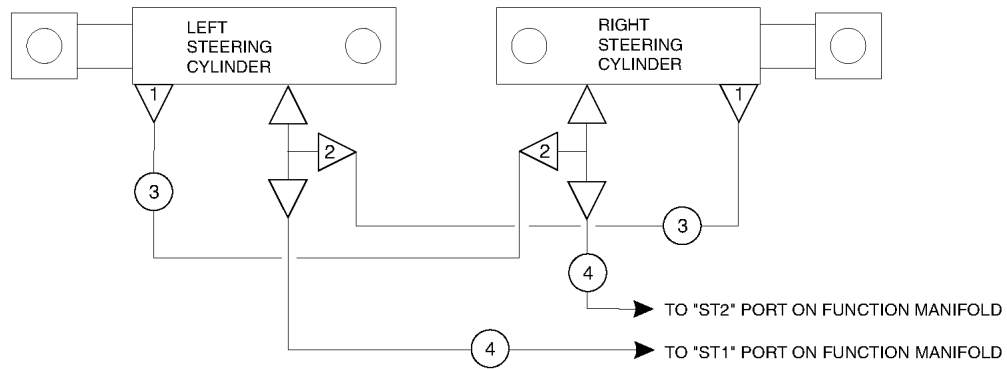
4: Hose End - Female, Swivel, ORFS (Parker Number 1JC43-8), Hose End - Female, Swivel, ORFS (Parker Number 1JC43-8) and Hose, 1/2 inch (Parker Number 381-8)

5: Hose End - Female, Swivel, ORFS (Parker Number 1JC43-8), Hose End - Female, Swivel, 90°, ORFS (Parker Number 1J943-8) and Hose, 1/2 inch (Parker Number 451TC-8)

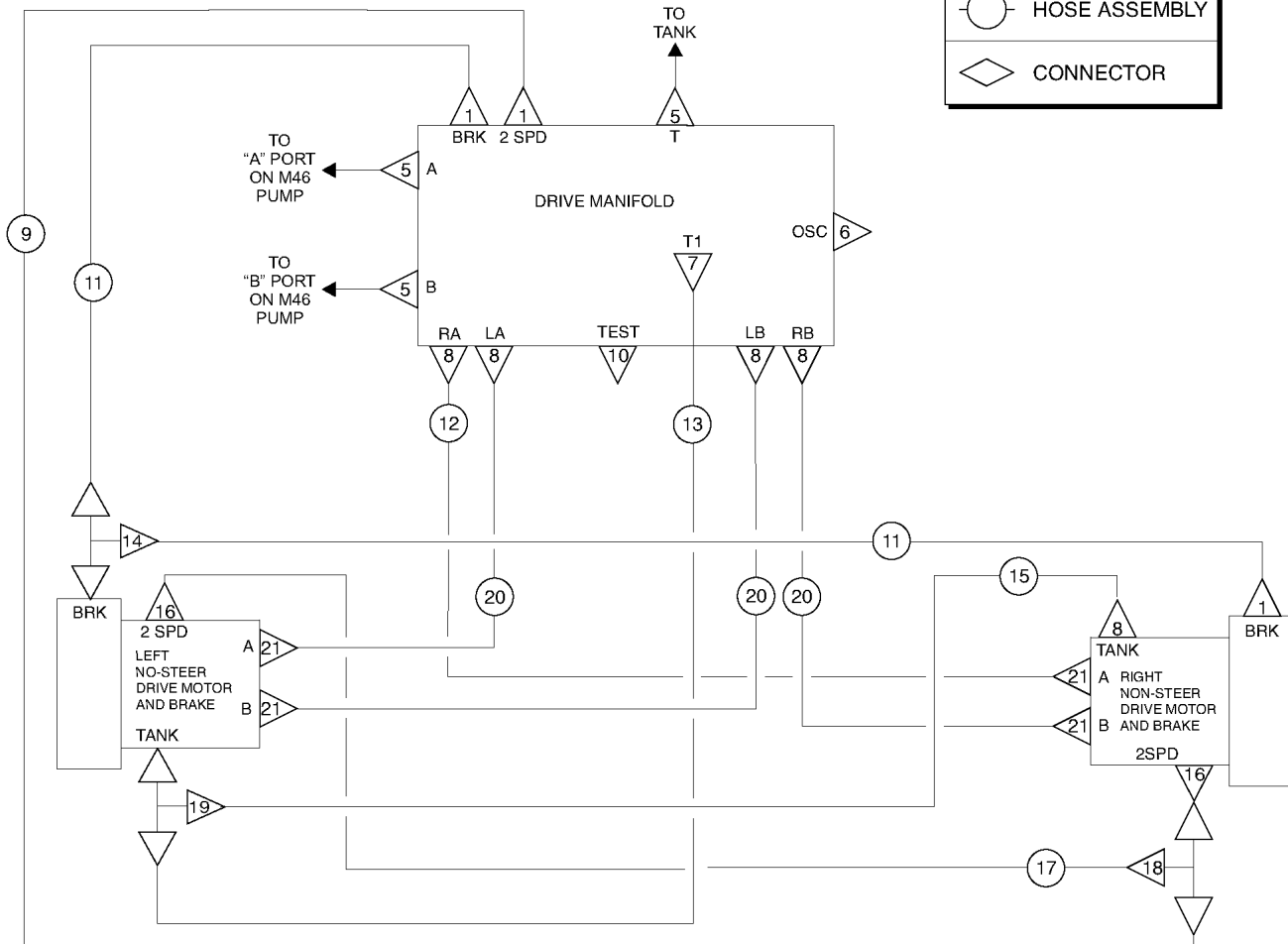
6: Hose End - Female, Swivel, ORFS (Parker Number 1JC43-4), Hose End - Female, Swivel, ORFS (Parker Number 1JC43-8) and Hose, 1/4 inch (Parker Number 481TC-4)

7: Hose End - Female, Swivel, ORFS (Parker Number 1JC43-8), Hose End - Female, Swivel, ORFS (Parker Number 1JC43-8) and Hose, 1/2 inch (Parker Number 451TC-8)

208.1 Hydraulic Hoses and Fittings - Drive and Steer System, Narrow Models



LEGEND	
	FITTING
	HOSE ASSEMBLY
	CONNECTOR



208.1 Hydraulic Hoses and Fittings - Drive and Steer System, Narrow Models

Item	Part No.	Description	Qty.
--	49612GT	O-RING KIT (ORFS FITTINGS)	
--	49613GT	PLUG AND CAP KIT-SERVICE,ORFS*	
1	48904GT	ELBOW,90D,520220-4-4.....	5
2	48906GT	TEE,RUN,520428-4.....	2
3	49119-2078GT	HOSE ASSY,1/4,STR FEM,STR FEM*.....	2
		1	
4A	54083-14408 SGT	HOSE ASSY,1/4",100R1,90F/FEM.....	2
		<i>(with a 4-6 90 degree fitting)</i>	
4B	49117-11091GT	HOSE ASSY,1/4,90 FEM,STR FEM.....	2
		2 <i>(with a 4-4 90 degree fitting)</i>	
5	48960GT	FITTING,CONN,520120-12***.....	3
6	49859GT	PLUG,HEX,090109A-4.....	1
7	48932GT	FITTING,ELBOW,90D,520220-8***.....	1
8	48933GT	CONN,520120-8***.....	5
9	49117-5191GT	HOSE ASSY,1/4,90 FEM,STR FEM**.....	1
		2	
10	48907GT	ELBOW,45D,520320-4.....	1
11	49117-4291GT	HOSE ASSY,1/4,90 FEM,STR FEM.....	2
		2	
12	49107-3063GT	HOSE ASSY,DMANIF/LR&RR BRAKE...1	3
		3	
13	49143-3029GT	HOSE ASSY,1/2,90 FEM,STR FEM.....	1
		4	
14	48890GT	FITTING,TEE,BRANCH,520429-4***.....	1
15	49183-2692GT	HOSE ASSY,1/2,STR FEM,STR FEM*.....	1
		5	
16	48912GT	CONN,520120-4-6***.....	2
17	49117-2591GT	HOSE ASSY,1/4,90 FEM,STR FEM**.....	1
		5	
18	48891GT	FITTING,TEE,BRANCH,520433-4.....	1
19	48935GT	TEE,RUN,520428-8.....	1
20	49107-3063GT	HOSE ASSY,DMANIF/LR&RR BRAKE...3	5
		5 <i>to SN 20422</i>	
20	49110-2992GT	HOSE ASSY,DMANIF/LR&RR DMOTOR.....	3
		6 <i>from SN 20423</i>	
21	48948GT	CONN,520120-8-12.....	4

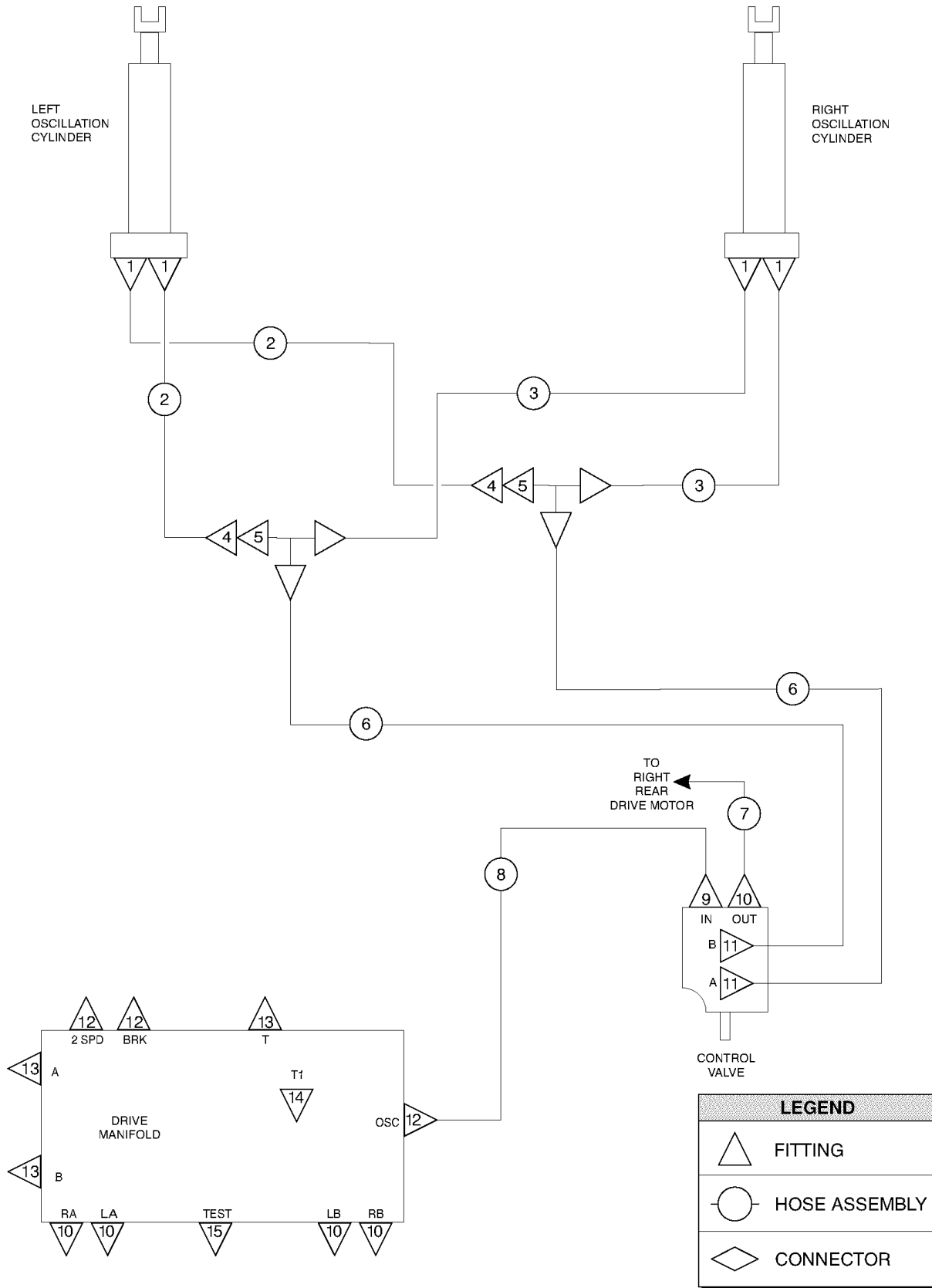
Item	Part No.	Description	Qty.
------	----------	-------------	------

Footnotes

- 1:** Hose End - Female, Swivel, ORFS (Parker No. 1JC43-4), Hose End - Female, Swivel, ORFS (Parker No. 1JC43-4) and Hose, 1/4 inch (Parker No. 481TC-4)
- 2:** Hose End - Female, Swivel, ORFS (Parker No. 1JC43-4), Hose End - Female, Swivel, 90°, ORFS (Parker No. 1J943-4) and Hose, 1/4 inch (Parker No. 481TC-4)
- 3:** Hose End - Female, Swivel, ORFS (Parker No. 1JC43-8), Hose End - Female, Swivel, 45°, ORFS (Parker No. 1J743-8) and Hose, 1/2 inch (Parker No. 381-8)
- 4:** Hose End - Female, Swivel, ORFS (Parker No. 1JC43-8), Hose End - Female, Swivel, 90°, ORFS (Parker No. 1J943-8) and Hose, 1/2 inch (Parker No. 451TC-8)
- 5:** Hose End - Female, Swivel, ORFS (Parker No. 1JC43-8), Hose End - Female, Swivel, ORFS (Parker No. 1JC43-8) and Hose, 1/2 inch (Parker No. 451TC-8)
- 6:** Hose End - Female, Swivel, ORFS (Parker No. 1JC43-8), Hose End - Female, Swivel, ORFS (Parker No. 1JC43-8) and Hose, 1/2 inch (Parker No. 381-8)



209.1 Hydraulic Hoses and Fittings - Oscillate System



209.1 Hydraulic Hoses and Fittings - Oscillate System

Item	Part No.	Description	Qty.
--	49612GT	O-RING KIT (ORFS FITTINGS)	
--	49613GT	PLUG AND CAP KIT-SERVICE,ORFS*	
1	48912GT	CONN,520120-4-6***	4
2	49117-2091-SGT	HOSE ASSY,1/4,90 FEM,STR FEM	2
		1	
3	49117-3191GT	HOSE ASSY,1/4,90 FEM,STR FEM	2
		1	
4	54132GT	ELBOW,SWIVEL 90D, 520221-4	2
		to SN 20422	
5	48891GT	FITTING,TEE,BRANCH,520433-4	2
		from SN 20423	
5	48909GT	TEE,BULKHEAD,RUN,520958-4	2
		to SN 20422	
6	49119-9778GT	HOSE ASSY,1/4,STR FEM,STR FEM	2
		2 to SN 20422	
6	75574GT	NUT,BULKHEAD,520118-4	2
		from SN 20423 (item sold seperately)	
6	88636-9073GT	HOSE ASSY 1/4,STR FEM,STR BULK	2
		3 from SN 20423	
7	49143-3729GT	HOSE ASSY,1/2,90 FEM,STR FEM	1
		4	
8	49117-3791GT	HOSE ASSY,1/4,90 FEM,STR FEM**	1
		4 from SN 20423	
8	49118-3808GT	HOSE ASSY,D.MANIF/CONTR.VALVE	1
		5 to SN 20422	
9	48914GT	CONN,520120-4-8	1
		from SN 20423	
9	48930GT	CONN,520120-6-8	1
		to SN 20422	
10	48933GT	CONN,520120-8***	5
11	48911GT	ELBOW,90D,520220-4-6***	2
12	48904GT	ELBOW,90D,520220-4-4	3
13	48960GT	FITTING,CONN,520120-12***	3
14	48932GT	FITTING,ELBOW,90D,520220-8***	1
15	48905GT	CONN,520120-4***	1

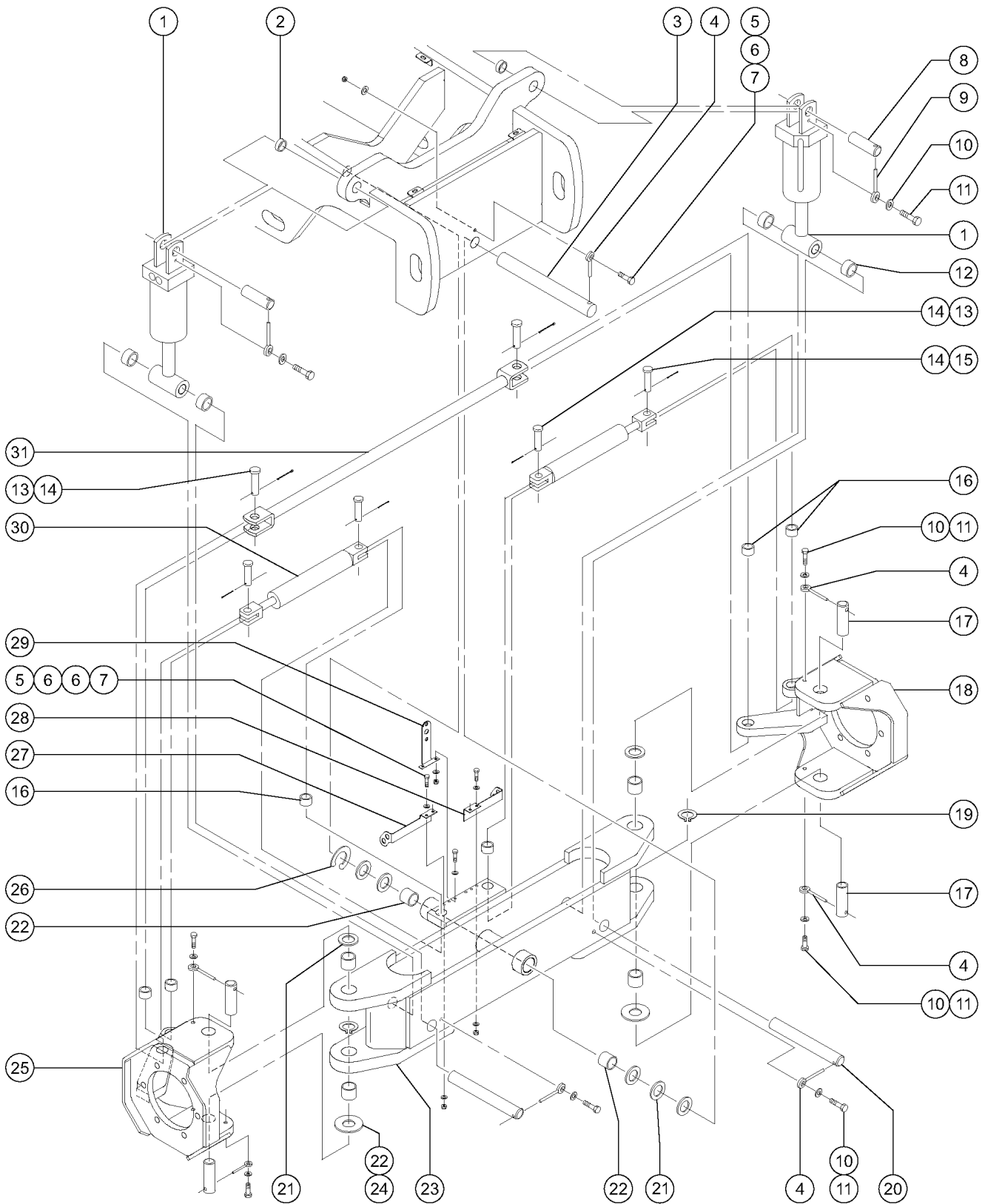
Item	Part No.	Description	Qty.
------	----------	-------------	------

Footnotes

- 1:** Hose End, Female, Swivel, ORFS (Parker Number 1JC43-4), Hose End, Female, 90°, Swivel, ORFS (Parker Number 1J943-4) and Hose, 1/4 inch (Parker Number 481TC-4)
- 2:** Hose End, Female, Swivel, ORFS (Parker Number 1JC43-4), Hose End, Female, Swivel, ORFS (Parker Number 1JC43-4) and Hose, 1/4 inch (Parker Number 481TC-4)
- 3:** Hose End, Female, Swivel, ORFS (Parker Number 1JC43-4), Hose End, Male, Bulkhead, ORFS (Parker Number 1JB43) and Hose, 1/4 inch (Parker Number 481TC-4)
- 4:** Hose End, Female, Swivel, ORFS (Parker Number 1JC43-8), Hose End, Female, 90°, Swivel, ORFS (Parker Number 1J943-8) and Hose, 1/2 inch (Parker Number 451TC-8)
- 5:** Hose End, Female, Swivel, ORFS (Parker Number 1JC43-4), Hose End, Female, 90°, Swivel, ORFS (Parker Number 1J943-6-4) and Hose, 1/4 inch (Parker Number 481TC-4)



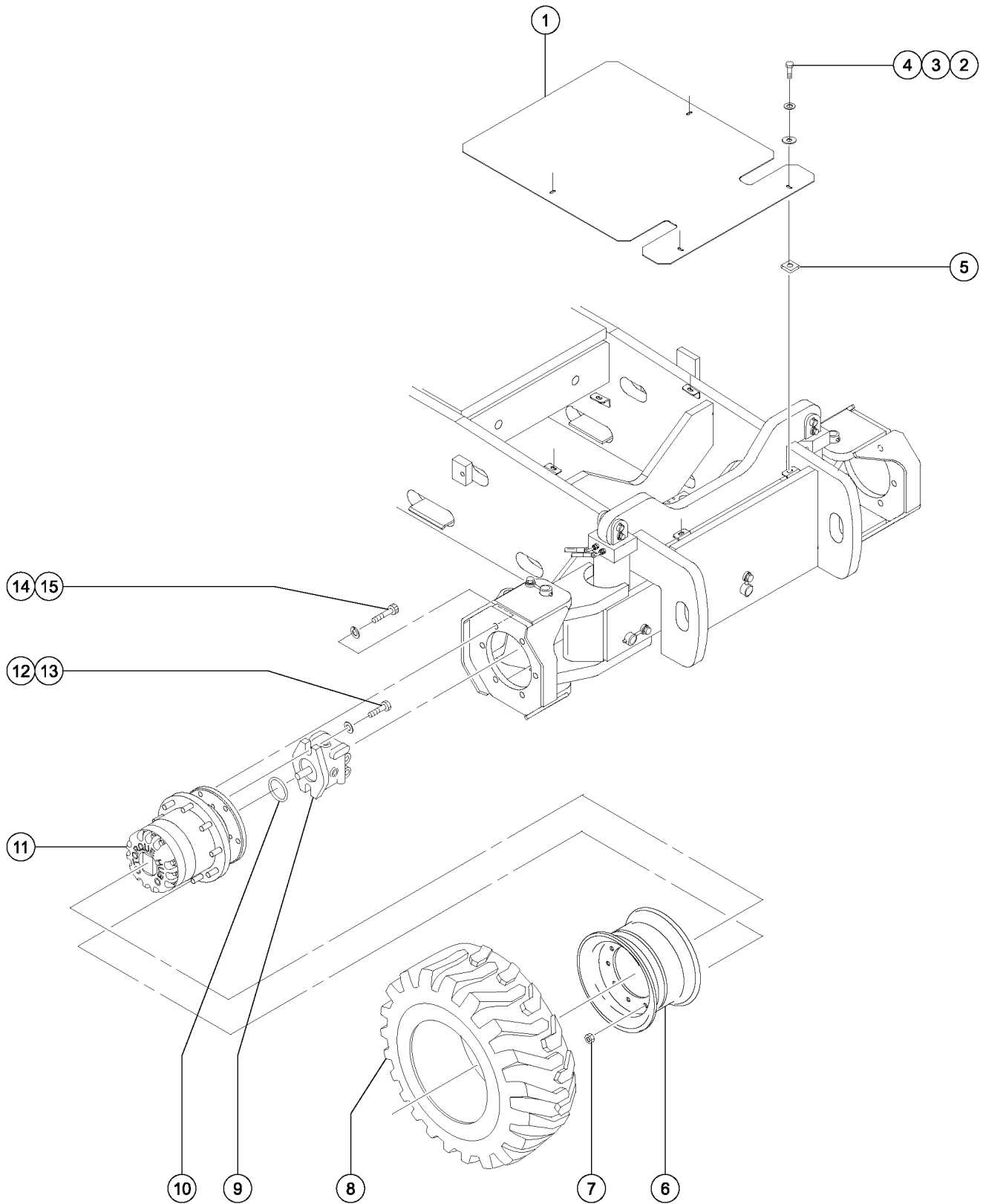
301.1 Steer Axle Linkage - Oscillate Models



301.1 Steer Axle Linkage - Oscillate Models

Item	Part No.	Description	Qty.	Item	Part No.	Description	Qty.
1	54567GT	CYLINDER,OSCILLATE,Z45*** <i>includes 2 each of index number 12</i>	2	30	52739GT	SEAL KIT (60064) <i>for cylinder 60064</i>	
--	147285GT	SEAL KIT,147261 <i>for 147261</i>		30	59076GT	SEAL KIT,2.0" BORE CYLINDERS** <i>for cylinder 59049 and 59203</i>	
--	52759GT	SEAL KIT,50316 CYLINDER <i>for cylinder 50316</i>		30	59169GT	SEAL KIT,2" BORE,1" ROD*** <i>for cylinder 59155, 59156, 59301, 59341 and 59388</i>	
--	65791GT	SEAL KIT,CYL,Z45 (54567) <i>for 54567</i>		30	88337GT	CYLINDER,STEER.....	2
--	77409GT	VALVE,COUNTERBALANCE,1000 ATM.....	1	30	88338GT	SEAL KIT, 88337 <i>for cylinder 88337</i>	
2	50560GT	BEARING,1.25IDX1.50ODX1.50L.....	2	31	50328-SGT	TIE ROD WELDMENT.....	1
3	54542GT	PIN,1.50DIA X2.00LG,CHAMFER.....	1	Footnotes			
4	825019GT	ROD END,.375X3.69,ZAG.....	7	<p>1: Quantity listed for this item is approximate. Actual quantity may vary to ensure proper fit.</p>			
5	6708GT	SCREW,HHC,3/8-16 X 2.25.....	7				
6	5397GT	WASHER,FLAT,USS,5/16",Y.....	13				
7	4828GT	NUT,NYLOCK,3/8-16.....	7				
8	50742GT	PIN,1.25DIA X3.75LG,1HOLE.....	2				
9	1255452GT	ROD END,.375 X 2.25,ZAG.....	2				
10	6021GT	WASHER,LOCK,.375.....	8				
11	6175GT	SCREW,HHC,3/8-16 X 1.....	8				
12	25683GT	BEARING,POLYGON,20DU12.....	4				
13	19440GT	PIN,CLEVIS,1 X 2.5 LG..... <i>from SN 20459 to 21178</i>	2				
13	32399GT	PIN,CLEVIS,1 X 3 LG..... <i>from SN 9996 to 20458</i>	2				
14	33247GT	PIN,COTTER,.188 X 1.75 LONG.....	6				
15	19440GT	PIN,CLEVIS,1 X 2.5 LG.....	4				
16	25817GT	BEARING,1.00IDX1.25ODX1.00L.....	6				
17	88752GT	PIN,1.50DIA X4.25LG,GR/H.....	4				
18	52704-SGT	YOKE ASSY,LH,4WD,Z45/25,IC..... <i>includes 2 each index number 16</i>	1				
19	825796GT	SNAP RING,EXTERNAL,1.50,ZAG.....	2				
20	36198GT	PIN,1.25DIA X8.12LG,1HOLE.....	2				
21	18596GT	WASHER,FLAT,1.56 X 2.5 X .061.....	7				
22	45071GT	BEARING,1.5IDX1.75ODX1.5L.....	6				
23	52706-SGT	FRONT AXLE ASSY,WIDE,Z45/25 IC..... <i>includes 2 each of index number 16 and 6 each of index number 22</i>	1				
24	45074GT	WASHER,THRUST,1.5 X 3.5 X .187.....	2				
25	52705-SGT	YOKE ASSY,RH,4WD,Z45/25,IC..... <i>includes 2 each index number 16</i>	1				
26	54557GT	SHIM,AXLE PIN,1.50".....	1				
27	50947GT	BRACKET,FRONT DRIVE HOSES,RH...1					
28	50901GT	BRACKET,FRONT DRIVE HOSES,LH...1					
29	50900GT	BRACKET,OSC HOSE BULKHEAD.....1					

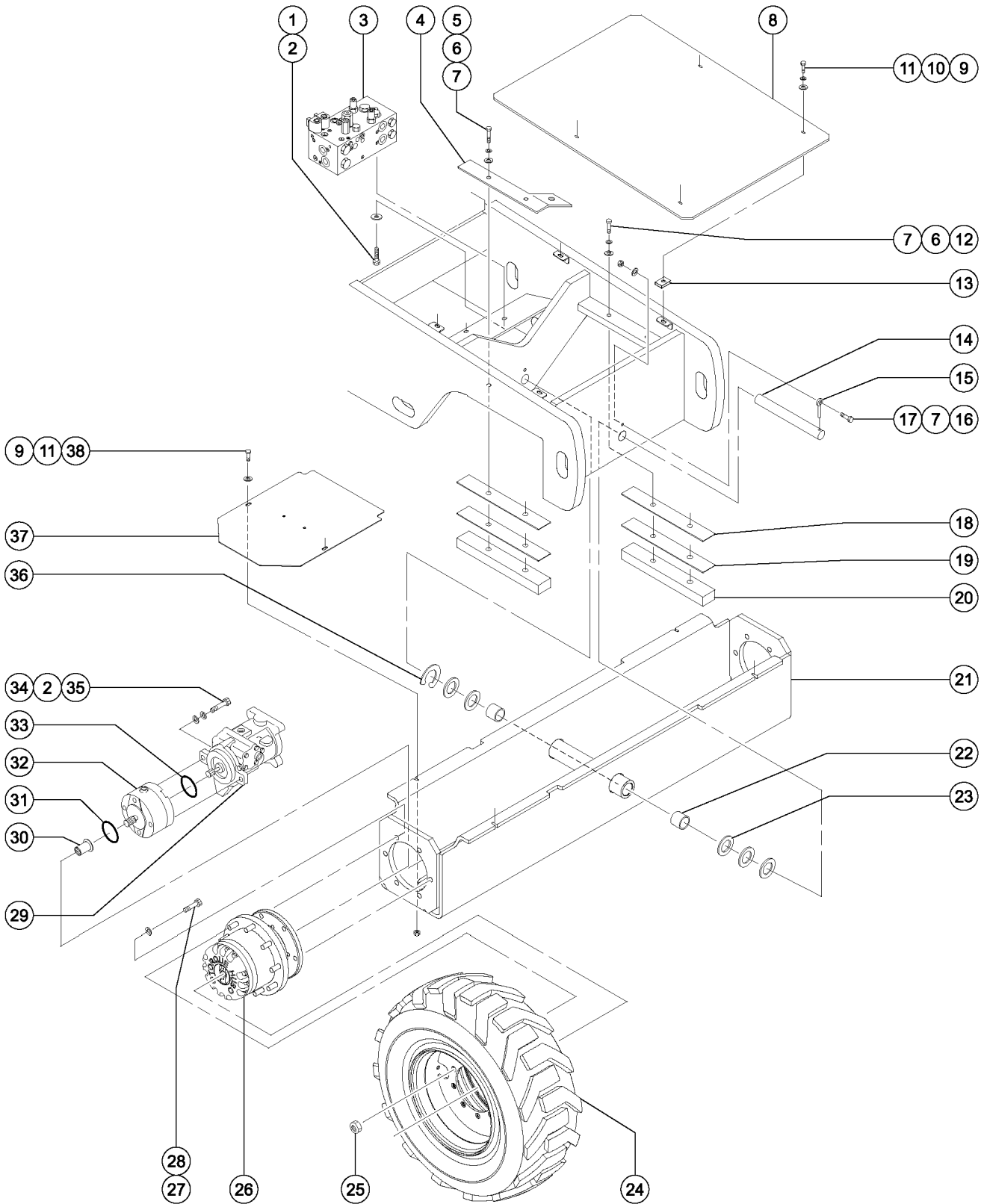
302.1 Steer Axle Wheels and Hubs



302.1 Steer Axle Wheels and Hubs

Item	Part No.	Description	Qty.	Item	Part No.	Description	Qty.
1	52731GT	COVER W/DECALS,STEER,OSC,Z45....1 <i>Oscillate Models</i>	1	--	58438GT	KIT,COVER,TORQUE HUB,45553***.....2	2
2	6888GT	SCREW,HHC,1/4-20 X 1.....4	4	--	58589GT	THRUST CAP (20193)	
3	6356GT	WASHER,LOCK,.25.....4	4	12	22788GT	SCREW,HHC,1/2-13 X 1.75.....4	4
4	6638GT	WASHER,FLAT,USS,1/4"Y.....4	4	13	6033GT	WASHER,LOCK,0.5".....4	4
5	56912GT	SPRING CLIP,1/4-20,.025-.15X.54,ZAG.....5	5	14	29883GT	SCREW,HHC,5/8-11 X 1.75 GRD.8.....12	12
6	50919GT	WHEEL,17.50 X 10.5(9 HOLES)63#.....2	2	15	13064GT	WASHER,FLAT,.625 HARDENED.....12	12
7	54627GT	NUT,LUG,5/8-18 X 90 DEGREE,Z45.....18	18				
8	50920GT	WHEEL/TIRE ASSEMBLY,RR/LF 248#...2 <i>RT, Air-filled</i>	2				
--	50919GT	WHEEL,17.50 X 10.5(9 HOLES)63#					
--	50955GT	WHEEL & TIRE ASSY,LR/RF 248# <i>RT, Air-filled</i>					
--	54610GT	WHEEL&TIRE,RR/LF,AIR,RT,N/MARK <i>RT, Air-filled, Non-marking</i>					
--	54611GT	WHEEL&TIRE,LR/RF,AIR,RT,N/MARK <i>RT, Air-filled, Non-marking</i>					
--	54612GT	WHEEL&TIRE,RR/LF,FOA,RT,N/MARK <i>RT, Foam-filled, Non-marking</i>					
--	54613GT	WHEEL&TIRE,LR/RF,FOA,RT,N/MARK <i>RT, Foam-filled, Non-marking</i>					
--	54614GT	TIRE,14-17.5,NHS,N/MARK,14PLY <i>RT, Non-marking</i>					
--	60059GT	TIRE,14-17.5 NHS,RT,14PLY,112# <i>RT</i>					
--	60084GT	WHEEL & TIRE ASSEMBLY,LR/RF,FM <i>RT, Foam-filled</i>					
--	60085GT	WHEEL & TIRE ASSEMBLY,RR/LF,FM <i>RT, Foam-filled</i>					
9	32675GT	SEAL KIT,SUNSTRAND.....2	2				
9	33432GT	MOTOR,HYD,25CC FIXED***.....2	2				
10	52087GT	O-RING,2-044 BUNA***.....2	2				
11	20193GT	TORQUE HUB,35:1***.....2	2				
--	1286606GT	SEAL KIT,TORQUE HUB (20193) <i>for 20193</i>					
--	1286607GT	BEARING KIT,TORQUE HUB (20193) <i>for 20193</i>					
--	21143GT	BEARING KIT (45553) TORQUE HUB <i>for 20193 (inventory limited to stock on hand as component is no longer available)</i>					
--	21144GT	CAP,DISENGAGE-45553 TORQUE HUB.....2	2				
--	21145GT	DISCONNECT ROD-45553 TQ.HUB.....2	2				
--	21146GT	COVER CAP,TORQUE HUB***.....2	2				
--	21148GT	WASHER,THRUST,TORQUE HUB.....2	2				
--	21149GT	LUG,WHEEL STUD,5/8-18,W1/4HB**.....2	2				
--	37097GT	O-RING, TORQUE HUB.....2	2				

303.1 Non-steer Axle



303.1 Non-steer Axle

Item	Part No.	Description	Qty.	Item	Part No.	Description	Qty.
1	10597GT	SCREW,HHC,1/2-13 X 1.25 GR5.....	3	--	60084GT	WHEEL & TIRE ASSEMBLY,LR/RF,FM <i>RT, Foam-filled</i>	
2	6033GT	WASHER,LOCK,0.5".....	7	--	60085GT	WHEEL & TIRE ASSEMBLY,RR/LF,FM <i>RT, Foam-filled</i>	
3		Ref. Manifold - Drive, 4WD (refer to Figure 3-D).....	7	25	54627GT	NUT,LUG,5/8-18 X 90 DEGREE,Z45.....	18
4		Ref., PLATE,BRACKET,OSC VALVE..... <i>refer to 305.1</i>	1	26A	20193GT	TORQUE HUB,35:1***.....	2
5	14033GT	SCREW,HHC,3/8-16 X 2.75.....	2	--	1286606GT	SEAL KIT,TORQUE HUB (20193)	
6	6021GT	WASHER,LOCK,.375.....	4	--	1286607GT	BEARING KIT,TORQUE HUB (20193) <i>for 20193</i>	
7	5397GT	WASHER,FLAT,USS,5/16",Y.....	5	--	21143GT	BEARING KIT (45553) TORQUE HUB <i>for 20193 (inventory limited to stock on hand as component is no longer available)</i>	
8	52707-SGT	COVR W/DECALS,NON-STEER Z45/25.....	1	--	21144GT	CAP,DISENGAGE-45553 TORQUE HUB <i>for 20193 torque hub</i>	
9	6888GT	SCREW,HHC,1/4-20 X 1.....	8	--	21145GT	DISCONNECT ROD-45553 TQ.HUB <i>for 20193 torque hub</i>	
10	6356GT	WASHER,LOCK,.25.....	4	--	21146GT	COVER CAP,TORQUE HUB*** <i>for 20193 torque hub</i>	
11	6638GT	WASHER,FLAT,USS,1/4"Y.....	8	--	21148GT	WASHER,THRUST,TORQUE HUB <i>for 20193 torque hub</i>	
12	6708GT	SCREW,HHC,3/8-16 X 2.25.....	3	--	21149GT	LUG,WHEEL STUD,5/8-18,W1/4HB** <i>for 20193 torque hub</i>	
13	56912GT	SPRING CLIP,1/4-20,.025-.15X.54,ZAG.....	8	--	37097GT	O-RING, TORQUE HUB <i>for 20193 torque hub</i>	
14	54542GT	PIN,1.50DIA X 20.00LG,CHAMFER.....	1	--	58438GT	KIT,COVER,TORQUE HUB,45553*** <i>for 20193 torque hub</i>	
15	825019GT	ROD END,.375X3.69,ZAG.....	1	--	58589GT	THRUST CAP (20193) <i>for 20193 torque hub</i>	
16	6175GT	SCREW,HHC,3/8-16 X 1.....	1	26B	56338GT	TORQUE HUB,47:1 W1 "B" MOUNT**.....	2
17	4828GT	NUT,NYLOCK,3/8-16.....	1	--	1286606GT	SEAL KIT,TORQUE HUB (20193) <i>for 56338</i>	
18	50669GT	SHIM,AXLE ROTATION STOP,22GA.....	2	--	21143GT	BEARING KIT (45553) TORQUE HUB <i>for 56338 torque hub</i>	
19	119210GT	SHIM,AXLE ROTATION STOP,12GA.....	2	--	21144GT	CAP,DISENGAGE-45553 TORQUE HUB <i>for 56338 torque hub</i>	
20	50667GT	BAR,AXLE ROTATION STOP,OSC.....	2	--	21146GT	COVER CAP,TORQUE HUB*** <i>for 56338 torque hub</i>	
21	52727GT	AXLE ASSY,NON-STR,WIDE BASE..... <i>includes index number 22; to SN 17543</i>	1	--	21148GT	WASHER,THRUST,TORQUE HUB <i>for 56338 torque hub</i>	
--	77243GT	FORMED AXLE,WIDE,W/BEARINGS..... <i>includes index number 22; from SN 17544</i>	1	--	21149GT	LUG,WHEEL STUD,5/8-18,W1/4HB** <i>for 56338 torque hub</i>	
22	45071GT	BEARING,1.5IDX1.75ODX1.5L.....	2	--	37097GT	O-RING, TORQUE HUB <i>for 56338 torque hub</i>	
23	18596GT	WASHER,FLAT,1.56 X 2.5 X .061.....	7	--	58438GT	KIT,COVER,TORQUE HUB,45553*** <i>for 56338 torque hub</i>	
24	50920GT	WHEEL/TIRE ASSEMBLY,RR/LF 248#... <i>RT, Air-filled</i>	2	--	58448GT	KIT,TORQUE HUB COVER (45553)** <i>for 56338 torque hub</i>	
--	50955GT	WHEEL & TIRE ASSY,LR/RF 248# <i>RT, Air-filled</i>		--	74099GT	DISCONNECT ROD (56338) <i>for 56338 torque hub</i>	
--	54610GT	WHEEL&TIRE,RR/LF,AIR,RT,N/MARK <i>RT, Air-filled, Non-marking</i>					
--	54611GT	WHEEL&TIRE,LR/RF,AIR,RT,N/MARK <i>RT, Air-filled, Non-marking</i>					
--	54612GT	WHEEL&TIRE,RR/LF,FOA,RT,N/MARK <i>RT, Foam-filled, Non-marking</i>					
--	54613GT	WHEEL&TIRE,LR/RF,FOA,RT,N/MARK <i>RT, Foam-filled, Non-marking</i>					
--	54614GT	TIRE,14-17.5,NHS,N/MARK,14PLY					
--	60059GT	TIRE,14-17.5 NHS,RT,14PLY,112#					

303.1 Non-steer Axle
(continued)

Item	Part No.	Description	Qty.	Item	Part No.	Description	Qty.
26C	106148GT	WHEEL DRIVE,4HB,48:1***2 <i>from SN 17093; change to wheel drive requires replacement of both drive hubs at first-time replacement; after first-time replacement, refer to 'for 106148' below</i>		--	58438GT	KIT,COVER,TORQUE HUB,45553*** <i>for 74097</i>	
--	106117GT	O-RING,2-010,VITON <i>for 106148 (Mating O-ring for Brake Port)(Extremely small)</i>		--	58448GT	KIT,TORQUE HUB COVER (45553)** <i>for 74097</i>	
--	106120GT	WHEEL STUD, 4HP, 5/8-18*** <i>for 106148</i>		--	72307GT	SEAL KIT, TORQUE HUB(74097)* <i>for 74097</i>	
--	106121GT	ROD,DISCONNECT 4HP/4HB*** <i>for 106148</i>		--	74375GT	WASHER,THRUST,TORQUE HUB,74097 <i>for 74097</i>	
--	106122GT	CAP,DISENGAGE,4HP/4HB*** <i>for 106148</i>		--	9990074GT	COUPLING <i>for 106148 (brake coupler)</i>	
--	106123GT	O-RING,END COVER,4HP/4HB*** <i>for 106148</i>		27	29883GT	SCREW,HHC,5/8-11 X 1.75 GRD.8.....12	
--	106124GT	LINING KIT, BRAKE, 4HP*** <i>for 106148</i>		28	13064GT	WASHER,FLAT,625 HARDENED.....12	
--	106125GT	SEAL KIT, BRAKE, 4HP <i>for 106148 (inventory limited to stock on hand as component is no longer available)</i>		29A	50419GT	MOTOR,HYD DRIVE,2 SPEED,4WD.....2 <i>to SN 13318</i>	
--	106126GT	BEARING KIT,4HP <i>for 106148 (inventory limited to stock on hand as component is no longer available)</i>		--	27067GT	SEAL,SHAFT-SUNDSTRAND***	
--	1286600GT	SEAL KIT,WHEEL DRIVE (106148/106445/107712) <i>for 106148 (inventory limited to stock on hand as component is no longer available)</i>		--	29739GT	SEAL KIT,SAUER-DANFOSS M46***	
--	1286602GT	SEAL KIT,WHEEL DRIVE W/BRAKE (101584/101585) <i>for 106148</i>		29B	54411GT	MOTOR,HYD,LV35,VAR,1DEG,4WD.....2 <i>from SN 13319</i>	
--	1286603GT	BEARING KIT,WHEEL DRIVE W/BRAKE (101584/101585) <i>for 106148</i>		--	27067GT	SEAL,SHAFT-SUNDSTRAND***.....2	
--	146051GT	BEARING NUT*** <i>for 106148</i>		--	65534GT	SEAL KIT-DRIVE MOTOR	
--	146052GT	SET SCREW*** <i>for 146051</i>		30	38113GT	COUPLER,INTERNAL SPLINE,T-HUB....2	
--	21143GT	BEARING KIT (45553) TORQUE HUB <i>for 74097</i>		31	52087GT	O-RING,2-044 BUNA***2	
--	21146GT	COVER CAP,TORQUE HUB*** <i>for 74097</i>		32A	41912GT	BRAKE,MICO,1200 IN/LB***2 <i>to SN 12197</i>	
--	21149GT	LUG,WHEEL STUD,5/8-18,W1/4HB** <i>for 74097</i>		--	41918GT	LINING KIT,MICO BRAKE	
--	215777GT	INPUT CARRIER, SUB-ASSEMBLY <i>for 106148</i>		--	41921GT	SEAL KIT,BRAKE,MICO	
--	232486GT	SNAP RING,WHEEL DRIVE <i>for 106148</i>		--	41922GT	BEARING KIT,BRAKE,MICO	
--	37097GT	O-RING, TORQUE HUB <i>for 74097</i>		--	72319GT	SPRING (RED) MICO <i>For 41912; 8 required per brake</i>	
--	58320GT	KIT,TORQUE HUB COVER(101584)** <i>for 106148</i>		32B	106150GT	BRAKE,SAE B-B,900IN LB***2 <i>from SN 12198 to SN 21178</i>	
--	58428GT	DISCONNECT ROD (74097) <i>for 74097</i>		--	106403GT	LINING KIT,BRK,WET*** <i>for 106150 Ausco brake</i>	
				--	65606GT	SEAL KIT, AUSCO BRAKE(54388) <i>for 54388 Ausco brake</i>	
				--	65607GT	LINING KIT, AUSCO BRAKE(54388) <i>for 54388 Ausco brake</i>	
				--	65608GT	BEARING KIT, AUSCO*** <i>for 54388 and 74294 Ausco brake</i>	
				--	65618GT	SEAL KIT,BRAKE*** <i>for 106150 Ausco brake</i>	
				--	77239GT	LINING KIT,AUSCO BRAKE*** <i>for 74294 Ausco brake</i>	
				--	77240GT	SEAL KIT, AUSCO BRAKE*** <i>for 74294 Ausco brake</i>	
				--	94880GT	BEARING KIT <i>for 106150 Ausco brake</i>	
				33	22811GT	O-RING,MOTOR TO BRAKE***2	
				34	42360GT	SCREW,SHC,1/2-13 X 4 ZINC.....4	



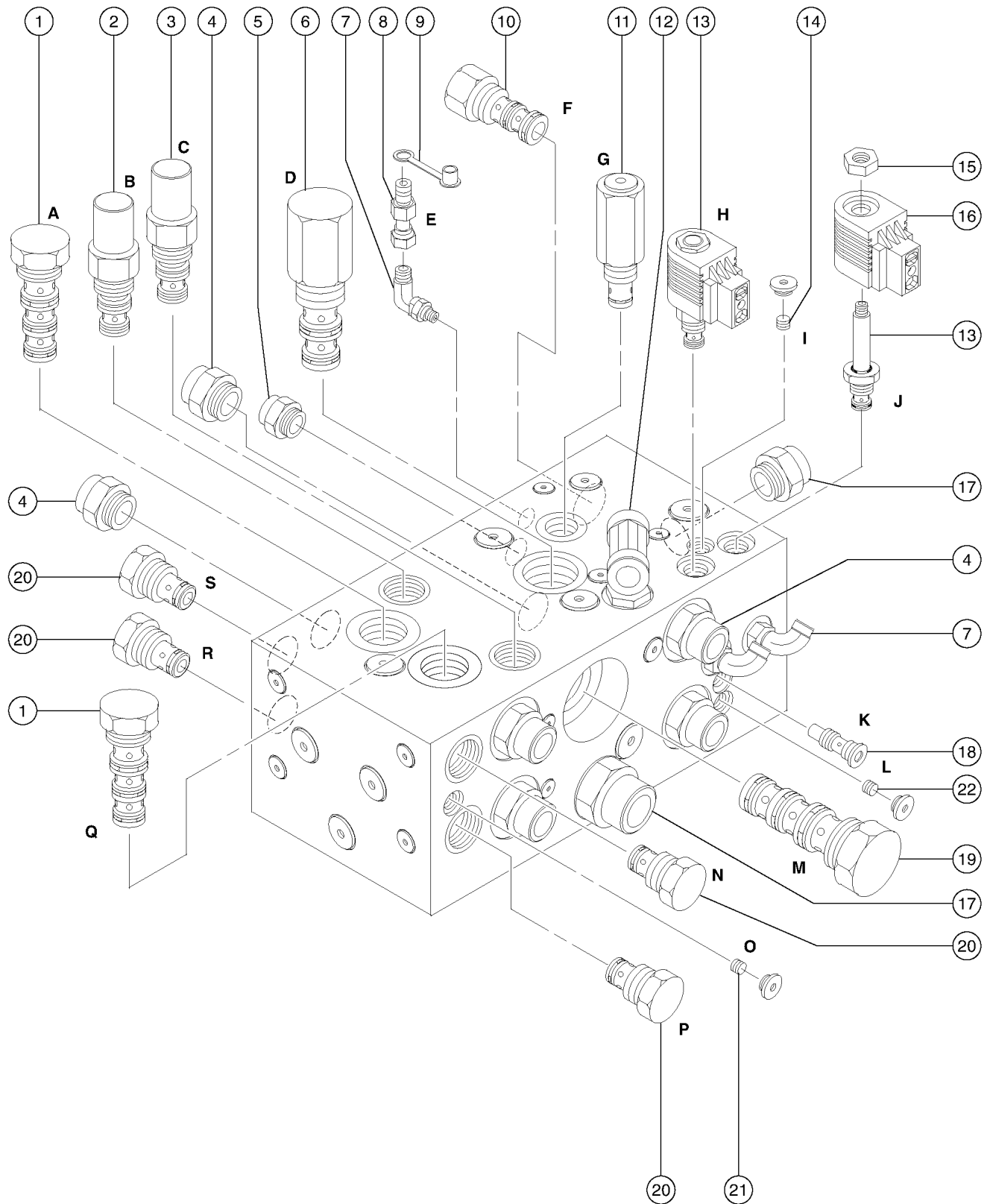
303.1 Non-steer Axle
(continued)

Item	Part No.	Description	Qty.
35	13066GT	WASHER,FLAT,.5 HARDENED.....	7
36	54557GT	SHIM,AXLE PIN,1.50".....	1
37A	50355-SGT	COVER,DRIVE CHASSIS MOTOR..... <i>to SN 17543</i>	2
37B	77020GT	COVER,FORMED REAR AXLE,WIDE.... <i>from SN 17544 to SN 18756</i>	2
37C	77153GT	COVER,FORMED REAR AXLE,WIDE.... <i>from SN 18757</i>	2
38	6889GT	NUT,LP NYLOCK,1/4-20.....	4

Footnotes

1: Quantity listed for this item is approximate.
Actual quantity may vary to ensure proper fit.

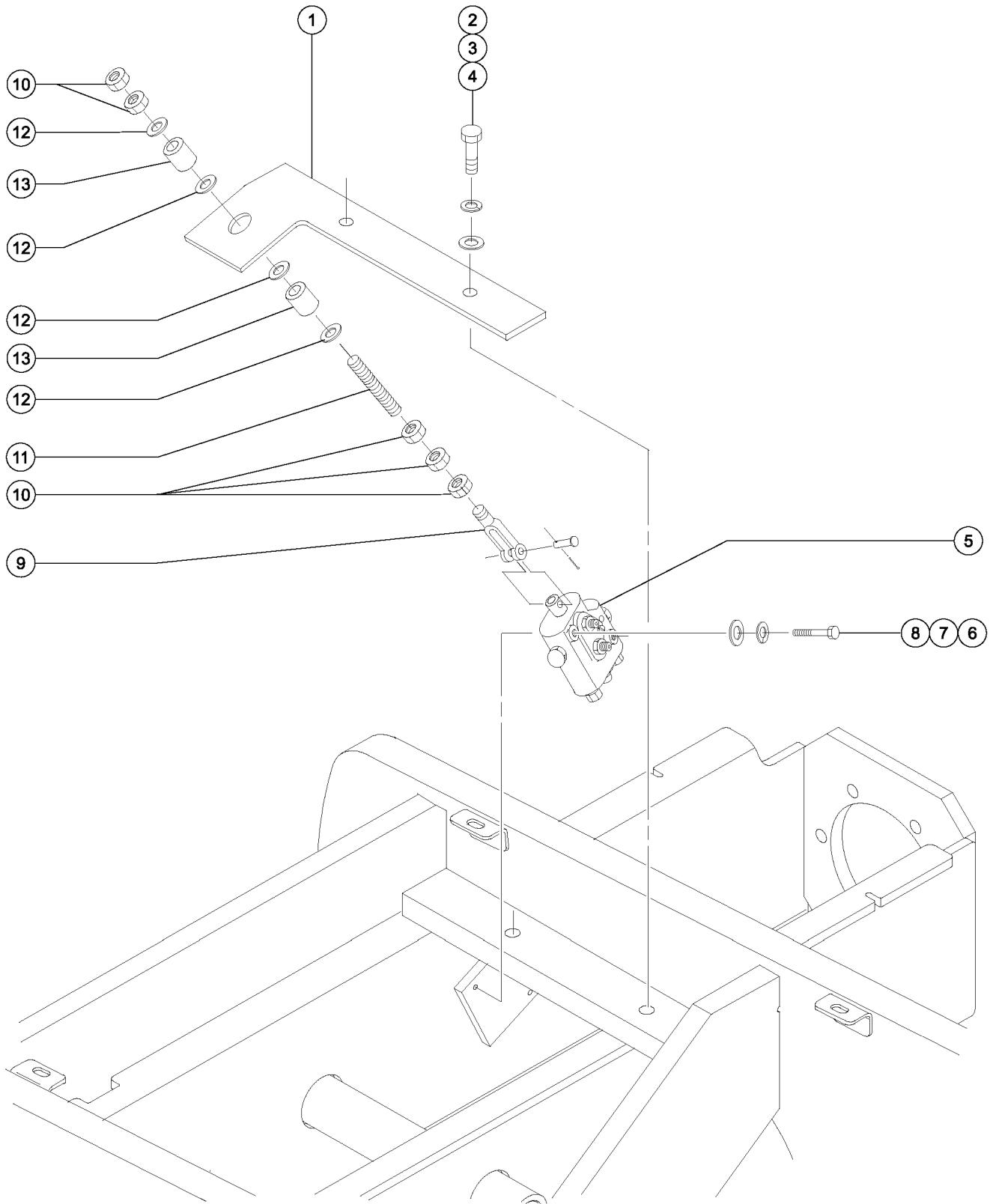
304.1 Drive Manifold



304.1 Drive Manifold

Item	Part No.	Description	Qty.	Item	Part No.	Description	Qty.
A		Flow divider/combiner valve <i>Control flow to non-steer end drive motors in forward and reverse</i>		6	52720GT	VALVE-DIRECT. CONTRL-2POS. 2WA.....	1
B		Flow regulator valve <i>Non-steer end drive motor circuit</i>		7	48904GT	ELBOW,90D,520220-4-4.....	3
C		Flow regulator valve <i>Steer end drive motor circuit</i>		8	20224GT	DIAGNOSTIC FEMALE Q-DSCNT.....	1
D		Directional control <i>2-speed motor shift circuit</i>		8	49207GT	NIPPLE,DIAGNOSTIC,ORFS,FM,SWIV..	1
E		Diagnostic fitting <i>Testing</i>		9	48880GT	CAP,DIAGNOSTIC NIPPLE.....	1
F		Shuttle valve, <i>Drive circuit</i>		10	54572GT	VALVE.....	1
G		Relief valve <i>Charge pressure circuit</i>		11	31406GT	VALVE,RELIEF 250 PSI***.....	1
H		Solenoid valve, <i>2-speed motor shift</i>		12	48936GT	TEE,BRANCH,520429-8.....	1
I		Orifice - Plug <i>Brake and 2-speed circuit</i>		13	65766GT	VALVE,SOLENOID,10V W/DIODE***.....	2
J		Solenoid valve <i>Braking</i>				<i>includes 1 each of index numbers 15 and 16</i>	
K		Check valve <i>2-speed motor shift circuit</i>		14	52724GT	PLUG,ORIFICE,0.030 (50684).....	1
L		Orifice - Plug <i>2-speed motor shift circuit</i>		15	45912GT	NUT,SOLENOID VALVE 2P3W.....	2
M		Flow divider/combiner valve <i>Controls flow to divider/combiner valves A and Q</i>		16	43601GT	COIL,SOLENOID VLV,10V W/ DIODE.....	2
N		Check valve <i>Steer end drive motor circuit</i>		17	48960GT	FITTING,CONN,520120-12***.....	3
O		Orifice - Plug <i>Drive circuit</i>		18	43599GT	VALVE,CHECK.....	1
P		Check valve <i>Steer end drive motor circuit</i>		--	110200GT	SEAL KIT, VALVE, #4	
Q		Flow divider/combiner valve <i>Controls flow to steer end drive motors in forward and reverse</i>		19	33521GT	VALVE,FLOW DIVIDER/COMBINER.....	1
R		Check valve <i>Non-steer end drive motor circuit</i>		20	27836GT	VALVE,CHECK,5 PSI.....	4
S		Check valve <i>Non-steer end drive motor circuit</i>		21	65449GT	PLUG,ORIFICE, 0.052 (40033).....	1
--	28750GT	O-RING KIT,FIELD SVC,ALL PROD*		22	74990GT	ORIFICE, 0.025"(74129)*.....	1
--	49612GT	O-RING KIT (ORFS FITTINGS)					
--	49613GT	PLUG AND CAP KIT-SERVICE,ORFS*					
--	54699GT	MANIFOLD,4WD TRACT.W/FITTINGS					
1	52726GT	VALVE,FLOW DIVIDER/COMBINER.....	2				
2	52723GT	VALVE-FLOW REGULATOR 2 GPM.....	1				
3	54815GT	VALVE-FLOW REGULATOR 1.0GPM.....	1				
4	48933GT	CONN,520120-8***.....	8				
5	48905GT	CONN,520120-4***.....	1				

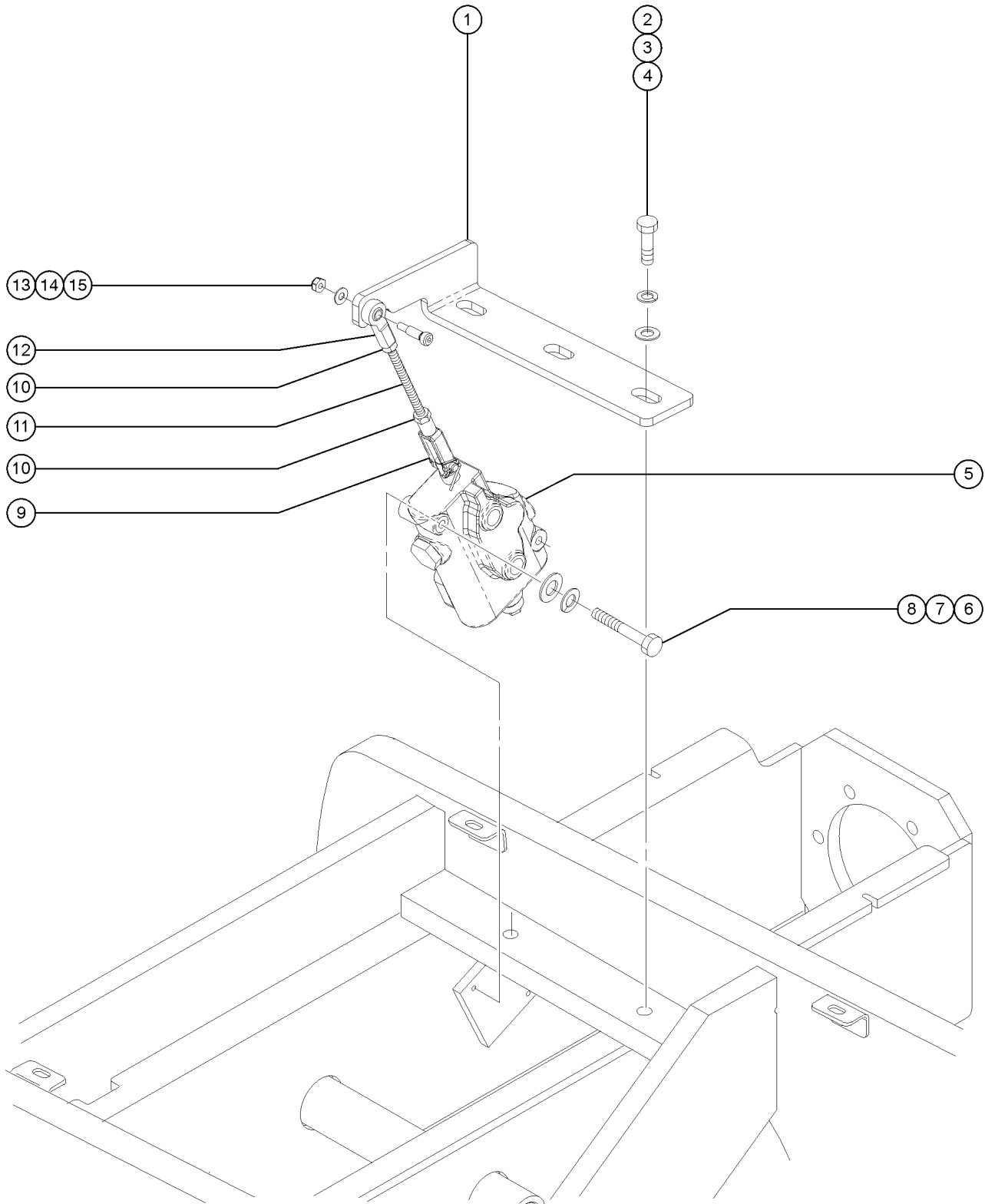
305.1 Oscillation Valve



305.1 Oscillation Valve

Item	Part No.	Description	Qty.
1		Ref., PLATE,BRACKET,OSC VALVE.....1 <i>refer to 305.2</i>	
2	14033GT	SCREW,HHC,3/8-16 X 2.75.....2	
3	6021GT	WASHER,LOCK,.375.....2	
4	5397GT	WASHER,FLAT,USS,5/16",Y.....2	
5	32681GT	SEAL KIT,CONTROL VALVE.....1	
5	49768GT	VLV,MAN,3 POS/4 WAY,CLOSE CTR*....1	
6	6637GT	SCREW,HHC,1/4-20 X 1.75.....2	
7	6356GT	WASHER,LOCK,.25.....2	
8	25926GT	WASHER,FLAT,M6 PLTD.....1	
9	21130GT	CLEVIS YOKE-1/4-28,PLTD W/PIN.....1 <i>includes clevis pin and cotter pin</i>	
10	21496GT	NUT,HEX,1/4-28.....5	
11	30785-600GT	THREADED ROD,1/4-28 X 6 IN***1	
12	6638GT	WASHER,FLAT,USS,1/4"Y.....4	
13		Ref., SPRING,OSC. LINKAGE,.75"LG.....2 <i>refer to 305.2</i>	

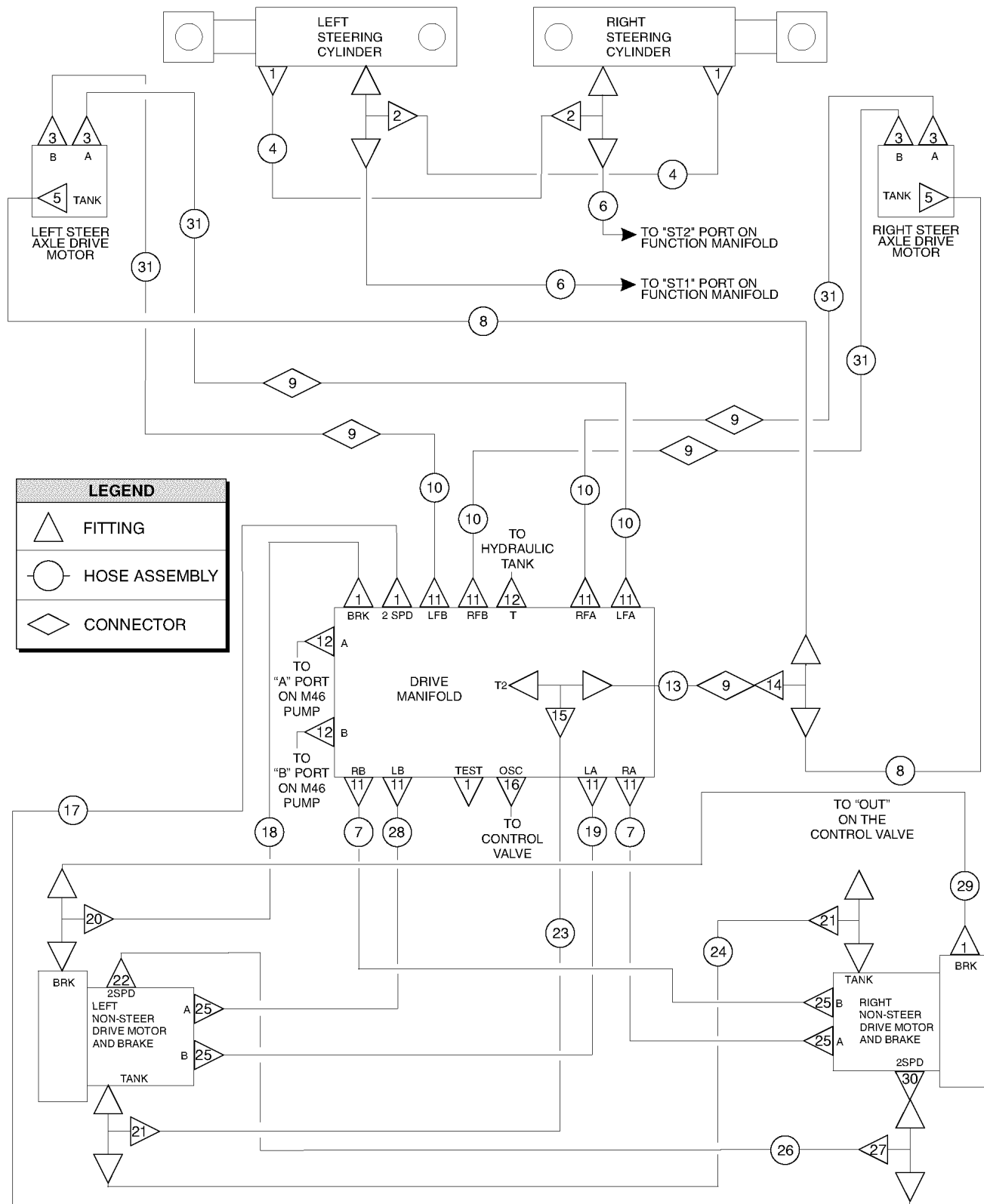
305.2 Oscillation Valve



305.2 Oscillation Valve

Item	Part No.	Description	Qty.
--	T111453GT	KIT,OSCILLATE LINKAGE <i>includes items 1 and 9-15</i>	
1	T107284GT	BRACKET,OSCILLATING VALVE.....	1
2	14033GT	SCREW,HHC,3/8-16 X 2.75.....	3
3	6021GT	WASHER,LOCK,,.375.....	3
4	5397GT	WASHER,FLAT,USS,5/16",Y.....	3
5	49768GT	VLV,MAN,3 POS/4 WAY,CLOSE CTR*....	1
--	32681GT	SEAL KIT,CONTROL VALVE <i>for 49768</i>	
6	4266GT	SCREW,HHC,1/4-20 X 2.....	2
7	6356GT	WASHER,LOCK,,.25.....	2
8	6638GT	WASHER,FLAT,USS,1/4"Y.....	2
9	21130GT	CLEVIS YOKE-1/4-28,PLTD W/PIN.....	1
10	21496GT	NUT,HEX,1/4-28.....	2
11	30785-500GT	THREADED ROD,1/4-28 X 5 IN.....	1
12	81691GT	ROD END,BALL JOINT 1/4-28.....	1
13	5365GT	NUT,NYLOCK,10-24.....	1
14	6146GT	WASHER,FLAT,MS,#10,Y.....	1
15	6584GT	SCREW,SHS,10-24 X .625.....	1

306.1 Hydraulic Hoses and Fittings - Drive and Steer System



306.1 Hydraulic Hoses and Fittings - Drive and Steer System

Item	Part No.	Description	Qty.	Item	Part No.	Description	Qty.
--	49612GT	O-RING KIT (ORFS FITTINGS)		24	49143-4229GT	HOSE ASSY,1/2,90 FEM,STR FEM.....1 8 <i>oscillate models</i>	
--	49613GT	PLUG AND CAP KIT-SERVICE,ORFS*		24	49183-4092GT	HOSE ASSY,1/2,STR FEM,STR FEM.....1 9 <i>non-oscillate models</i>	
1	48904GT	ELBOW,90D,520220-4-4.....	6	25	48948GT	CONN,520120-8-12.....	4
2	48906GT	TEE,RUN,520428-4.....	2	26	49117-4391GT	HOSE ASSY,1/4,90 FEM,STR FEM.....1 9 <i>from SN 20423</i>	
3	48946GT	CONN,520120-8-10.....	4	26	49118-4408GT	Hose Assembly - Components: @ 42 inches (106.7 cm).....1 9 <i>to SN 20422</i>	
4	49119-3078GT	HOSE ASSY 1/4, STR FEM,STR FEM....2 1		27	48891GT	FITTING,TEE,BRANCH,520433-4.....1 <i>from SN 20423</i>	
5	48930GT	CONN,520120-6-8.....	2	27	48919GT	TEE,BRANCH,520429-6.....1 <i>to SN 20422</i>	
6	49117-14391GT	HOSE ASSY,1/4,90 FEM,STR FEM.....2 2		28	49107-3463GT	HOSE ASSY,DMANIF/LR&RR BRAKE...1 9 <i>to SN 20422</i>	
7	49107-3463GT	HOSE ASSY,DMANIF/LR&RR BRAKE...2 3		28	49110-3392GT	HOSE ASSEMBLY-1/2" 100R2.....1 9 <i>from SN 20423</i>	
8	49133-5140GT	HOSE ASSY,T FITTING/DRIVEMOTOR.....2 4		29	49117-5891GT	HOSE ASSY,1/4,90 FEM,STR FEM.....1 9	
9	48894GT	CONN,BULKHEAD,520601-8.....5 <i>to SN 20422</i>		30	48912GT	CONN,520120-4-6***.....1 <i>from SN 20423</i>	
9	77309GT	NUT,BULKHEAD,520118-8.....5 <i>from SN 20423</i>		31	49107-3463GT	HOSE ASSY,DMANIF/LR&RR BRAKE...4 9 <i>to SN 20422</i>	
10	49110-7592GT	HOSE ASSY,D.MANIF/FR D.MOTORS...4 4		31	77312-3577GT	HOSE ASSY,DMANIF/LR&RR BRAKE...4 10 <i>to SN 20421</i>	
11	48933GT	CONN,520120-8***.....	8				
12	48960GT	FITTING,CONN,520120-12***.....	3				
13	49141-5863GT	HOSE ASSY,1/2,45 FEM,STR FEM**.....1 5 <i>to SN 20422</i>					
13	77311-5906GT	HOSE ASSY,BRKT/D.MANIFOLD.....1 6 <i>from SN 20423</i>					
14	48939GT	TEE,BRANCH,520433-8.....	1				
15	48936GT	TEE,BRANCH,520429-8.....	1				
16	48905GT	CONN,520120-4***.....	1				
17	49117-5891GT	HOSE ASSY,1/4,90 FEM,STR FEM.....1 6 <i>from SN 20423</i>					
17	49118-5908SGT	HOSE ASSY,1/4",90 FEM,STR F.....1 7 <i>to SN 20422</i>					
18	49117-5091GT	HOSE ASSY,1/4,90 FEM,STR FEM.....1 7					
19	49107-3863GT	HOSE ASSY,DMANIF/LR DRV MOTOR.....1 7					
20	48890GT	FITTING,TEE,BRANCH,520429-4***.....	1				
21	48935GT	TEE,RUN,520428-8.....	2				
22	48912GT	CONN,520120-4-6***.....	1				
23	49143-3729GT	HOSE ASSY,1/2,90 FEM,STR FEM.....1 8					

306.1 Hydraulic Hoses and Fittings - Drive and Steer System (continued)

Item	Part No.	Description	Qty.
------	----------	-------------	------

Footnotes

1: Hose End - Female, Swivel, ORFS (Parker No. 1JC43-4), Hose End - Female, Swivel, ORFS (Parker No. 1JC43-4) and Hose, 1/4 inch (Parker No. 481TC-4)

2: Hose End - Female, Swivel, ORFS (Parker No. 1JC43-4), Hose End - Female, Swivel, 90°, ORFS (Parker No. 1J943-4) and Hose, 1/4 inch (Parker No. 481TC-4)

3: Hose End - Female, Swivel, ORFS (Parker No. 1JC43-8), Hose End - Female, Swivel, 45°, ORFS (Parker No. 1J743-8) and Hose, 1/2 inch (Parker No. 381-8)

4: Hose End - Female, Swivel, 45°, ORFS (Parker No. 1J743-6), Hose End - Female, Swivel, ORFS (Parker No. 1JC43-8-6) and Hose, 3/8 inch (Parker No. 451TC-6)

5: Hose End - Female, Swivel, ORFS (Parker No. 1JC43-8-6), Hose End - Female, Swivel, ORFS (Parker No. 1JC43-8) and Hose, 1/2 inch (Parker No. 451TC-8)

6: Hose End - Female, Swivel, ORFS (Parker No. 1JC43-8), Hose End - Male, Bulkhead, ORFS (Parker No. 1JB43-8) and Hose, 1/2 inch (Parker No. 451TC-8)

7: Hose End - Female, Swivel, ORFS (Parker No. 1JC43-4), Hose End - Female, Swivel, 90°, ORFS (Parker No. 1J943-6-4) and Hose, 1/4 inch (Parker No. 481TC-4)

8: Hose End - Female, Swivel, ORFS (Parker No. 1JC43-8), Hose End - Female, Swivel, 90°, ORFS (Parker No. 1J943-8) and Hose, 1/2 inch (Parker No. 451TC-8)

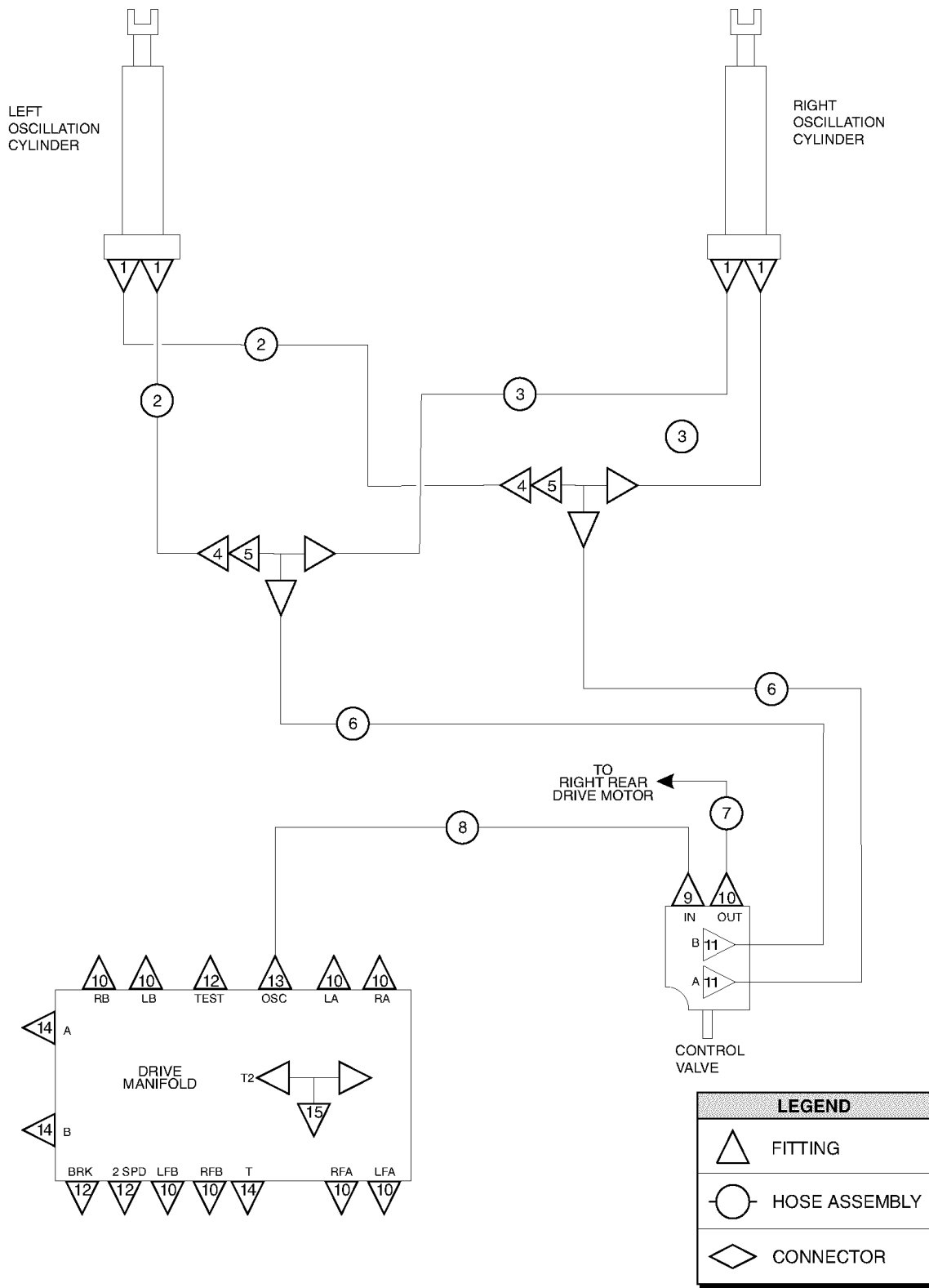
9: Hose End - Female, Swivel, ORFS (Parker No. 1JC43-8), Hose End - Female, Swivel, ORFS (Parker No. 1JC43-8) and Hose, 1/2 inch (Parker No. 381-8)

10: Hose End - Female, Swivel, 45°, ORFS (Parker No. 1J743-8), Hose End - Male, Bulkhead, ORFS (Parker No. 1JB43-8) and Hose, 1/2 inch (Parker No. 381-8)

306.1 Hydraulic Hoses and Fittings - Drive and Steer System
(continued)

This Page Intentionally Left Blank

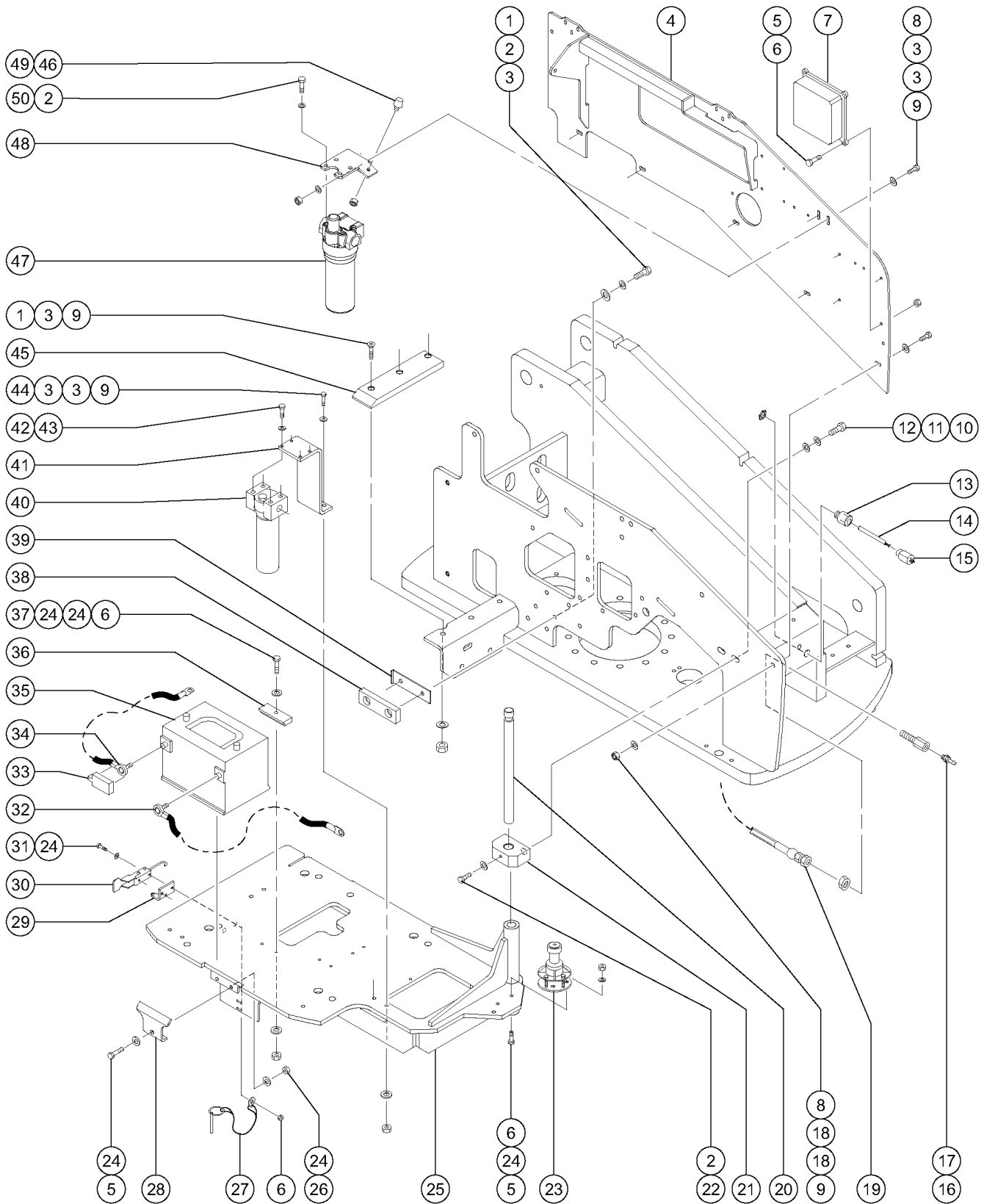
307.1 Hydraulic Hoses and Fittings - Oscillate System



307.1 Hydraulic Hoses and Fittings - Oscillate System

Item	Part No.	Description	Qty.	Item	Part No.	Description	Qty.
--	49612GT	O-RING KIT (ORFS FITTINGS)		Footnotes			
--	49613GT	PLUG AND CAP KIT-SERVICE,ORFS*		1: Hose End, Female, Swivel, ORFS (Parker Number 1JC43-4), Hose End, Female, 90°, Swivel, ORFS (Parker Number 1J943-4) and Hose, 1/4 inch (Parker Number 481TC-4) 2: Hose End, Female, Swivel, ORFS (Parker Number 1JC43-4), Hose End, Female, Swivel, ORFS (Parker Number 1JC43-4) and Hose, 1/4 inch (Parker Number 481TC-4) 3: Hose End, Female, Swivel, ORFS (Parker Number 1JC43-4), Hose End, Male, Bulkhead, ORFS (Parker Number 1JB43) and Hose, 1/4 inch (Parker Number 481TC-4) 4: Hose End, Female, Swivel, ORFS (Parker Number 1JC43-8), Hose End, Female, 90°, Swivel, ORFS (Parker Number 1J943-8) and Hose, 1/2 inch (Parker Number 451TC-8) 5: Hose End, Female, Swivel, ORFS (Parker Number 1JC43-4), Hose End, Female, 90°, Swivel, ORFS (Parker Number 1J943-6-4) and Hose, 1/4 inch (Parker Number 481TC-4)			
1	48912GT	CONN,520120-4-6***	4				
2	49117-2091-SGT	HOSE ASSY,1/4,90 FEM,STR FEM.....2 1	2				
3	49117-3191GT	HOSE ASSY,1/4,90 FEM,STR FEM.....2 1	2				
4	54132GT	ELBOW,SWIVEL 90D, 520221-4.....2 to SN 20422	2				
5	48891GT	FITTING,TEE,BRANCH,520433-4.....2 from SN 20423	2				
5	48909GT	TEE,BULKHEAD,RUN,520958-4.....2 to SN 20422	2				
6	49119-9778GT	HOSE ASSY,1/4,STR FEM,STR FEM.....2 2 to SN 20422	2				
6	75574GT	NUT,BULKHEAD,520118-4.....2 from SN 20423 (item sold seperately)	2				
6	88636-9073GT	HOSE ASSY 1/4,STR FEM,STR BULK...2 3 from SN 20423	2				
7	49143-3729GT	HOSE ASSY,1/2,90 FEM,STR FEM.....1 4	1				
8	49117-3791GT	HOSE ASSY,1/4,90 FEM,STR FEM**1 4 from SN 20423	1				
8	49118-3808GT	HOSE ASSY,D.MANIF/CONTR.VALVE.....1 5 to SN 20422	1				
9	48914GT	CONN,520120-4-8.....1 from SN 20423	1				
9	48930GT	CONN,520120-6-8.....1 to SN 20422	1				
10	48933GT	CONN,520120-8***	9				
11	48911GT	ELBOW,90D,520220-4-6***	2				
12	48904GT	ELBOW,90D,520220-4-4	3				
13	48905GT	CONN,520120-4***	1				
14	48960GT	FITTING,CONN,520120-12***	3				
15	48936GT	TEE,BRANCH,520429-8	1				

401.1 Engine Pivot Plate Components



401.1 Engine Pivot Plate Components

Item	Part No.	Description	Qty.	Item	Part No.	Description	Qty.
1	6019GT	SCREW,HHC,3/8-16 X 1.25 GRD 5.....	5	23	94077GT	SENSOR,LEVEL,4.5 DEG..... <i>from SN 20533</i>	1
2	6021GT	WASHER,LOCK,.375.....	7	24	6638GT	WASHER,FLAT,USS,1/4"Y.....	6
3	5397GT	WASHER,FLAT,USS,5/16",Y.....	13	25	101044GT	PLATE,ENGINE TRAY***.....	1
4	50794GT	WELDMENT,BULKHEAD ENGINE SIDE.....	1	26	6889GT	NUT,LP NYLOCK,1/4-20.....	1
5	6888GT	SCREW,HHC,1/4-20 X 1..... <i>Diesel models</i>	3	27	54432GT	LANYARD,LYNCH PIN ASSY.....	1
6	6091GT	NUT,NYLOCK,1/4-20..... <i>Diesel models</i>	5	28	60081-SGT	BRACKET,BATTERY HOLD DOWN.....	1
7		Ref. Electronic Control Module (ECM)..... <i>Gasoline/LPG models (refer to 402.1)</i>	5	29	54244-SGT	BRACKET,LATCH MOUNT,RH**.....	1
8	8516GT	SCREW, HCC, 3/8-16 X 1.50.....	8	30	27126GT	LATCH,DRAW,ADJUSTABLE.....	1
9	4828GT	NUT,NYLOCK,3/8-16.....	13	31	8915GT	SCREW,HHC,1/4-20 X 1.25.....	2
10	29883GT	SCREW,HHC,5/8-11 X 1.75 GRD.8.....	2	32	54062GT	BATTERY CABLE ASSY,NEG,42"..... <i>Perkins models</i>	1
11	6036GT	WASHER,LOCK,.625 PLTD.....	2	32	54252GT	BATTERY CABLE,SIDE MOUNT,NEG.... <i>Ford and Deutz models</i>	1
12	13064GT	WASHER,FLAT,.625 HARDENED.....	2	33	8910GT	BOOT,CABLE TERM,MED.RED,4/0.....	1
13	54120GT	CONN,STRAIN RELIEF,LP,1/2 NPT.....	1	34	33802GT	BATTERY CABLE,SIDE MOUNT,POS.... <i>Ford models</i>	1
13	6935GT	LOCKNUT,ELEC,1/2".....	1	34	54066GT	BATTERY CABLE ASSY,POS,60"..... <i>Perkins models</i>	1
14	43956GT	WIRE CABLE,14/3 CON.TPE JKT*.....	732-inches	34	54251GT	BATTERY CABLE,SIDE MOUNT,POS.... <i>Deutz models</i>	1
15		FUSE,13 AMP,220V PLUG..... <i>(component no longer available) refer to BS1362 BUSS TDC180-13A</i>	1	35	36872GT	BATTERY, 12V,900 CCA.....	1
15	119403GT	CONN,PLUG 120 AC/15A DOMESTIC... <i>shown</i>	1	36	60078GT	BATTERY HOLD DOWN.....	1
15	1280665GT	PLUG, TYPE F, 230A, 50HZ, 16A, IP44.....	1	37	6637GT	SCREW,HHC,1/4-20 X 1.75.....	1
15	144161GT	PLUG,PWR,UK,16AMP,3PIN,BLK.....	1	38	30138GT	WEAR PAD,5 X 1.5 X .625 W/NUTS.....	1
15	25388GT	PLUG,FUSED,250V,13AMP,U.K.**.....	1	39	42502GT	SHIM,SIDE PAD 22GA.....	2
16	28646GT	ZERK,GREASE,1/8 NPT.....	1				
17	48885GT	CONNECTOR,BULKHEAD,FEMALE-4...1	1	40A		FILTER ASY,M PRESS,SAE8,W/OIND* (77139)..... <i>component no longer available</i>	1
18	6097GT	WASHER,FLAT,USS,3/8",Y.....	12	--	20880GT	FILTER ELEMENT-10 MIC.***..... <i>for 20879</i>	1
19	54088-3438GT	HOSE ASSY,1/4",100R1,FEM/FEM..... <i>to SN 16391</i>	1	--	60857GT	FILTER,ELEMENT,BETA(5)=1000 <i>for 77139</i>	1
19	54953-3408GT	HOSE ASSY,LUBE RINGGEARBEARING..... <i>from SN 16392</i>	1	40B	1267807GT	ASSY, MED. PRESS. FILTER, SAE8	1
20	107803GT	PIN,1.00DIA X 15.56LG,CHAMFER.....	1	--	1268229GT	ELEMENT-5 MIC, PAPER, W/ BYPASS <i>for 1267807</i>	1
21	50427GT	EAR,ENGINE TRAY PIVOT.....	1	41	50696PGT	BRACKET,MID PRES OIL FILTER,PA....	1
22	6175GT	SCREW,HHC,3/8-16 X 1.....	1	42	6090GT	SCREW,HHC,1/4-20 X .75.....	4
23	1260218GT	HARNESS,TILT ALARM,12V..... <i>for CSA models from SN 19812</i>	1	43	6356GT	WASHER,LOCK,.25.....	4
23	1264947GT	KIT, LEVEL SENSOR, 6 PIN CONN..... <i>for CSA models with 6-pin connectors from SN 19812</i>	1	44	13918GT	SCREW,HHC,3/8-16 X 1.75,GRD.8.....	2
23	23083-SGT	FUSE HOLDER,WATERPROOF.....	1	45	50519GT	LOAD PAD,ENGINE TRAY SUPPORT....	1
23	27488GT	FUSE,1 AMP.....	1	46	6782GT	NUT,NYLOCK,5/16-18.....	1
23	44586GT	SENSOR,LEVEL 4.5***..... <i>to SN 20532</i>	1	47A	50530GT	RETURN FILTER ASSY 6 MICRON..... <i>to SN 20757</i>	1
				--	52756GT	FILTER,ELEMENT,F'GLASS,6 MICRN.... <i>for 50530</i>	1

401.1 Engine Pivot Plate Components
(continued)

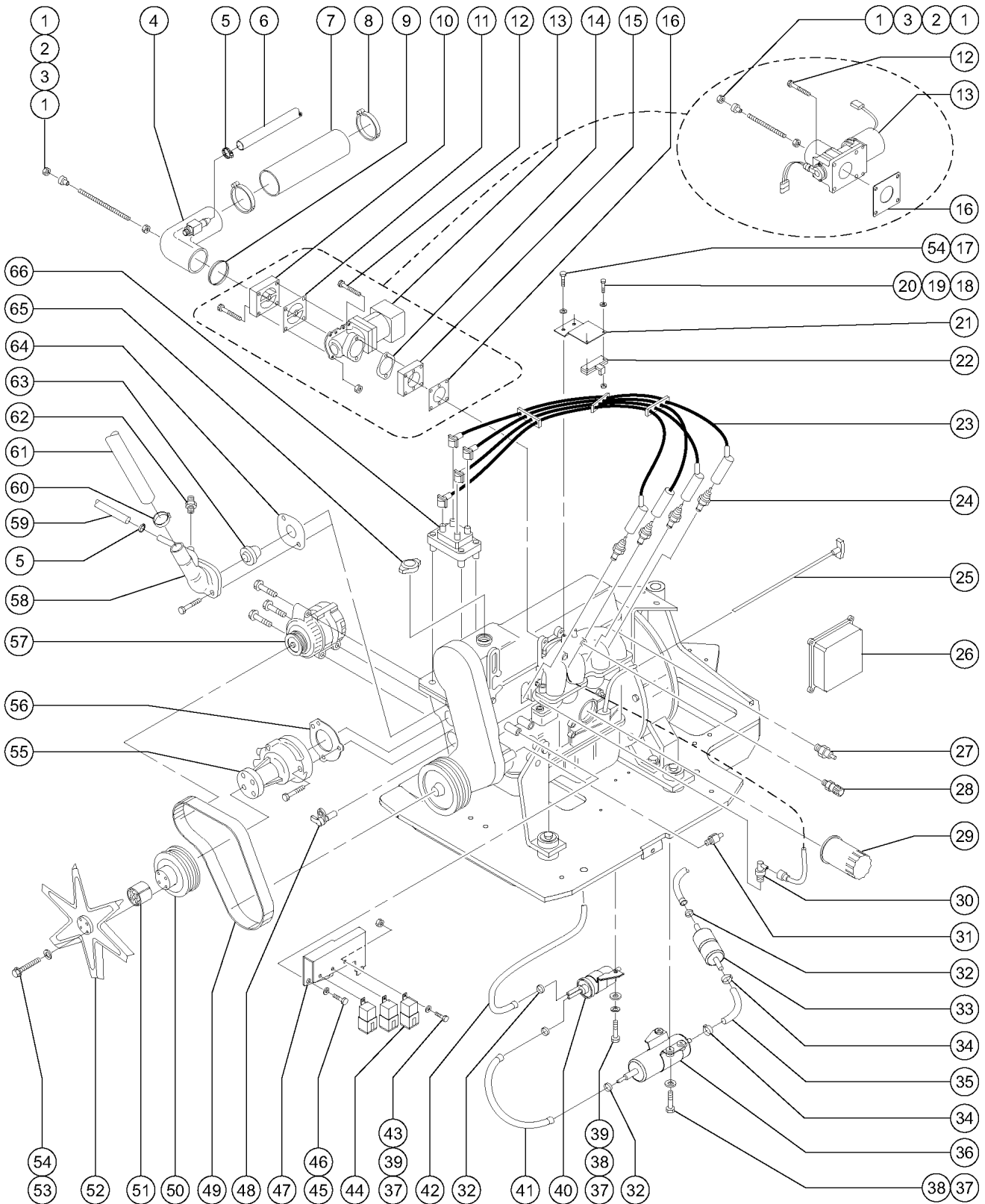
Item	Part No.	Description	Qty.
--	52768GT	GAUGE,MED.PRESSUR FILTER,50530.....1 <i>for 50530</i>	1
47B	60334GT	FILTER ASSY,HIGH PRESS SAE-12*.....1 <i>from SN 20758 (shown)</i>	1
--	60857GT	FILTER,ELEMENT,BETA(5)=1000.....1 <i>for 60334</i>	1
48	50744GT	BRACKET,RETURN FILTER**.....1 <i>to SN 20757</i>	1
48	88269GT	BRACKET,HIGH PRESSURE FILTER.....1 <i>from SN 20758</i>	1
49	30973GT	BUMPER,RUBBER-1 X 1.25.....1 <i>from SN 20758</i>	1
49	50945GT	SUPPORT PAD ENGINE COVER.....1 <i>to SN 20757</i>	1
50	8255GT	SCREW,HHC,3/8-16 X .75.....4	4

Footnotes

1: Quantity listed for this item is approximate.
Actual quantity may vary to ensure proper fit.

This Page Intentionally Left Blank

402.1 Ford LRG-425 EFI Engine - View 1 (from SN 9996 to 19393)



402.1 Ford LRG-425 EFI Engine - View 1 (from SN 9996 to 19393)

Item	Part No.	Description	Qty.	Item	Part No.	Description	Qty.
--	49735GT	ENGINE,FORD LRG 425,EFIZ45 <i>(remanufactured long block only, does not include starter, alternator, radiator or fuel system)</i>		19	6146GT	WASHER,FLAT,MS,#10,Y.....4 to SN 19393	4
--	54056-SGT	HARNESS,ENGINE,Z45 IC GAS**** <i>from SN 9996 to SN 16825</i>		20	6178GT	NUT,NYLOCK,10-32.....2 to SN 19393	2
--	65770GT	BELT,TIMING,FORD LRG423/425EFI		21	54531PGT	BRACKET,MAP SENSOR,PAINTED.....1 to SN 19393	1
--	77042GT	HARNESS,ENGINE,Z45 IC FORD <i>from SN 16826 to SN 19393</i>		22	49898GT	MAP SENSOR, EFI.....1 to SN 19393	1
1	6091GT	NUT,NYLOCK,1/4-20.....4 to SN 19393	4	23	52570GT	SPARK PLUG WIRE SET,LRG425EFI....1 to SN 19393	1
2	18504GT	NUT,LOCKING-LG.FLANGE,1/4-20.....1 to SN 19393	1	24	28647GT	SPARK PLUG,FORD.....4 to SN 19393	4
3	27507GT	THREADED ROD,1/4-20,4.5".....1 <i>from SN 13106 to SN 19393</i>	1	24	52656GT	FUEL INJECTOR,LRG-425 EFI.....4 to SN 19393 <i>(not shown)</i>	4
3	49736GT	POST, ALL THREAD, 1/2-13X 9.00.....1 to SN 13105	1	25	52566GT	DIPSTICK, OIL LEVEL,LRG425 EFI.....1 to SN 19393	1
4	24552GT	VENTURI,BEAM (FORD) ***.....1 to SN 19393	1	26	94922GT	KIT,FORD EFI UPDATE,BASE***.....1 to SN 13104	1
5	46131GT	CLAMP,HOSE,.63" - 1.0" X .5".....2 to SN 19393	2	27	28713GT	SWITCH,OIL PRESSURE,CLOSED***...1 to SN 17340	1
6	54209GT	HOSE,1/2" X 24" LG.....24-inches to SN 19393		27	77114GT	SWITCH,OIL PRES.FORD,NORM.OPEN.....1 <i>from SN 17341 to SN 19393</i>	1
7	50799GT	HOSE,AIR CLEANER,FORD EFI.....1 to SN 19393	1	28	52652GT	SENSOR,AIR TEMP,LRG-425 EFI***.....1 to SN 19393	1
8	30971GT	CLAMP,HOSE,3.00".....2 to SN 19393	2	29	28656GT	FILTER,OIL,FORD.....1 <i>Genie genuine part</i>	1
9	65455GT	GASKET-VENTURI BEAM (FORD).....1 to SN 19393	1	--	1259054GT	FILTER, OIL, FORD <i>Genie aftermarket part</i>	
10	48471GT	ADAPTER,LP VENTURI.....1 to SN 19393	1	30	33957GT	VALVE,PCV-FORD LRG***.....1 to SN 19393	1
11	48477GT	GASKET,LP ADAPTER.....1 to SN 19393	1	31	58900GT	SENSOR,CAM,EFI***.....1 to SN 19393	1
12	49386GT	SCREW,HHC,M8 X 40.....2 to SN 19393	2	32	54123GT	CLAMP,HOSE,1 EAR, 5/8.....4 to SN 19393	4
13A	94922GT	KIT,FORD EFI UPDATE,BASE***.....1 to SN 13105	1	33	52179GT	FILTER, FUEL LRG 425/423 EFI.....1 to SN 19393	1
13B		ACTUATOR, FORD EFI PRECISION....1 <i>from SN 13106 to SN 19393; component no longer available</i>	1	34	21465GT	CLAMP,HOSE,.25" - .63" X .3125.....2 to SN 19393	2
13C	88451GT	THROTTLE ACTUATOR*(BOSCH) <i>models with EFI update kit ONLY</i>		35	27089GT	HOSE,5/16 FUEL,SAE 30R7.....2-inches to SN 19393	
14	52577GT	GASKET - THROTTLE BODY, 425EFI....1 to SN 13105	1	36A	77355GT	FUEL PUMP KIT,LRG 425,WALBRO**....1	1
15	88455GT	ADAPTER,THROTTLE ACTUATOR***....1 to SN 13105	1	36B	77219GT	PUMP, FUEL, LRG425, WALBRO.....1	1
16	52579GT	GASKET,ADAPTER PLATE,425EFI***....1 to SN 19393	1	37	6090GT	SCREW,HHC,1/4-20 X .75.....7 to SN 19393	7
17	23057GT	SCREW,HHC,M8 X 20MM.....2 to SN 19393	2	38	6356GT	WASHER,LOCK,.25.....4 to SN 19393	4
18	49817GT	SCREW,PHILLIPS,PHM,10-32 X1.25.....2 to SN 19393	2	39	6638GT	WASHER,FLAT,USS,1/4"Y.....1 to SN 19393	1
				40	58967GT	FUEL PRESSURE REG,425EFI***.....1 to SN 19393	1

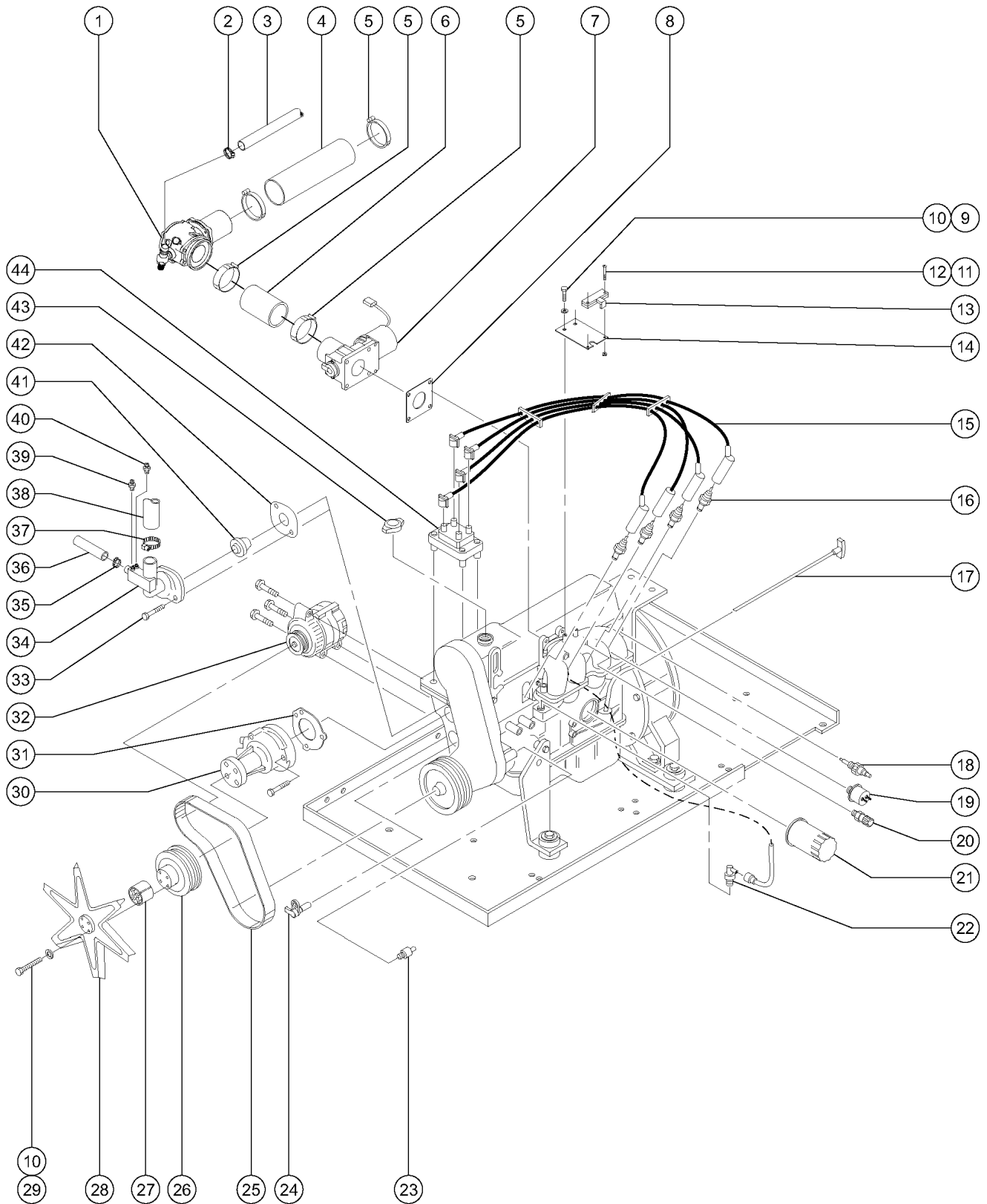
402.1 Ford LRG-425 EFI Engine - View 1 (from SN 9996 to 19393)
(continued)

Item	Part No.	Description	Qty.	Item	Part No.	Description	Qty.
41	27089GT	HOSE,5/16 FUEL,SAE 30R7.....14-inches to SN 19393		65	49881GT	OIL FILLER CAP FOR LRG ENGINE.....1 to SN 19393	
42	27089GT	HOSE,5/16 FUEL,SAE 30R7.....45-inches to SN 19393		66	33970GT	COIL, ELECTRONIC IGN., FORD.....1 to SN 19393	
43	6091GT	NUT,NYLOCK,1/4-20.....3 to SN 19393					
44	52592GT	RELAY - LRG425 EFI.....3 to SN 19393					
45	27034GT	SCREW,HHC,M10 X 25MM,GR 8.8.....2 to SN 19393					
46	22700GT	WASHER,LOCK,M10.....2 to SN 19393					
47	50574GT	BRACKET,RELAY PANEL.....1 to SN 19393					
48	33968GT	SENSOR, CRANK POSITION.....1 to SN 19393					
49	52580GT	BELT,SERPENTINE,LRG425 EFI***1 to SN 19393					
50	52078GT	PULLEY,FORD ENGINE,LRG-423***1 to SN 19393					
51	52077GT	SPACER,FAN TO WATERPUMP LRG423.....1 to SN 19393					
52	52076GT	FAN, LSG423/LRG425.....1 to SN 19393					
53	32309GT	SCREW,HHC,M8 X 60MM X 1.25.....4 to SN 19393					
54	49408GT	WASHER,LOCK,M8.....6 to SN 19393					
55	33963GT	PUMP, WATER, WITH GASKET.....1 to SN 19393					
56	33964GT	GASKET, WATER PUMP.....1 to SN 19393					
57	33960GT	ALTERNATOR,LRG-423 RE-BUILT*.....1 to SN 19393					
58	52573GT	THERMOSTAT HOUSING, LRG425 EFI.....1 to SN 19393					
59	52762GT	HOSE,WATER INLET,LRG425 EFI.....1 to SN 19393					
60	35434GT	CLAMP,HOSE,2.00***1 to SN 19393					
61	33965GT	HOSE, UPPER RADIATOR.....1 to SN 17109					
61	54862GT	HOSE,UPPER RADIATOR,Z45.....1 from SN 17110 to SN 19393					
62	33972GT	SENSOR,COOLANT TEMP*.....1 to SN 19393					
63	33966GT	THERMOSTAT, FORD LRG.....1 to SN 19393					
64	52575GT	GASKET,THERM.HSNG O-RING.....1 to SN 19393					

402.1 Ford LRG-425 EFI Engine - View 1 (from SN 9996 to 19393)
(continued)

This Page Intentionally Left Blank

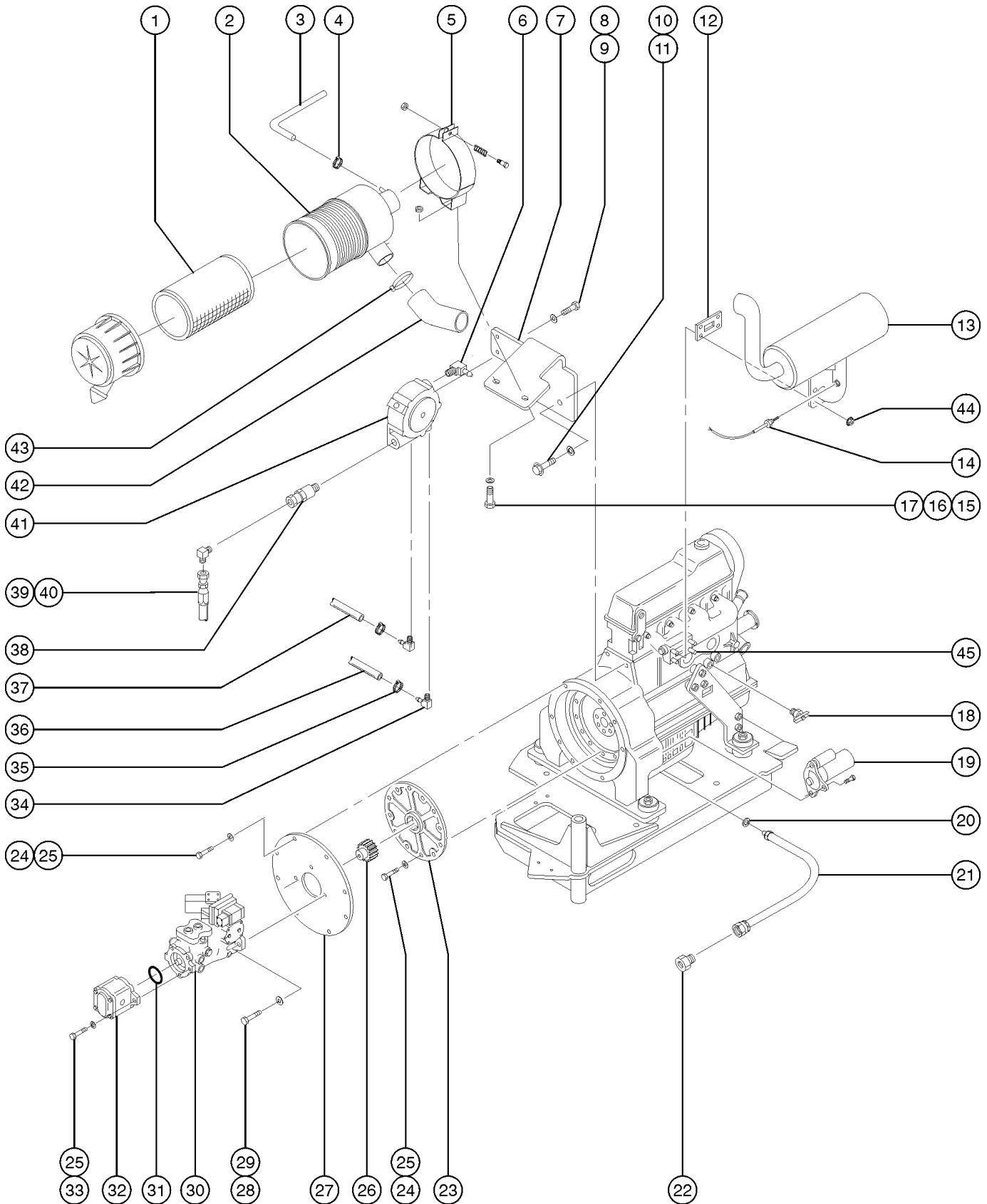
402.2 Ford LRG-425 EFI Engine - View 1 (from SN 19394)



402.2 Ford LRG-425 EFI Engine - View 1 (from SN 19394)

Item	Part No.	Description	Qty.	Item	Part No.	Description	Qty.
--	65770GT	BELT,TIMING,FORD LRG423/425EFI		30	33963GT	PUMP, WATER, WITH GASKET.....1 <i>includes index number 31</i>	
--	77042GT	HARNES,ENGINE,Z45 IC FORD <i>from SN 19394</i>		31	33964GT	GASKET, WATER PUMP.....1	
1	58598GT	AIR VALVE MIXER.....1		32	33960GT	ALTERNATOR,LRG-423 RE-BUILT*.....1	
--	106144GT	AIR HORN,NOLFF MIXER,ALUMINUM*		33	65454GT	BOLT-FLANGE,M6 X 22MM(52573).....2	
--	119203GT	GASKET,NOLFF AIR HORN(106144)*		34	52573GT	THERMOSTAT HOUSING, LRG425 EFI.....1	
--	58599GT	DIAPHRAGM,AIR VALVE MIXER		35	36208GT	CLAMP,HOSE,1.25**.....1	
2	46131GT	CLAMP,HOSE,.63" - 1.0" X .5".....2		36	52762GT	HOSE,WATER INLET,LRG425 EFI.....1	
3	81631GT	HOSE,VAPOR,LP SPECIFIC.....31 inches		37	22672GT	CLAMP,HOSE,1.75.....1	
4	77166GT	HOSE,AIR CLEANER,FORD/NOLFF.....1		38	54862GT	HOSE,UPPER RADIATOR,Z45.....1	
5	30971GT	CLAMP,HOSE,3.00".....4		39	65456GT	SENDING UNIT-H20TMP LRG425EFI*...1	
6	27211-0250GT	HOSE,AIR INTAKE,2.625"IDX2.50".....1		40	33972GT	SENSOR,COOLANT TEMP*.....1	
7A		ACTUATOR, FORD EFI PRECISION.....1 <i>component no longer available</i>		41	33966GT	THERMOSTAT, FORD LRG.....1	
7B	88451GT	THROTTLE ACTUATOR*(BOSCH) <i>models with EFI update kit ONLY</i>		42	52575GT	GASKET,THERM.HSNG O-RING.....1	
8	52579GT	GASKET,ADAPTER PLATE,425EFI***.....1		43	49881GT	OIL FILLER CAP FOR LRG ENGINE.....1	
9	23057GT	SCREW,HHC,M8 X 20MM.....2		44	33970GT	COIL, ELECTRONIC IGN., FORD.....1	
10	49408GT	WASHER,LOCK,M8.....7					
11	49817GT	SCREW,PHILLIPS,PHM,10-32 X1.25.....2					
12	6178GT	NUT,NYLOCK,10-32.....6					
13	49898GT	MAP SENSOR, EFI.....1					
14	53821PGT	BRACKET,MAP SENSOR,PAINTED.....1					
15	52570GT	SPARK PLUG WIRE SET, LRG425EFI...1					
16	28647GT	SPARK PLUG,FORD.....4					
16	52656GT	FUEL INJECTOR, LRG-425 EFI.....4 <i>not shown</i>					
17	52566GT	DIPSTICK, OIL LEVEL,LRG425 EFI.....1					
18	33972GT	SENSOR,COOLANT TEMP*.....1					
19A	30810GT	SENDING UNIT,OIL PRESSURE***.....1 <i>dual-terminal sender</i>					
19B	28713GT	SWITCH,OIL PRESSURE,CLOSED***					
20	52652GT	SENSOR,AIR TEMP,LRG-425 EFI***.....1					
21	28656GT	FILTER,OIL,FORD.....1 <i>Genie genuine part</i>					
--	1259054GT	FILTER, OIL, FORD <i>Genie aftermarket part</i>					
22	33957GT	VALVE,PCV-FORD LRG***.....1					
23	58900GT	SENSOR,CAM,EFI***.....1					
24	33968GT	SENSOR, CRANK POSITION.....1					
25	52580GT	BELT,SERPENTINE,LRG425 EFI***.....1					
26	52078GT	PULLEY,FORD ENGINE,LRG-423***.....1					
27	52077GT	SPACER,FAN TO WATERPUMP LRG423.....1					
28	52076GT	FAN, LSG423/LRG425.....1					
29	32309GT	SCREW,HHC,M8 X 60MM X 1.25.....4					

403.1 Ford LRG-425 EFI Engine - View 2



403.1 Ford LRG-425 EFI Engine - View 2

Item	Part No.	Description	Qty.	Item	Part No.	Description	Qty.
1	27916GT	FILTER,AIR,ELEMENT***.....1 to SN 20670	1	21	27903GT	HOSE,LOW PRESSURE,.375 ID,BLK.....29-inches to SN 20183	
1	77295GT	FILTER ELEMENT,AIR,NOLFF LPG.....1 from SN 20671	1	21	63427GT	HOSE ASSY,FORD OIL DRAIN 1/2".....1 shown; from SN 20184	
2	111634GT	AIR CLEANER,FORD,T3.....1	1	22	36985GT	VALVE,ENGINE OIL DRAIN.....1 to SN 20183	
2	1277991GT	CLIP,AIR CLEANER COVER (58247) for 58247	1	22	63426GT	PLUG,070109-8.....1 shown; from SN 20184	
2	227988GT	VACUATOR VALVE		23	33024GT	FLYWHEEL FLANGE,GREEN PLASTIC.....1	
2	38922GT	ELBOW,90DEG.1/8MPT-5/16 BARB		24	6175GT	SCREW,HHC,3/8-16 X 1.....14	
2	49740GT	AIR CLEANER,FORD EFI***.....1 includes index number 1; to SN 20670	1	25	6021GT	WASHER,LOCK,.375.....16	
2	52658GT	NUT - WING, AIR FILTER, 425EFI.....1	1	26	37002GT	COUPLER,HUB,15 TOOTH 7/16BOLT*.....1	
2	58247GT	AIR CLEANER CAP/ FORD/NOLFF***		27	25571P-SGT	PLATE,PUMP MOUNT,FORD,PAINTED.....1	
2	58917GT	END CAP,AIR FILTER-27915&49740.....1	1	28	22788GT	SCREW,HHC,1/2-13 X 1.75.....2	
3	54209GT	HOSE,1/2" X 24" LG.....24-inches		29	6033GT	WASHER,LOCK,0.5".....2	
4	46131GT	CLAMP,HOSE,.63" - 1.0" X .5".....1	1	30	22965GT	EDC ASSY,SAUER,M46***.....1 1 includes mounting fasteners	
5	53952GT	BRKT,AIR CLEANER ORIENTATION**.....1	1	30	27067GT	SEAL,SHAFT-SUNDSTRAND***.....1 1	
6	36203GT	ELBOW,90DEG.3/8MPT-5/8 BARB.....1	1	30	29739GT	SEAL KIT,SAUER-DANFOSS M46***.....1 1	
7	50717PGT	BRACKET,AIR CLEANER ATTACH,PAI.....1 to SN 19393	1	30	32611GT	SHAFT,M46 15 TOOTH.....1 1	
7	77165PGT	BRACKET,AIR CLEANER MNT,PAINT....1 from SN 19394	1	30	46674GT	PUMP,VAR.PISTON M46 2.8 CIQVP*.....1 1	
8	6090GT	SCREW,HHC,1/4-20 X .75.....2	2	30	49770GT	PUMP,M46/GEAR,2.8/.67***.....1 includes index numbers 31, 32 and 2 each index numbers 25 and 33; from SN 10772	
9	6356GT	WASHER,LOCK,.25.....2	2	30	54217GT	PUMP,VAR PISTON,Z45 IC.....1	
10	25548GT	SCREW,HHC,M10 X 40MM,GRD8.....2	2	31	29436GT	O-RING***.....1	
11	22700GT	WASHER,LOCK,M10.....2	2	32	31249GT	SEAL KIT,LIFT PUMP**.....1 for pump 31248	
12	27142GT	GASKET,EXHAUST***.....1	1	32	54222GT	PUMP,PIGGY BACK,.67 C.I.,Z45IC.....1 from SN 10772	
13	50446GT	MUFFLER,FORD LRG EFI,Z45.....1	1	32	77990GT	KIT,SEAL,3CC PUMP***.....1	
14	52564GT	SENSOR,O2,LRG 425 EFI***.....1	1	33	33988GT	SCREW,SHC,3/8-16 X 1.....2	
15	13002GT	SCREW,HHC,5/16-18 X 1 GR5.....2 shown; from SN 20671	2	34	37017GT	HOSE END,90DEG,.63 HS X.25 MPT.....2	
15	219437GT	ISOLATOR, VIBRATION.....2 to SN 20670	2	35	24165GT	PLATE,HINGE BACK-UP.....2	
16	6638GT	WASHER,FLAT,USS,1/4"Y.....2 from SN 20671	2	36	53832GT	HOSE,FIRE RES.,5/8 ID,BULK.....41-inches	
17	18503GT	NUT,LOCKING-LG.FLANGE,5/16-18.....4 to SN 20670	4	37	52762GT	HOSE,WATER INLET,LRG425 EFI.....1	
18	28717GT	VALVE,DRAIN,FORD,BLOCK,RAD.....1	1	38	27010GT	VALVE,LOCK OFF,BEAM #FL-418.....1	
19	29606GT	RING GEAR,FORD***.....1 FITS LSG-LRG 423, AND LRG425	1	39	119055GT	HOSE ASSY,LP GAS.....1 144 inches	
19	29616GT	STARTER,ENGINE,FORD LSG/LRG***.....1	1				
20	53910GT	GASKET, FORD OIL DRAIN.....1 from SN 20184	1				

403.1 Ford LRG-425 EFI Engine - View 2
(continued)

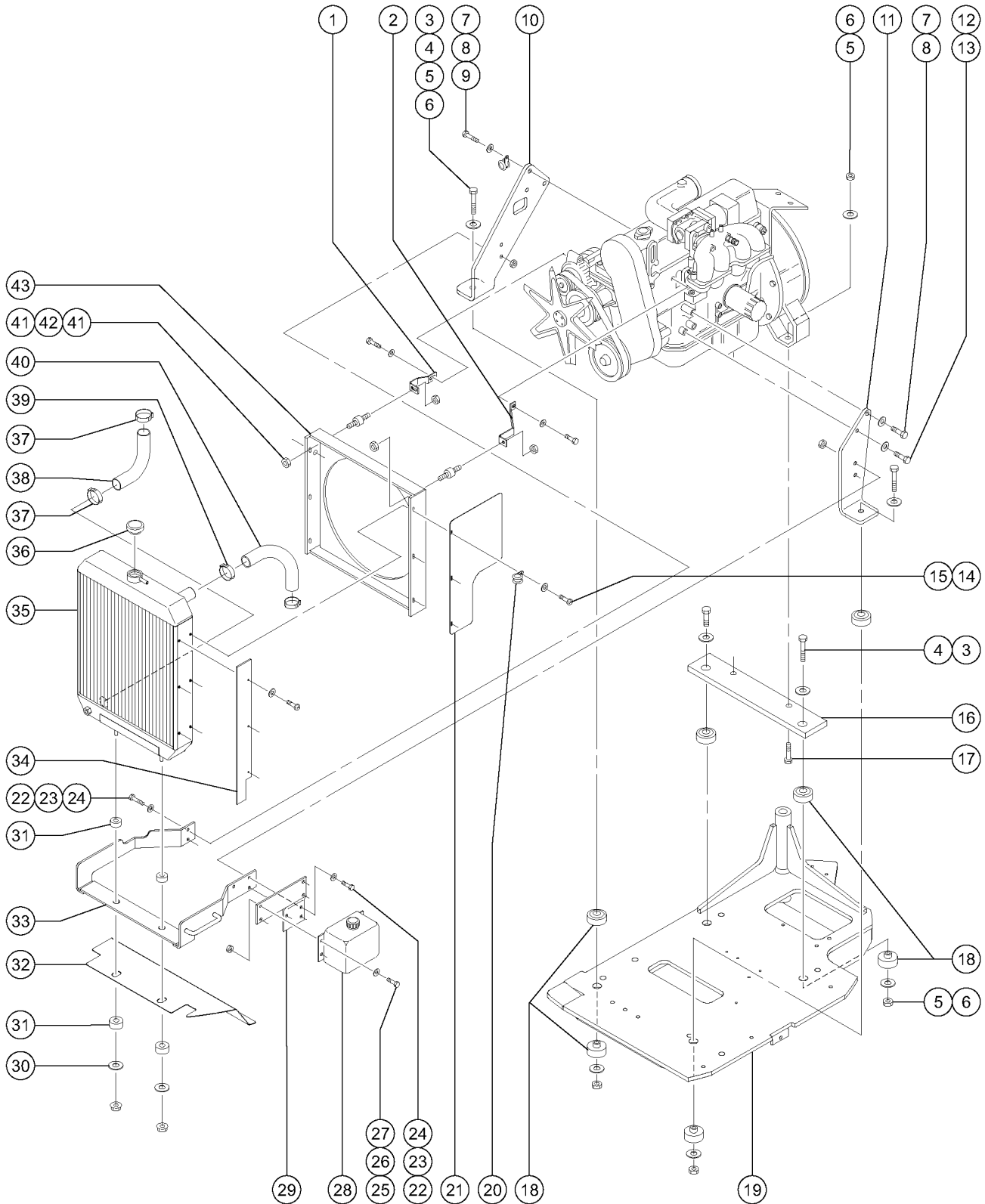
Item	Part No.	Description	Qty.
40	19859GT	ELBOW,010202-6-4.....	1
41	22279GT	REGULATOR,LPG BEAM 60***.....	1
41	24470GT	REGULATOR DIAPH.KIT BEAM 50/60...1	
41A	102119GT	HOSE,3/4,LP.....as needed <i>from regulator to mixer</i>	
42	34162-800GT	HOSE,AIR INTAKE 2.5 ID 8.00LG.....1 <i>from SN 20671</i>	
42	60036GT	HOSE,AIR INTAKE,FORD EFI***.....1 <i>to SN 20670</i>	
43	30971GT	CLAMP,HOSE,3.00".....	1
44	35818GT	NUT,EXHAUST MANIFOLD-FORD,LRG.....	4
45	35817GT	STUD,EXHAUST MANIFOLD-FORD,LRG.....	4

Footnotes

1: for pump 46673

This Page Intentionally Left Blank

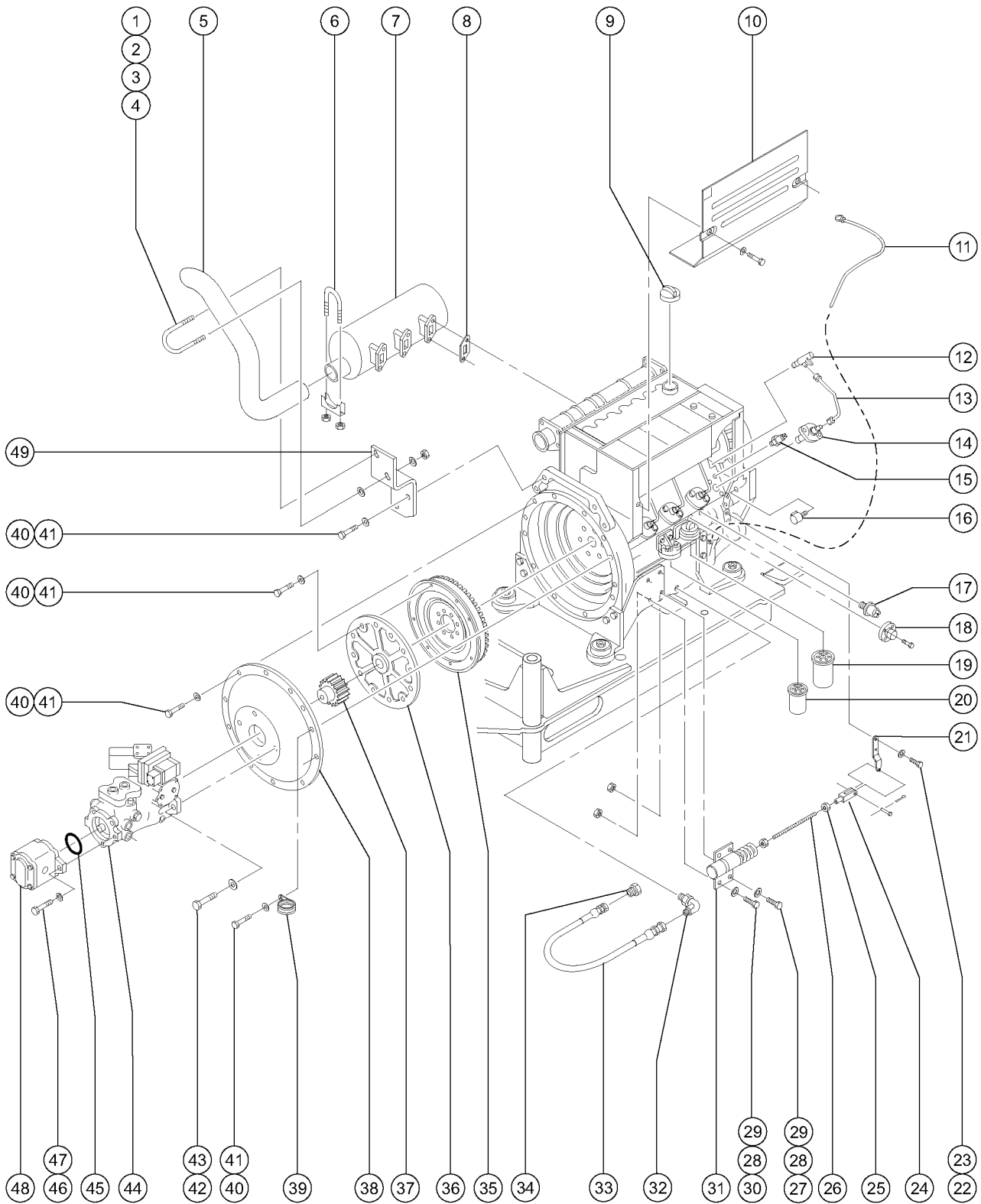
404.1 Ford LRG-425 EFI Engine - View 3



404.1 Ford LRG-425 EFI Engine - View 3

Item	Part No.	Description	Qty.	Item	Part No.	Description	Qty.
1	50588GT	STRUT,RADIATOR RH,FORD EFI.....1 to SN 17109	1	33	50705GT	WELDMENT,RADIATOR MOUNT.....1 to SN 17109	1
1	54691GT	STRUT,RADIATOR RH,FORD EFI.....1 from SN 17110	1	33	54591GT	WELDMENT,RADIATOR MOUNT,FORD.....1 from SN 17110	1
2	54356GT	STRUT,RADIATOR LH,FORD EFI.....1 to SN 17109	1	34	54189GT	SEAL,RUBBER,BAFFLE,FORD.....1	1
2	54690GT	STRUT,RADIATOR LH,FORD EFI.....1 from SN 17110	1	35		SEAL,BAFFLE,FRONT,OUTSIDE,EFI.....1 component no longer available	1
3	8357GT	SCREW,HHC,1/2-13 X 3.5.....4	4	35	110304GT	RADIATOR,FORD/PERKINS***.....1 from SN 17110	1
4	24040GT	WASHER, 1/2 PLATE (1/2 X 2.25 X 3/16).....2	2	35	28717GT	VALVE,DRAIN,FORD,BLOCK,RAD.....1	1
5	6095GT	WASHER,FLAT,USS,1/2",Y.....6	6	35	33969GT	RADIATOR,FORD,LRG.....1 to SN 17109	1
6	6198GT	NUT,NYLOCK,1/2-13.....6	6	35	50979PGT	BAFFLE,RAD. FRNT,FORD,.....1 not shown	1
7	27034GT	SCREW,HHC,M10 X 25MM,GR 8.8.....4	4	35	54608GT	PLATE,AIR BAFFLE,FORD.....1 not shown	1
8	22700GT	WASHER,LOCK,M10.....4	4	35	54616GT	SEAL,RUBBER,BAFFLE,PERKIN/FORD.1 not shown	1
9	45454GT	CLAMP,RUB CUSH,0.75,#12 X 3/8*.....1	1	36	27943GT	CAP,RADIATOR,FORD***.....1	1
10	50709PGT	ENGINE MOUNT FOOT,R.H.,PAINTED.....1	1	37	13014GT	CLAMP,HOSE,2.25" DIA.....2	2
11	50710PGT	ENGINE MOUNT FOOT,L.H.,PAINTED.....1	1	38	77170GT	HOSE,LOWER RADIATOR,Z45.....1	1
12	23057GT	SCREW,HHC,M8 X 20MM.....1	1	39	45171GT	CLAMP,HOSE,1.75,LINED.....2	2
13	6886GT	WASHER,LOCK,.313.....1	1	40	33965GT	HOSE, UPPER RADIATOR.....1 to SN 17109	1
14	57075GT	SCREW,PHIL,8-32X.50,SELF TAP.....9	9	40	54862GT	HOSE,UPPER RADIATOR,Z45.....1 from SN 17110	1
15	6146GT	WASHER,FLAT,MS,#10,Y.....9	9	41	18506GT	SCREW 5/16-18 X .75 LG.FLG.LCK.....4	4
16	50437PGT	PLATE,ENG MT BELL HOUSE,PAINTE.....1	1	42	219437GT	ISOLATOR, VIBRATION.....2	2
17	6096GT	SCREW,HHC,1/2-13 X 2 GR5.....2	2	43	50764PGT	SHROUD,RADIATOR,FORD LGR425,PA.....1 to SN 17109	1
18	24037GT	SHOCK MOUNT,LARGE**.....8	8	43	54598PGT	SHROUD,RADIATOR,FORD LGR425,PA.....1 from SN 17110	1
19	101044GT	PLATE,ENGINE TRAY***.....1	1				
20	6833GT	CLAMP,0.50,#8 X 1/4,RUB CUSH.....1	1				
21	54487PGT	GUARD,FAN,FORD/PERKINS,PAINTED.1	1				
22	8516GT	SCREW, HCC, 3/8-16 X 1.50.....4	4				
23	5397GT	WASHER,FLAT,USS,5/16",Y.....10	10				
24	4828GT	NUT,NYLOCK,3/8-16.....5	5				
25	6090GT	SCREW,HHC,1/4-20 X .75.....4	4				
26	6638GT	WASHER,FLAT,USS,1/4"Y.....4	4				
27	6091GT	NUT,NYLOCK,1/4-20.....4	4				
28	1279268GT	BOTTLE, COOLANT RECOVERY, 2QT.....1	1				
28	72327GT	CAP, COOLANT RET SYS(54071).....1	1				
29	50976PGT	BRACKET,COOLANT TANK MOUNT.....1	1				
30	15086GT	WASHER,FLAT,.375 X 1.5 X .125.....2	2				
31	24038GT	SHOCK MOUNT,SMALL.....4	4				
32	50925PGT	PLATE,RADIATOR BAFFLE,PAINTED....1 to SN 17109	1				
32	54599PGT	PLATE,RADIATOR BAFFLE,PAINTED....1 from SN 17110	1				

405.1 Deutz F3L 1011F Engine - View 1



405.1 Deutz F3L 1011F Engine - View 1

Item	Part No.	Description	Qty.	Item	Part No.	Description	Qty.
--	70453GT	ENGINE,DEUTZ D2011L031 <i>F3L 1011 AND F3L 1011F Engines only</i>		21	50787-SGT	LEVER, GOVERNOR ACTUATOR.....1	
--	77079GT	HARNESS,ENGINE,Z45 IC DEUTZ.....1 <i>to SN 21180</i>		22	22578GT	SCREW,HHC,M6 X 20MM,GR8.8.....2	
1	16584GT	U-BOLT, KIT 5/16-18 X 2.5 ***1		23	49407GT	WASHER,LOCK,M6.....2	
2	6638GT	WASHER,FLAT,USS,1/4"Y.....2		24	21130GT	CLEVIS YOKE-1/4-28,PLTD W/PIN.....1 <i>includes clevis pin and cotter pin</i>	
3	6886GT	WASHER,LOCK,.313.....2		25	21496GT	NUT,HEX,1/4-28.....2	
4	6037GT	NUT,HEX,5/16-18,GR5.....2		26	30785-1000GT	THREADED ROD,1/4-28 X 10 IN***.....1	
5	50761GT	EXHAUST PIPE,DEUTZ 3 CYL DSL.....1		27	6090GT	SCREW,HHC,1/4-20 X .75.....3	
6	30438GT	CLAMP,MUFFLER,2 1/4" ID.....1		28	49407GT	WASHER,LOCK,M6.....4	
7	32695GT	MUFFLER,DEUTZ.....1 <i>includes index numbers 6 and 8</i>		29	6091GT	NUT,NYLOCK,1/4-20.....4	
7	54822GT	OPT,SCRUB/SPARK ARREST,DEUTZ....1		30	6888GT	SCREW,HHC,1/4-20 X 1.....1	
8	29559GT	GASKET,EXHAUST.....3		31	29073GT	SOLENOID,THROTTLE.....1	
9	29557GT	CAP,OIL FILLER,DEUTZ,DIESEL ***1		31	52537GT	BOOT,SOLENOID,29073.....1	
10	52353GT	COVER,ENGINE SIDE (F30-1011F).....1		31	77252GT	SERVICE KIT,VICKERS BRKT.ASSY.....1 <i>not shown</i>	
11	54301GT	O-RING,NEOPRENE,.469IDX.094THK...1		32	54428GT	FITTING,HYDRAULIC,90DEG,O-RING...1 <i>to SN 20183</i>	
11	54790GT	DIPSTK &TUBE ASSY,DEUTZ 3CYL.*...1 <i>includes tube</i>		32	77379GT	FITTING,M18X8,C87OMX.....1 <i>from SN 20184</i>	
12	49919GT	INJECTOR - DEUTZ F4L1011F.....1		33	49110-2092GT	HOSE ASSY,OIL DRAIN,DEUTZ.....1 <i>to SN 20183</i>	
13	49921GT	FUEL LINE INJ. DEUTZ F4L1011F.....1		33	49177-2094GT	HOSE ASSEMBLY,1/2"***1 <i>from SN 20184</i>	
14	49929GT	INJECTOR PUMP - DEUTZ F4L1011F...1		34	53538GT	PLUG,520109-8,ORFS.....1 <i>to SN 20183</i>	
15	34059GT	SENDING UNIT,OIL TEMP.....1		34	63426GT	PLUG,070109-8.....1 <i>from SN 20184</i>	
16	T114678GT	SHUTDOWN SOLENOID,12V, DEUTZ....1 <i>(must order cable assembly, 58256, if replacing 32752) (includes o-ring)</i>		35	49917GT	RING GEAR,DEUTZ F3 & F4L1011F*....1 <i>(please verify ring gear thickness) 0.46 inches</i>	
--	45782GT	DIODE,6 AMP,200 PIV,BULK		--	33729GT	RING GEAR,DEUTZ F3 & F4L1011*.....1 <i>(please verify ring gear thickness) 0.365 inches</i>	
--	58256GT	SOLENOID CABLE ASSY***		--	89785GT	RING GEAR,DEUTZ F3L2011F.....1 <i>(please verify ring gear thickness) 0.6 inches</i>	
--	72255GT	CONNECTOR, DEUTZ FUEL SHUTOFF* <i>(does not include diode, 45782)</i>		36	33024GT	FLYWHEEL FLANGE,GREEN PLASTIC.....1	
17	139624GT	SWITCH, OIL PRESSURE 1.5 BAR.....1 <i>(replaced 65765)</i>		37	37003GT	COUPLER,HUB,15 TOOTH 7/16BOLT*.....1	
--	139666GT	KIT,OP SWITCH,DEUTZ <i>(oil pressure kit for models with ALC-500 control system. replaces 65765. includes item 139624 and instructions)</i>		38	30806GT	FLYWHEEL COVER,CASTING***.....1	
18	49923GT	PUMP, FUEL LIFT, F4L1011F.....1		39	49863GT	CLAMP,1.13,#18 X 3/8,RUB CUSH*.....2	
19	49924GT	FILTER,OIL,DEUTZ F4L1011F.....1 <i>Genie Genuine Part. See PN 1255653 for compatible aftermarket replacement.</i>		40	44064GT	SCREW,HHC,M10 X 30MM,.....19	
--	1255653GT	FILTER,OIL,DEUTZ,REPLACEMENT.....1 <i>Genie Aftermarket Part. Compatible with Genie Genuine Part 49924.</i>		41	22700GT	WASHER,LOCK,M10.....19	
20	29560GT	FILTER,FUEL/WTR SEP, DTZ 1008.....1 <i>Genie Genuine Part. See PN 1254826 for compatible aftermarket replacement.</i>		42	6096GT	SCREW,HHC,1/2-13 X 2 GR5.....2	
--	1254826GT	FUEL FILTER W/SEP,DEUTZ,1008.....1 <i>Genie Aftermarket Part. Filter for Deutz F3L 1011F Engine.</i>		43	6033GT	WASHER,LOCK,0.5".....2	
				44	22965GT	EDC ASSY,SAUER,M46***1 ¹ <i>includes mounting fasteners</i>	

405.1 Deutz F3L 1011F Engine - View 1 (continued)

Item	Part No.	Description	Qty.
44	27067GT	SEAL,SHAFT-SUNDSTRAND***.....1 1	1
44	29739GT	SEAL KIT,SAUER-DANFOSS M46***1 1	1
44	32611GT	SHAFT,M46 15 TOOTH.....1 1	1
44	46674GT	PUMP,VAR.PISTON M46 2.8 CIQVP*.....1 1	1
44	49770GT	PUMP,M46/GEAR,2.8/.67***1 <i>includes index numbers 45, 48 and 2 each index numbers 46 and 47; from SN 10772</i>	1
44	54217GT	PUMP,VAR PISTON,Z45 IC.....1	1
45	29436GT	O-RING***1	1
46	22788GT	SCREW,HHC,1/2-13 X 1.75.....2	2
47	6021GT	WASHER,LOCK,.375.....2	2
48	31249GT	SEAL KIT,LIFT PUMP**.....1 2	1
48	54222GT	PUMP,PIGGY BACK,.67 C.I.,Z45IC.....1 <i>from SN 10772</i>	1
48	77990GT	KIT,SEAL,3CC PUMP***.....1	1
49	50564GT	BRACKET,MUFFLER,DEUTZ 3 CYL.....1	1

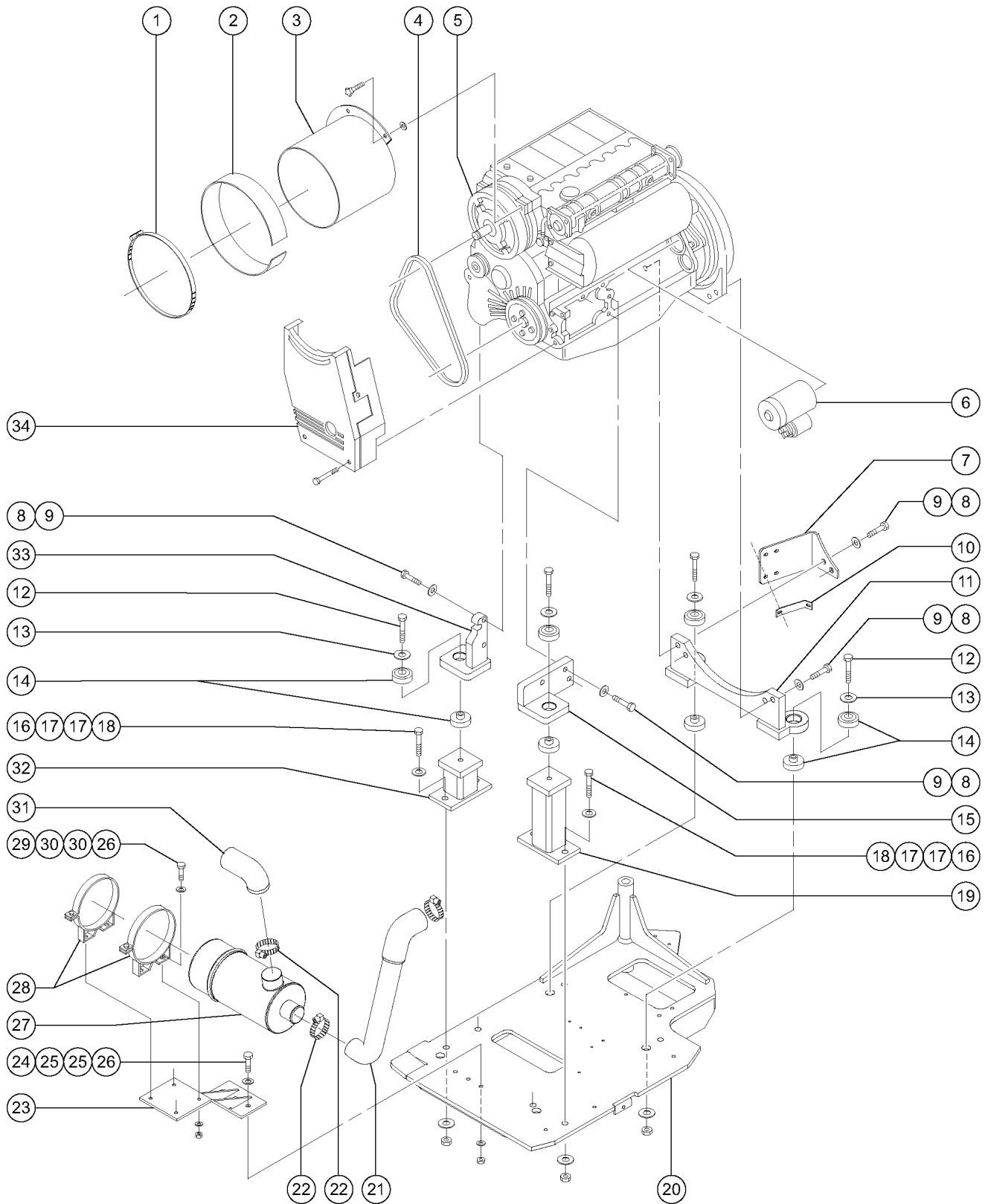
Footnotes

1: for pump 46673

2: for pump 31248

This Page Intentionally Left Blank

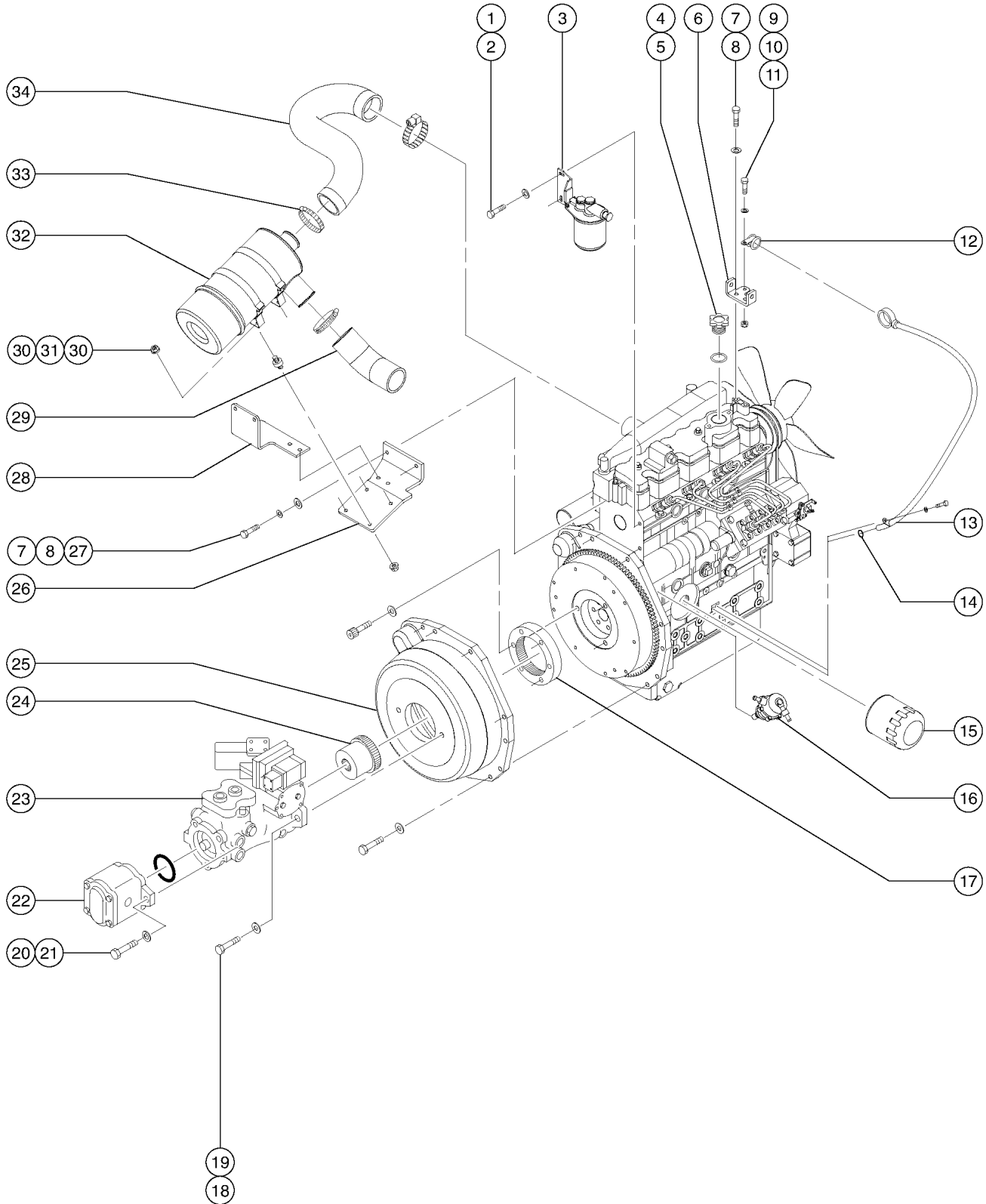
406.1 Deutz F3L 1011F Engine - View 2



406.1 Deutz F3L 1011F Engine - View 2

Item	Part No.	Description	Qty.	Item	Part No.	Description	Qty.
1	31523GT	CLAMP,HOSE,8.50 DIA***.....	1	31	50941GT	HOSE,90DEG 2.5" AIR INTAKE.....	1
2	33239GT	SHEET,RUBBER,AIR INTAKE.....	1	32	50996GT	MOUNT POST,RH.....	1
3	50579PGT	WELDMENT,AIR INTAKE TUBE,PAINT.....	1	33	50985GT	WELDMENT,RH ENGINE MOUNT,DTZ.....	1
4	32698GT	BELT,V, DEUTZ DIESEL ENGINE.....	1	34	29555GT	COVER,FRONT DEUTZ ENGINE.....	1
5	35586GT	ALTERNATOR, DEUTZ F3L10/F4L10*....	1				
6	139709GT	STARTER, 12V <i>9 tooth; inspect old starter before ordering</i>					
6	37950GT	STARTER,DEUTZ,F4L1011F/F3L1011... <i>11 tooth; inspect old starter before ordering</i>	1				
--	49915GT	SOLENOID-STARTR DEUTZF4L1011F*.....	1				
7	54282GT	BRACKET,TROMBETTA MOUNT***.....	1				
8	34265GT	SCREW,HHC,M14 X 55.....	9				
9	37505GT	WASHER,LOCK,M14.....	9				
10	77191PGT	BRACKET,TROMBETTA BRACE,PAINTD.....	1				
11	54280GT	WELDMENT,ENGINE MOUNT,REAR....	1				
12	47186GT	SCREW,HHC,5/8-11 X 4.5.....	4				
13	33418GT	WASHER,FLAT,.625 X 2.25 X.15.....	4				
14	28076GT	ISOLATOR,VIBRATION,LG,RD&WH***....	4				
15	50989GT	WELDMENT,LH ENGINE MOUNT,DTZ.....	1				
16	51131GT	SCREW,HHC,5/8-11 X 2.5.....	4				
17	13064GT	WASHER,FLAT,.625 HARDENED.....	8				
18	6024GT	NUT,NYLOCK,5/8-11.....	4				
19	50995GT	MOUNT POST,LH.....	1				
20	101044GT	PLATE,ENGINE TRAY***.....	1				
21	70375GT	HOSE,AIR CLEANER.....	1				
22	30971GT	CLAMP,HOSE,3.00".....	3				
23	60077GT	WELDMENT,AIR CLEANER BRACKET.....	1				
24	8516GT	SCREW, HCC, 3/8-16 X 1.50.....	3				
25	6097GT	WASHER,FLAT,USS,3/8",Y.....	6				
26	4828GT	NUT,NYLOCK,3/8-16.....	6				
27	27915GT	AIR CLEANER.....	1				
--	27916GT	FILTER,AIR,ELEMENT***.....	1				
--	52658GT	NUT - WING, AIR FILTER, 425EFI.....	1				
--	58917GT	END CAP,AIR FILTER-27915&49740....	1				
--	65810GT	BAFFLE, AIR CLEANER (27915)**.....	1				
--	65815GT	CLAMP, AIR CLEANER (27915)**..... <i>clamp that holds the end cap on</i>	1				
28	53952GT	BRKT,AIR CLEANER ORIENTATION**.....	2				
29	6175GT	SCREW,HHC,3/8-16 X 1.....	4				
30	5397GT	WASHER,FLAT,USS,5/16",Y.....	4				

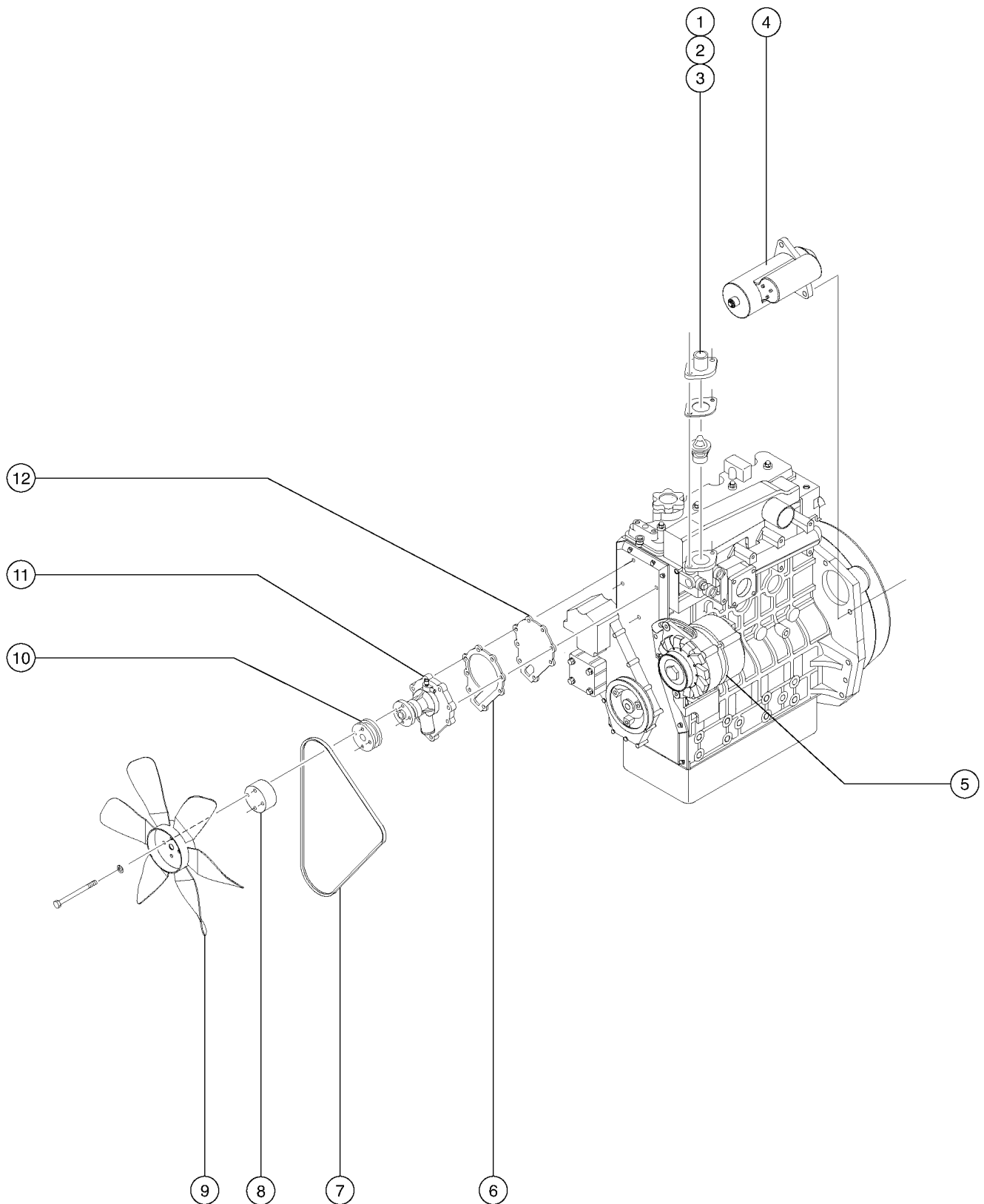
407.1 Perkins104-22 Engine - View 1



407.1 Perkins104-22 Engine - View 1

Item	Part No.	Description	Qty.	Item	Part No.	Description	Qty.
1	25929GT	SCREW,HHC,M8 X 30MM,GRD 8.8.....	2	30	18503GT	NUT,LOCKING-LG.FLANGE,5/16-18.....	8
2	49408GT	WASHER,LOCK,M8.....	2	31	219437GT	ISOLATOR, VIBRATION.....	4
3	65542GT	FILTER, ELEMENT/FUEL PERKINS**.....	1	32	27915GT	AIR CLEANER.....	1
4	65636GT	CAP, OIL FILLER.....	1	--	27916GT	FILTER,AIR,ELEMENT***.....	1
5	65638GT	SEAL, OIL FILLER CAP.....	1	--	52658GT	NUT - WING, AIR FILTER, 425EFI.....	1
6	54582PGT	BRACKET,STRUT MOUNT,PAINTED.....	1	--	53952GT	BRKT,AIR CLEANER ORIENTATION**.....	1
7	23057GT	SCREW,HHC,M8 X 20MM.....	4	--	58917GT	END CAP,AIR FILTER-27915&49740.....	1
8	6886GT	WASHER,LOCK,.313.....	4	--	65810GT	BAFFLE, AIR CLEANER (27915)**.....	1
9	6090GT	SCREW,HHC,1/4-20 X .75.....	1	--	65815GT	CLAMP, AIR CLEANER (27915)**.....	1
10	6638GT	WASHER,FLAT,USS,1/4"Y.....	1			<i>clamp that holds the end cap on</i>	
11	6091GT	NUT,NYLOCK,1/4-20.....	1	33	30971GT	CLAMP,HOSE,3.00".....	3
12	6833GT	CLAMP,0.50,#8 X 1/4,RUB CUSH.....	1	34	54547GT	HOSE,AIR INTAKE,PERKINS.....	1
13	54556GT	DIPSTICK TUBE,PERKINS 104-22**.....	1				
14	65639GT	O-RING,DIPSTICK TUBE(Z45 PERK).....	1				
15	94762GT	OIL FILTER - PERKINS.....	1				
16	72348GT	PUMP,LIFT(FUEL) PERKINS(54555).....	1				
17	65637GT	FLEX PLATE, FLYWHEEL (54573).....	1				
18	22788GT	SCREW,HHC,1/2-13 X 1.75.....	2				
19	6033GT	WASHER,LOCK,0.5".....	2				
20	6175GT	SCREW,HHC,3/8-16 X 1.....	2				
21	6021GT	WASHER,LOCK,.375.....	2				
22	54222GT	PUMP,PIGGY BACK,.67 C.I.,Z45IC.....	1				
--	29436GT	O-RING***.....	1				
--	77990GT	KIT,SEAL,3CC PUMP***.....	1				
23	49770GT	PUMP,M46/GEAR,2.8/.67***.....	1				
		<i>includes index numbers 20 through 22</i>					
23	54217GT	PUMP,VAR PISTON,Z45 IC.....	1				
--	22965GT	EDC ASSY,SAUER,M46***.....	1				
		<i>includes mounting fasteners</i>					
--	27067GT	SEAL,SHAFT-SUNDSTRAND***.....	1				
--	29739GT	SEAL KIT,SAUER-DANFOSS M46***.....	1				
--	32611GT	SHAFT,M46 15 TOOTH.....	1				
24	29749GT	COUPLER,SMALL METAL,15T,***.....	1				
25A	128022GT	KIT,FBA STYLE COUPLER,PERKINS.....	1				
		<i>includes 15-tooth coupler (128003), fastener kit (1263209) and grease</i>					
--	29749GT	COUPLER,SMALL METAL,15T,***					
--	89771GT	HOUSING,PUMP MOUNT (54573)					
--	89772GT	FLEX PLATE (54573)***					
25B	89773GT	KIT, HARDWARE (54573)					
26	54535PGT	BRACKET,AIR CLEANER,PAINTED.....	1				
27	33277GT	WASHER,FLAT,M8,YELLOW ZINC.....	2				
28	54583PGT	BRACKET,PERKINS TAILPIPE,PNTD.....	1				
29	60036GT	HOSE,AIR INTAKE,FORD EFI***.....	1				

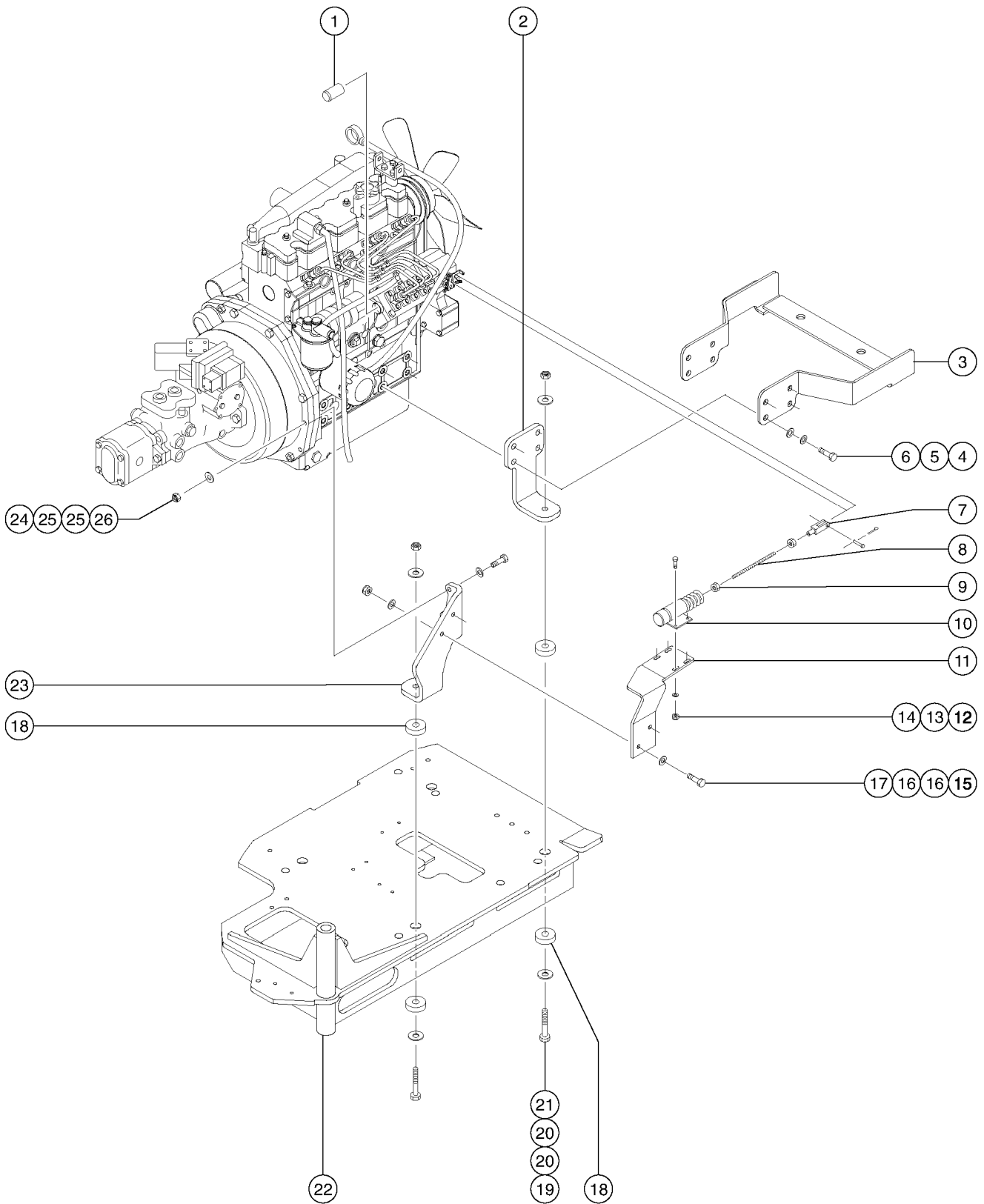
408.1 Perkins 104-22 Engine - View 2



408.1 Perkins 104-22 Engine - View 2

Item	Part No.	Description	Qty.
1	77476GT	HOUSING,THERMOSTAT,PERKINS 104.....	1
2	147355GT	GASKET-THERMOSTAT HSG.....	1
3	77478GT	THERMOSTAT (PERKINS 104-22).....	1
4	228457GT	STARTER, PERKINS, 404D.....	1
5	72342GT	ALTERNATOR, PERKINS (54555).....	1
6	58354GT	GASKET,WATER PUMP.....	1
7	77481GT	FAN BELT (104-22) PERKINS.....	1
8	77484GT	EXTENSION, FAN (104-22).....	1
9	77483GT	FAN, ENGINE (104-22)(404-22)*.....	1
10	77482GT	PULLEY, WATER PUMP.....	1
11	72339GT	SWITCH,WATER TEMP-PERKINS54555.....	1
11	72340GT	OUTLET,WATER, PERKINS (54555).....	1
11	89763GT	PUMP WATER (PERKINS 404)***.....	1
12	77485GT	PLATE,WATER PUMP (104-22).....	1

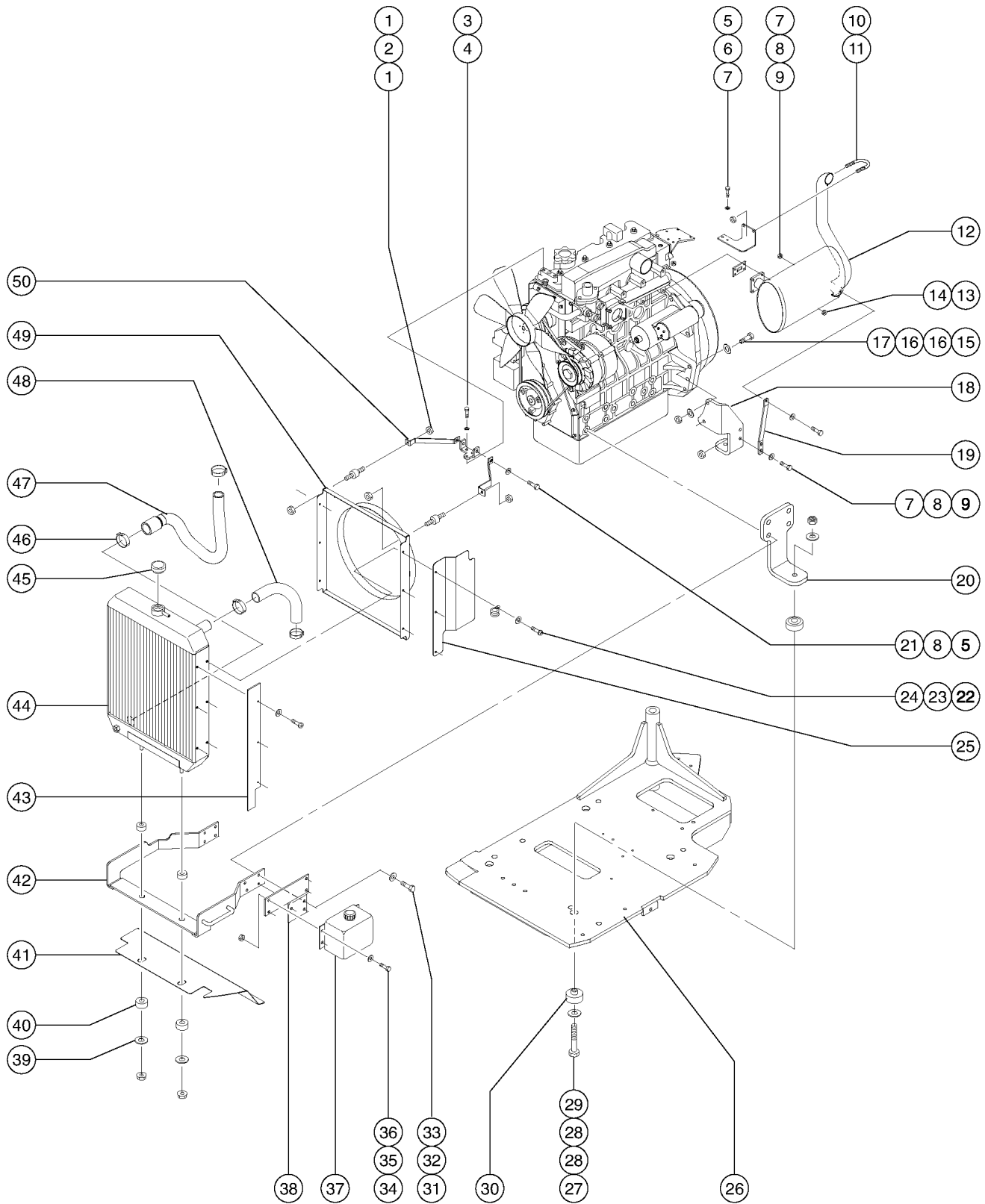
409.1 Perkins 104-22 Engine - View 3



409.1 Perkins 104-22 Engine - View 3

Item	Part No.	Description	Qty.
1	72350GT	SOLENOID,SHUT DN,PERKINS(54555.....	1
2	54517PGT	FORMING,FRONT FOOT,PAINTED.....	2
3	54538GT	WELDMENT,RADIATOR MNT.,PERKINS.....	1
4	54687GT	SCREW,HHC,M14 X 1.5X40MM,GR8.8.....	8
5	37505GT	WASHER,LOCK,M14.....	8
6	49411GT	WASHER,FLAT,M14.....	8
7	21130GT	CLEVIS YOKE-1/4-28,PLTD W/PIN..... <i>includes clevis pin and cotter pin</i>	1
8	30785-1000GT	THREADED ROD,1/4-28 X 10 IN***.....	1
9	21496GT	NUT,HEX,1/4-28.....	2
10	29073GT	SOLENOID,THROTTLE.....	1
10	52537GT	BOOT,SOLENOID,29073.....	1
11	54553GT	BRACKET,SOLENOID MOUNT,PERKINS.....	1
12	6091GT	NUT,NYLOCK,1/4-20.....	4
13	6638GT	WASHER,FLAT,USS,1/4"Y.....	4
14	6090GT	SCREW,HHC,1/4-20 X .75.....	4
15	8516GT	SCREW, HCC, 3/8-16 X 1.50.....	2
16	5397GT	WASHER,FLAT,USS,5/16",Y.....	4
17	4828GT	NUT,NYLOCK,3/8-16.....	2
18	24037GT	SHOCK MOUNT,LARGE**.....	8
19	8357GT	SCREW,HHC,1/2-13 X 3.5.....	4
20	6095GT	WASHER,FLAT,USS,1/2",Y.....	8
21	6198GT	NUT,NYLOCK,1/2-13.....	4
22	101044GT	PLATE,ENGINE TRAY***.....	1
23	54519PGT	FORMING,REAR FOOT RT,PAINTED.....	1
24	22736GT	NUT,NYLOCK,M10X1.50.....	4
25	22699GT	WASHER,FLAT,M10,ZINC PLTD.....	4
26	44064GT	SCREW,HHC,M10 X 30MM.....	4

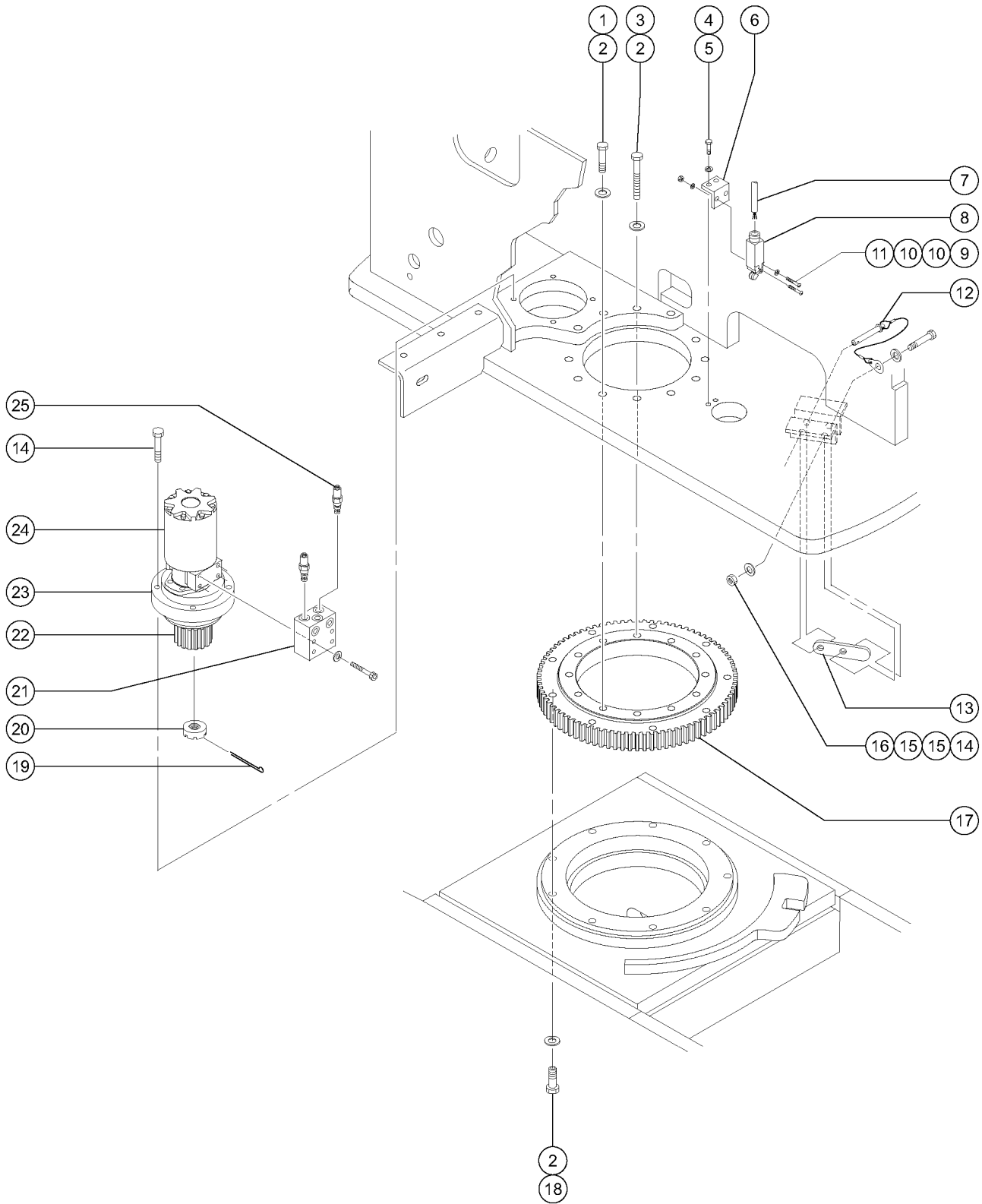
410.1 Perkins 104-22 Engine - View 4



410.1 Perkins 104-22 Engine - View 4

Item	Part No.	Description	Qty.	Item	Part No.	Description	Qty.
1	18506GT	SCREW 5/16-18 X .75 LG.FLG.LCK.....	4	40	24038GT	SHOCK MOUNT,SMALL.....	4
2	219437GT	ISOLATOR, VIBRATION.....	2	41	54602PGT	PLATE,LOWER AIR BAFFLE,PAINTED.....	1
3	23057GT	SCREW,HHC,M8 X 20MM.....	2	42	54538GT	WELDMENT,RADIATOR MNT.,PERKINS.....	1
4	49408GT	WASHER,LOCK,M8.....	2	43	54189GT	SEAL,RUBBER,BAFFLE,FORD.....	1
5	6175GT	SCREW,HHC,3/8-16 X 1.....	4	44	110304GT	RADIATOR,FORD/PERKINS***.....	1
6	6097GT	WASHER,FLAT,USS,3/8",Y.....	2	45	27943GT	CAP,RADIATOR,FORD***.....	1
7	4828GT	NUT,NYLOCK,3/8-16.....	4	46	13014GT	CLAMP,HOSE,2.25" DIA.....	4
8	5397GT	WASHER,FLAT,USS,5/16",Y.....	4	47	54579GT	HOSE,LOWER,RADIATOR,PERKINS.....	1
9	6019GT	SCREW,HHC,3/8-16 X 1.25 GRD 5.....	2	47	66031GT	CLAMP,1.88,#30 X 3/8,RUB CUSH..... <i>not shown</i>	1
10	16584GT	U-BOLT, KIT 5/16-18 X 2.5 ***.....	1	48	54578GT	HOSE,UPPER RADIATOR,PERKINS.....	1
11	6037GT	NUT,HEX,5/16-18,GR5.....	2	49	54546GT	SHROUD,FAN,PERKINS DSL.....	1
12	54543GT	MUFFLER,PERKINS 404-22DSL.....	1	50	54581GT	STRUT,PERKINS RADIATOR.....	2
13	59579GT	NUT, HEX FLANGE M 8 X 1.25.....	4				
14	72343GT	GASKET,EXH FLANGE-FORD/PERKINS.....	1				
15	44064GT	SCREW,HHC,M10 X 30MM,.....	4				
16	22699GT	WASHER,FLAT,M10,ZINC PLTD.....	4				
17	22736GT	NUT,NYLOCK,M10X1.50.....	4				
18	54518GT	FORMING,REAR FOOT LT,PERKINS.....	1				
19	54584GT	BRACKET,PERKINS MUFFLER.....	1				
20	54517GT	FORMING,FRONT FOOT,PERKINS.....	2				
21	7713GT	NUT, LP NYLOCK, 3/8-16.....	2				
22	57075GT	SCREW,PHIL,8-32X.50,SELF TAP.....	9				
23	6146GT	WASHER,FLAT,MS,#10,Y.....	9				
24	6833GT	CLAMP,0.50,#8 X 1/4,RUB CUSH.....	1				
25	54585GT	GUARD,FAN,PERKINS,PAINTED.....	1				
26	101044GT	PLATE,ENGINE TRAY***.....	1				
27	8357GT	SCREW,HHC,1/2-13 X 3.5.....	4				
28	6095GT	WASHER,FLAT,USS,1/2",Y.....	8				
29	6198GT	NUT,NYLOCK,1/2-13.....	4				
30	24037GT	SHOCK MOUNT,LARGE**.....	8				
31	54687GT	SCREW,HHC,M14 X 1.5X40MM,GR8.8.....	8				
32	37505GT	WASHER,LOCK,M14.....	8				
33	49411GT	WASHER,FLAT,M14.....	8				
34	6090GT	SCREW,HHC,1/4-20 X .75.....	4				
35	6638GT	WASHER,FLAT,USS,1/4"Y.....	4				
36	6091GT	NUT,NYLOCK,1/4-20.....	4				
37	1279268GT	BOTTLE, COOLANT RECOVERY, 2QT.....	1				
37	72327GT	CAP, COOLANT RET SYS(54071).....	1				
38	54601PGT	BRACKET,COOLANT TANK MNT,PNTD.....	1				
39	15086GT	WASHER,FLAT,.375 X 1.5 X .125.....	2				

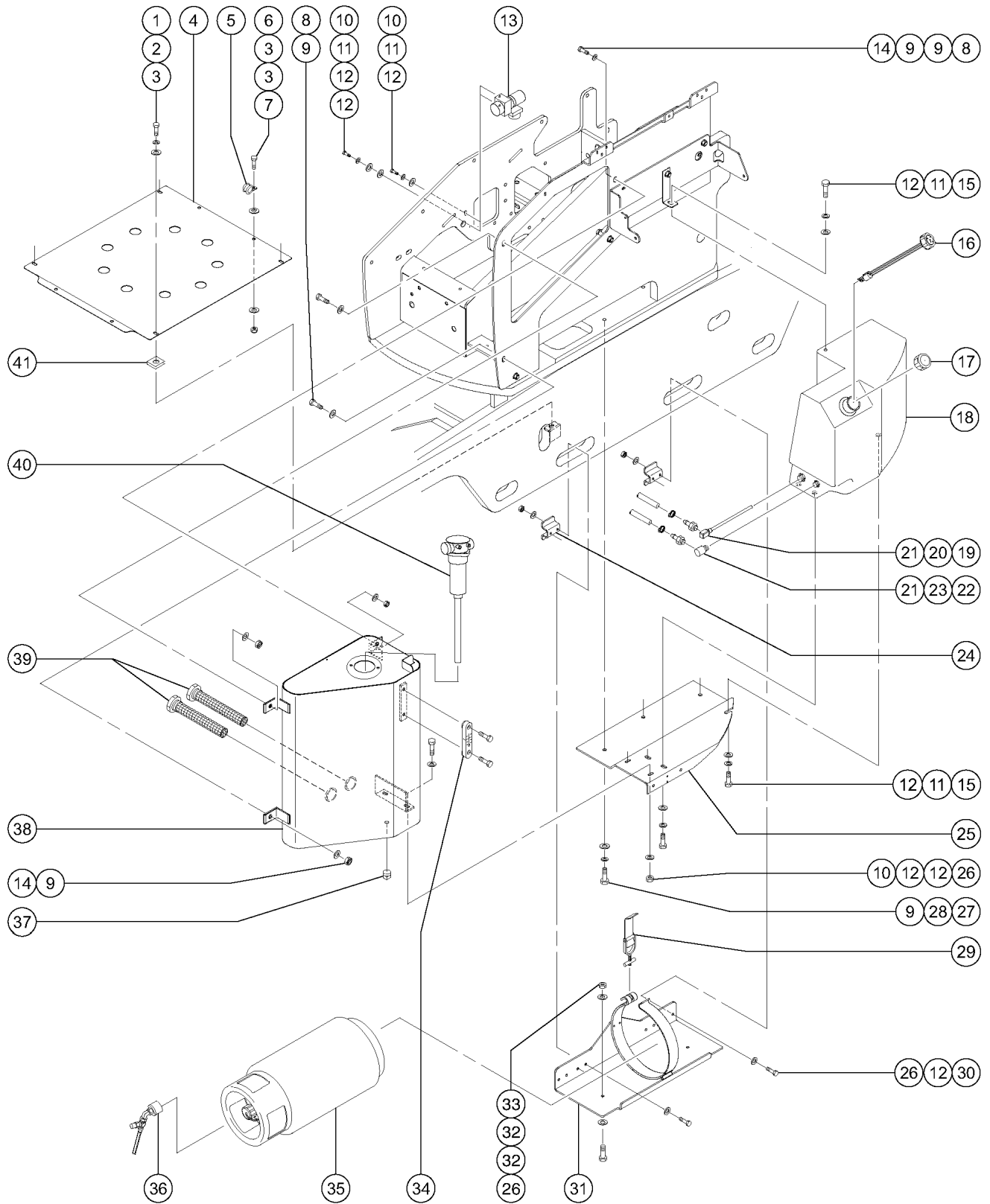
501.1 Turntable Rotator



501.1 Turntable Rotator

Item	Part No.	Description	Qty.	Item	Part No.	Description	Qty.
1	56900GT	SCREW,SHC,5/8-11 X 2.5 BLK.....	8	--	43683GT	O-RING,2-042 N674-70***.....	1
2	13064GT	WASHER,FLAT,.625 HARDENED.....	21			<i>to SN 18366</i>	
3	21175GT	SCREW,SHC,5/8-11 X 4,A574.....	4	--	52783GT	SEAL KIT,TRNTBLE ROT MTR(50413....	1
4	8255GT	SCREW,HHC,3/8-16 X .75.....	2			<i>for 50413</i>	
5	6021GT	WASHER,LOCK,.375.....	4	24B		Ref: Swing Drive Assy 77082 is no longer available, order PN 824050	
6	50469GT	BRACKET,DRIVE SENSOR,ENABLE.....	1	--	128446GT	MANIFOLD,TURNTABLE ROTATION***	
7		Ref. Chassis Wire Harness (consult factory).....	1			<i>for 77082</i>	
8	88356 11103GT	SWITCH,LIMIT,W/RLR ARM,NO/NC**....	1	--	220255GT	SEAL KIT,MANIFOLD TO MOTOR	
--	19491GT	CONTACTOR,LIMIT SWITCH				<i>for 128446</i>	
--	97128GT	ROLLER ARM,LIMIT SWITCH***		--	48904GT	ELBOW,90D,520220-4-4	
9	51063GT	SCREW,PHILLIPS,RHM,10-32 X 1.5....	2			<i>not included, must order seperately</i>	
10	6146GT	WASHER,FLAT,MS,#10,Y.....	2	--	77246GT	SEAL KIT,SWING MOTOR***	
11	6178GT	NUT,NYLOCK,10-32.....	2			<i>for 77082</i>	
12	54145-800GT	RETAINING PIN, ASSY.....	1	24C		SWING DRIVE ASSY*** 147209 is no longer available, order PN 824050	
13	50776PGT	PLATE,SWING LOCK,PAINTED***.....	1	--	147210GT	SEAL KIT,SWING DRIVE***	
14	6198GT	NUT,NYLOCK,1/2-13.....	1			<i>for 147209</i>	
15	6095GT	WASHER,FLAT,USS,1/2",Y.....	2	--	147211GT	BRAKE KIT, SWING DRIVE	
16	50576GT	SCREW,SHC,1/2-13 X 3.00.....	4			<i>for 147209</i>	
		<i>to SN 18366</i>		--	147212GT	MANIFOLD KIT, SW DRIVE	
16	56680GT	SCREW,SHC,1/2-13 X 4.50 ZINC.....	4			<i>for 147209</i>	
		<i>from SN 18367</i>		--	220255GT	SEAL KIT,MANIFOLD TO MOTOR	
17	50411GT	BEARING,SWING CHASSIS RINGGEAR.....	1			<i>for 147212</i>	
18	25068GT	SCREW,SHC,5/8-11 X 4.5,A574.....	9	--	48904GT	ELBOW,90D,520220-4-4	
19	42079GT	PIN,COTTER,.156 X 2.5.....	1			<i>not included, must order seperately</i>	
		<i>to SN 18366</i>		24D	824050GT	SWING DRIVE ASSEMBLY <i>replaces PNs 77082 & 147209, from SN 18367</i>	
20	52767GT	NUT-CASTLE (50414).....	1	--	48904GT	ELBOW,90D,520220-4-4	
21A	50447GT	MANIFOLD,DUAL COUNTERBALANCE.....	1			<i>not included, must order seperately</i>	
		<i>to SN 18366</i>		--	824051GT	SEAL KIT, SWING DRIVE	
21B	128446GT	MANIFOLD,TURNTABLE ROTATION***.....	1			<i>for 824050</i>	
		<i>from SN 18367</i>		--	824052GT	VALVE BLOCK, SWING DRIVE	
--	220255GT	SEAL KIT,MANIFOLD TO MOTOR				<i>for 824050</i>	
		<i>for 128446</i>		25	33428GT	VALVE,COUNTERBALANCE.....	2
22	50412GT	PINION GEAR.....	1			<i>to SN 18366</i>	
		<i>to SN 18366</i>					
23	44828GT	SEAL KIT,BRAKE,MICO***.....	1				
23	44829GT	BEARING,BRK,MICO **.....	1				
23	50414GT	BRAKE,MICO,12000 IN/LB***.....	1				
		<i>to SN 18366</i>					
23	52766GT	KEY-WOODRUFF (50414).....	1				
23	52770GT	LINING KIT-MICO BRAKE (50414).....	1				
23	52772GT	SPRING KIT-MICO BRAKE (50414).....	1				
24A	50413GT	MOTOR,TURNTABLE ROTATE,29.1.....	1				
		<i>to SN 18366</i>					

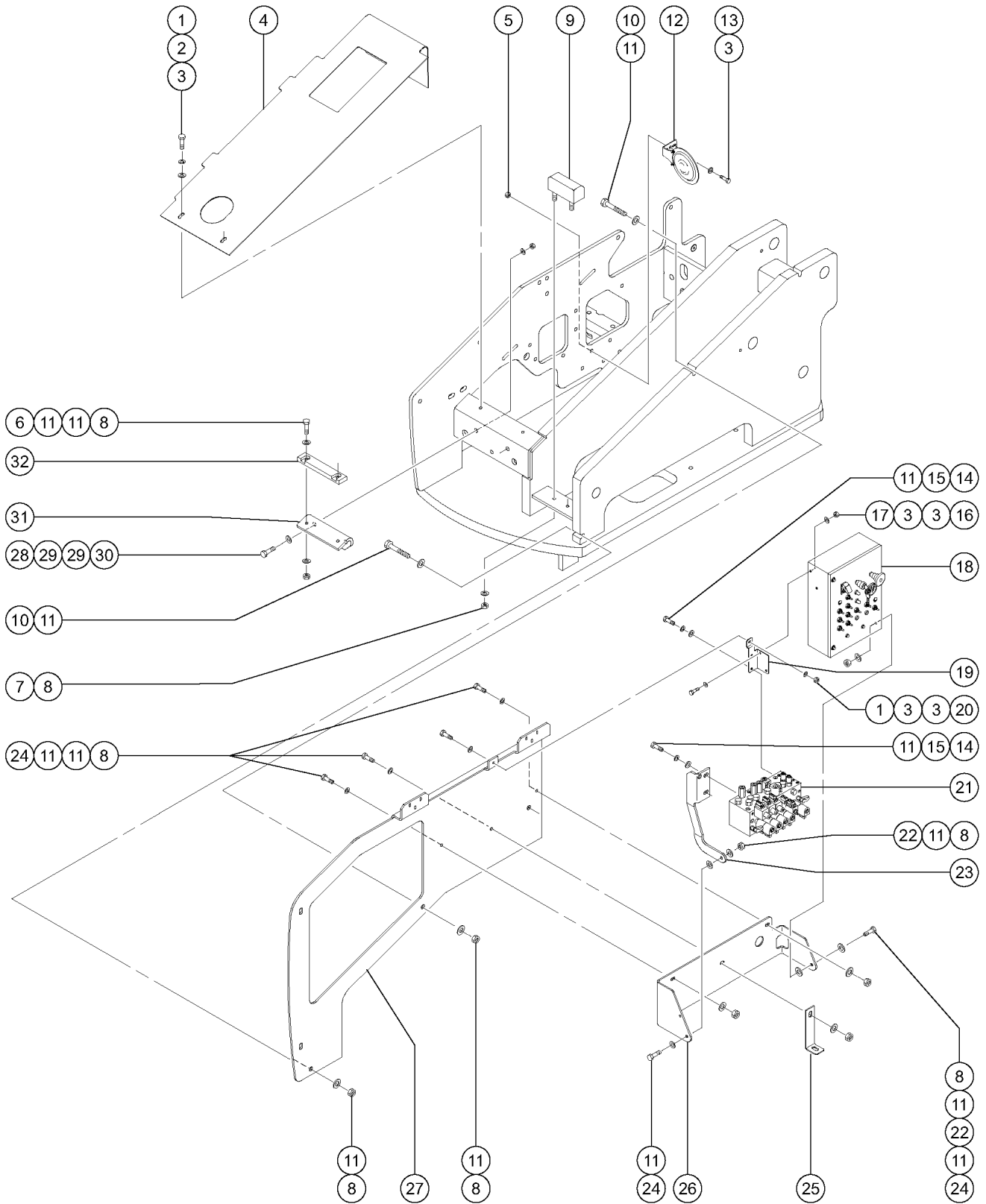
502.1 Fuel and Hydraulic Tanks



502.1 Fuel and Hydraulic Tanks

Item	Part No.	Description	Qty.	Item	Part No.	Description	Qty.
1	6888GT	SCREW,HHC,1/4-20 X 1.....	4	25	50416PGT	PLATE,TANK SIDE,PAINTED.....	1
2	6356GT	WASHER,LOCK,.25.....	4	26	4828GT	NUT,NYLOCK,3/8-16.....	9
3	6638GT	WASHER,FLAT,USS,1/4"Y.....	4	27	10597GT	SCREW,HHC,1/2-13 X 1.25 GR5.....	3
4	50028PGT	FORMING,BELLY PAN,PAINTED.....	1	28	6033GT	WASHER,LOCK,0.5".....	3
5	13268GT	CLAMP,0.75,#12 X 1/4,RUB CUSH.....	1	29	49000GT	L.P.TANK LATCH.....	1
6	6090GT	SCREW,HHC,1/4-20 X .75.....	1			<i>Ford models</i>	
7	6091GT	NUT,NYLOCK,1/4-20.....	1	30	8516GT	SCREW, HCC, 3/8-16 X 1.50.....	4
8	8177GT	SCREW,HHC,1/2-13 X 1.5.....	3	31	60143-SGT	WELD, LPG TANK MOUNT.....	1
9	6095GT	WASHER,FLAT,USS,1/2",Y.....	12			<i>Ford models</i>	
10	6019GT	SCREW,HHC,3/8-16 X 1.25 GRD 5.....	9	32	6097GT	WASHER,FLAT,USS,3/8",Y.....	2
11	6021GT	WASHER,LOCK,.375.....	8	33	39478GT	SCREW,HHC,3/8-16 X 2 FULL THRD.....	1
12	5397GT	WASHER,FLAT,USS,5/16",Y.....	14	34	21141GT	GAUGE-SIGHT,LHA-LGTB***.....	1
13	112379GT	POWER UNIT,12VDC AUX***.....	1			<i>includes mounting fasteners</i>	
		<i>to SN 17345</i>		35	53605GT	TANK, 7 GAL/33.5 POUND, LP.....	1
--	112308GT	SOLENOID,12V,APU.....	1			<i>Ford models</i>	
		<i>to SN 17345</i>		36	119055GT	HOSE ASSY,LP GAS.....	1
--	38156GT	VALVE,RELIEF KIT,MONARCH**.....	1			<i>144 inches</i>	
		<i>to SN 17345</i>		36	73599GT	CAP,PROT.,RED,1.38ID X .75 DP.....	1
--	43687GT	MOTOR,12VDC (42185).....	1	37	54160GT	PLUG,DRAIN,3/8",MAGNETIC.....	1
		<i>to SN 17345</i>		38	50406GT	TANK,HYDRAULIC,24 GAL.....	1
--	43688GT	PUMP ASSY (42185).....	1			<i>to SN 20757</i>	
		<i>to SN 17345</i>		38	53527GT	CAP,FILLER BREATHER,3 MICRON**.....	1
13A	77066GT	ASSEMBLY, AUX POWER UNIT, 12VD.....	1	38	88244GT	TANK,HYDRAULIC 24 GAL.....	1
		<i>from SN 17346</i>				<i>from SN 20758</i>	
--	77069GT	MOTOR,12VDC,77066.....	1	39	45161GT	STRAINER ASSEMBLY,1.5" NPT.....	2
		<i>from SN 17346</i>		40A	110345GT	FILTER ASSY,INTANK.....	1
--	77070GT	PUMP ASSY.,77066.....	1			<i>includes item 40B</i>	
		<i>from SN 17346</i>		--	147223GT	SEAL,FILTER LID	
--	77071GT	SOLENOID,77066.....	1	40B	77353GT	KIT,ELEMENT**	
		<i>from SN 17346</i>		--	77354GT	FILTER LID,RFM165	
--	77072GT	CHECK VALVE KIT,77066.....	1	--	77365GT	BREATHER CAP,RFM165	
		<i>from SN 17346</i>		--	88917GT	FILTER,ELEMENT,BETA(10)=200	
14	6198GT	NUT,NYLOCK,1/2-13.....	3	--	94526GT	GASKET,RETURN FILTER-77353	
15	8255GT	SCREW,HHC,3/8-16 X .75.....	1	41	56912GT	SPRING CLIP,1/4-20,.025-.15X.54,ZAG.....	4
16	101727GT	CAP,FUEL,GAS,1/8"VENT(RED).....	1				
17	101726GT	CAP,FUEL,DIESEL,1/8"VENT(GRN).....	1				
		<i>Diesel models</i>					
17	101727GT	CAP,FUEL,GAS,1/8"VENT(RED).....	1				
		<i>Gasoline/LPG models</i>					
18	119798GT	FUEL TANK ASSY, 17 GAL PLASTIC.....	1				
19	54437GT	HOSE END,BARB,1/4 MNPTX5/16,ST....	1				
20	54124GT	HOSE END,BARB,3/8 MNPT X 5/16.....	1				
21	54123GT	CLAMP,HOSE,1 EAR, 5/8.....	2				
22	54205GT	HOSE END,BARB,1/4 MNPTX5/16,90....	1				
23	27586GT	HOSE END,MALE, .313 X .25 MPT.....	1				
24	60139GT	FORMING,LP BRACKET MOUNT.....	2				
		<i>Ford models</i>					

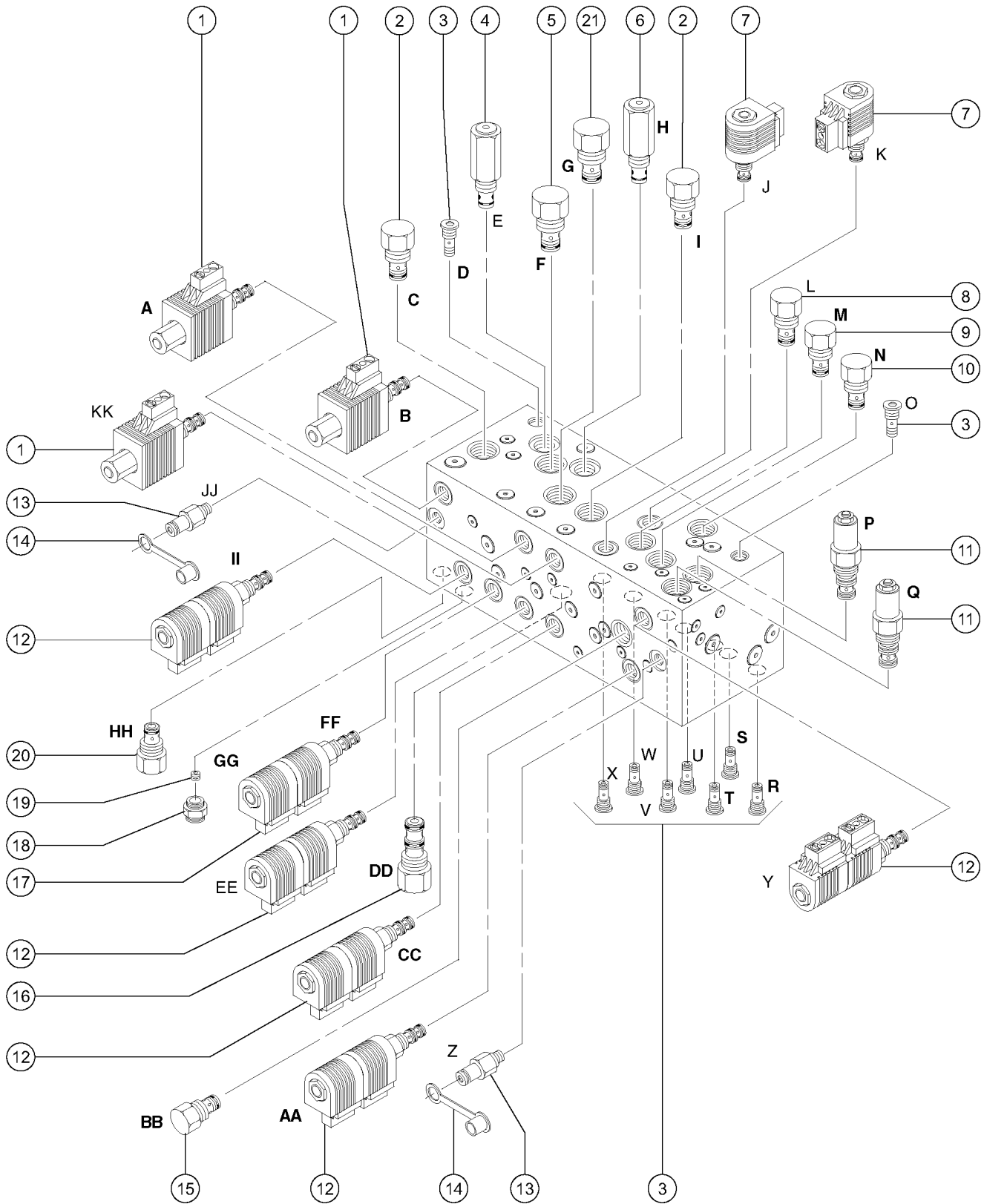
503.1 Function Manifold and Ground Control Box Installation



503.1 Function Manifold and Ground Control Box Installation

Item	Part No.	Description	Qty.
1	6888GT	SCREW,HHC,1/4-20 X 1.....	3
2	6356GT	WASHER,LOCK,.25.....	2
3	6638GT	WASHER,FLAT,USS,1/4"Y.....	9
4	50423PGT	COVER,SWING CHASSIS CENTER,PAI..... <i>to SN 17000</i>	1
4	54922PGT	COVER,CENTER SWING CHASSIS,PNT..... <i>from SN 17001</i>	1
5	6782GT	NUT,NYLOCK,5/16-18.....	1
6	8516GT	SCREW, HCC, 3/8-16 X 1.50.....	2
7	6097GT	WASHER,FLAT,USS,3/8",Y.....	2
8	4828GT	NUT,NYLOCK,3/8-16.....	13
9	56927GT	PAD,REST,2"THICK,W/STUDS*.....	1
10	14033GT	SCREW,HHC,3/8-16 X 2.75.....	3
11	5397GT	WASHER,FLAT,USS,5/16",Y.....	22
12	81578GT	HORN,12VDC,SPADE TERMINALS***.....	1
13	13000GT	SCREW,HHC,5/16-18 X 1.25.....	1
14	6175GT	SCREW,HHC,3/8-16 X 1.....	4
15	6021GT	WASHER,LOCK,.375.....	4
16	6889GT	NUT,LP NYLOCK,1/4-20.....	2
17	6090GT	SCREW,HHC,1/4-20 X .75.....	2
18		Ref. Ground Controls..... <i>(refer to 505.1 and 506.1)</i>	2
19	54289GT	BRACKET,GROUND CONTROL BOX.....	1
20	6091GT	NUT,NYLOCK,1/4-20.....	1
21		Ref. Function Manifold..... <i>(refer to 504.1)</i>	1
22	47228GT	WASHER,NYLON,.406 X.750 X.032.....	2
23	50762-SGT	BRACKET,MANIFOLD MNT.Z45/25.....	1
24	6019GT	SCREW,HHC,3/8-16 X 1.25 GRD 5.....	5
25	50937GT	BRACKET,FUEL TANK STRAP.....	1
26	50754PGT	PLATE,MANIFOLD/CNTRL BOX MOUNT.....	1
27	50630PGT	BULKHEAD,TANKSIDE PAINTED..... <i>to SN 11148</i>	1
27	54288PGT	BULKHEAD,TANKSIDE,PAINTED..... <i>from SN 11149</i>	1
28	6096GT	SCREW,HHC,1/2-13 X 2 GR5.....	2
29	6095GT	WASHER,FLAT,USS,1/2",Y.....	4
30	6198GT	NUT,NYLOCK,1/2-13.....	2
31	50569PGT	ANGLE,PRIM BOOM REST,NONJIB,PA..... <i>Z45/25 models</i>	1
32	50570GT	WEAR PAD,PRIMARY BOOM,NON JIB..... <i>Z45/25 models</i>	1

504.1 Function Manifold



504.1 Function Manifold

Item	Part No.	Description	Qty.	Item	Part No.	Description	Qty.
A		Proportional Solenoid Valve <i>Turntable Rotate Left/Right</i>		W		Check Valve <i>Differential Sensing Circuit, Primary Boom Up/Down</i>	
B		Proportional Solenoid Valve <i>Secondary Boom Up/Down</i>		X		Check Valve <i>Differential Sensing Circuit, Turntable Rotate Left/Right</i>	
C		Flow Regulator <i>Secondary Boom Up/Down</i>		Y		Solenoid Valve, <i>Platform Level Up/Down</i>	
D		Check Valve <i>Differential Sensing Circuit, Secondary Boom Up/Down</i>		Z		Diagnostic Nipple <i>Testing</i>	
E		Relief Valve <i>Secondary Boom Down</i>		A A		Solenoid Valve <i>Jib Boom Up/Down and Platform Rotate Left/Right</i>	
F		Priority Flow Regulator <i>Steer Left/Right Circuit</i>		B B		Flow Regulator Valve, <i>Jib Boom Up/Down and Platform Rotate Left/Right</i>	
G		Flow Regulator <i>Turntable Rotate Left/Right</i>		C C		Solenoid Valve, <i>Primary Boom Up/Down</i>	
H		Relief Valve <i>System Relief</i>		D D		Differential Sensing Valve <i>Meters Flow To All Functions</i>	
I		Flow Regulator Valve <i>Primary Boom Up/Down</i>		E E		Solenoid Valve, <i>Turntable Rotate Left/Right</i>	
J		Solenoid Valve, <i>Primary Boom Retract</i>		F F		Solenoid Valve, 3 position 4 way <i>Steer Left/Right</i>	
K		Solenoid Vave, <i>Primary Boom Extend</i>		G G		Orifice <i>Secondary Boom Circuit</i>	
L		Flow Regulator Valve, <i>Primary Boom Extend/Retract</i>		H H		Check Valve <i>Secondary Boom Circuit</i>	
M		Flow Regulator Valve, <i>Platform Level Circuit</i>		I I		Solenoid Valve, <i>Secondary Boom Up/Down</i>	
N		Flow Regulator Valve, <i>Differential Sensing Circuit</i>		J J		Diagnostic Nipple <i>Testing</i>	
O		Check Valve <i>Differential Sensing Circuit, Platform Level Down</i>		K K		Proportional Solenoid Valve <i>Primary Boom Up/Down</i>	
P		Counterbalance Valve <i>Platform Level Down</i>		--	28750GT	O-RING KIT,FIELD SVC,ALL PROD*	
Q		Counterbalance Valve <i>Platform Level Up</i>		--	49612GT	O-RING KIT (ORFS FITTINGS)	
R		Check Valve <i>Differential Sensing Circuit, Platform Level Up</i>		--	49613GT	PLUG AND CAP KIT-SERVICE,ORFS*	
S		Check Valve <i>Differential Sensing Circuit, Jib Boom Up/Platform Rotate Left</i>		--	50683GT	MANIFOLD,FUNCTION,Z45IC <i>does not include index numbers 18 and 19; Complete to SN 12603</i>	
T		Check Valve <i>Differential Sensing Valve, Jib Boom Down/Platform Rotate Right</i>		--	54490GT	MANIFOLD,FUNCTION,Z45/25 IC <i>includes fittings; Complete from SN 12604 to SN 19714</i>	
U		Check Valve <i>Differential Sensing Circuit, Primary Boom Retract</i>		--	77218GT	MANIFOLD,FUNCT.IC,DUAL SPADE <i>includes fittings; Complete from SN 19715 to SN 20757</i>	
V		Check Valve <i>Differential Sensing Circuit, Primary Boom Extend</i>		--	88289GT	MANIFOLD,FUNC.IC DUAL SPADE <i>includes fittings; Complete from SN 20758</i>	
				1	52710GT	COIL,SOLENOID VALVE, 12V.....3	
				1	52711GT	VALVE-PROPORT.,SOLENOID DV DC.....3	



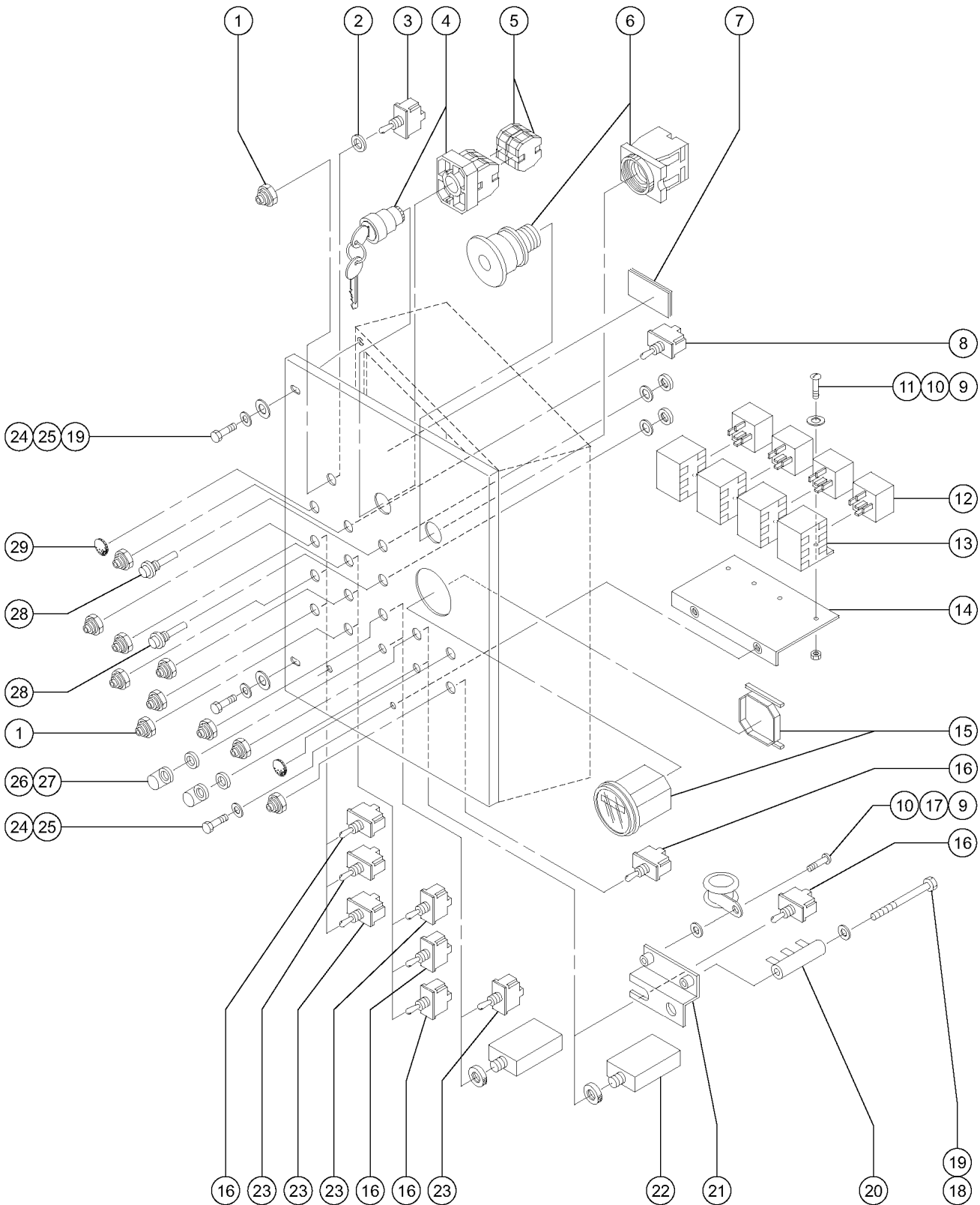
504.1 Function Manifold
(continued)

Item	Part No.	Description	Qty.	Item	Part No.	Description	Qty.
1	52718GT	NUT-VALVE,PROP. SOLENOID-50683.....	3	19	77186GT	PLUG,ORIFICE,1.00MM(.039IN).....	1
--	89312GT	SEAL KIT, SOLENOID VALVE for 52711		20	27759GT	VALVE,CHECK.....	1
2	27802GT	VALVE,DIFFERENTIAL SENSING***	2	21	65600GT	VALVE,DIFF SENSING (54490).....	1
3	43599GT	VALVE,CHECK.....	9				
--	110200GT	SEAL KIT, VALVE, #4					
4	31527GT	VALVE,RELIEF 1800 PSI.....	1				
5	19207GT	VALVE,FLOW REGULATOR.....	1				
6	52715GT	VALVE,RELIEF 3200 PSI.....	1				
7	43601GT	COIL,SOLENOID VLV,10V W/ DIODE....	2				
7	45912GT	NUT,SOLENOID VALVE 2P3W.....	2				
7	65766GT	VALVE,SOLENOID,10V W/DIODE***	2				
8	52716GT	VALVE-FLOW REGULATOR 2.0 GPM....	1				
9	27051GT	VALVE,FLOW REGULATOR..... to SN 19713	1				
9	62258GT	VALVE,NEEDLE*** from SN 19716	1				
10	32975GT	VALVE,FLOW REGULATOR 0.1 GPM....	1				
11A	52717GT	VALVE,COUNTERBALANCE***** to SN 19714	2				
11B	77411GT	VALVE,COUNTERBALANCE..... from SN 19715	2				
12	52713GT	VALVE,SOLENOID,3 POS 4 WAY,10V.... for use with single spade coil only; please contact Genie service dept for dual spade valve assembly	5				
--	43601GT	COIL,SOLENOID VLV,10V W/ DIODE.... single spade coil; to SN 19714	5				
--	45912GT	NUT,SOLENOID VALVE 2P3W.....	5				
--	72047GT	SEAL KIT, SOLENOID VALVE for 52713					
--	81043GT	COIL,SOLENOID,8 DSD 10V,W/DIO*.... dual spade coil; from SN 19715	5				
13	20224GT	DIAGNOSTIC FEMALE Q-DSCNT.....	2				
13	48997GT	NIPPLE,DIAGNOSTIC,#4.....	2				
14	48880GT	CAP,DIAGNOSTIC NIPPLE.....	2				
15	31100GT	VALVE,FLOW REGULATOR 0.6GPM....	1				
16	27804GT	VALVE,DIFFERENTIAL SENSING***.....	1				
17	52712GT	VALVE-SOLENOID,3 POSITION 4WAY..... includes coils	1				
--	43601GT	COIL,SOLENOID VLV,10V W/ DIODE....	1				
--	45912GT	NUT,SOLENOID VALVE 2P3W.....	1				
--	72047GT	SEAL KIT, SOLENOID VALVE for 52712					
18	48905GT	CONN,520120-4*** from SN 19715	1				
18	48916GT	CONN, 520120-6..... to SN 19714	1				



This Page Intentionally Left Blank

505.1 Ground Controls - View 1



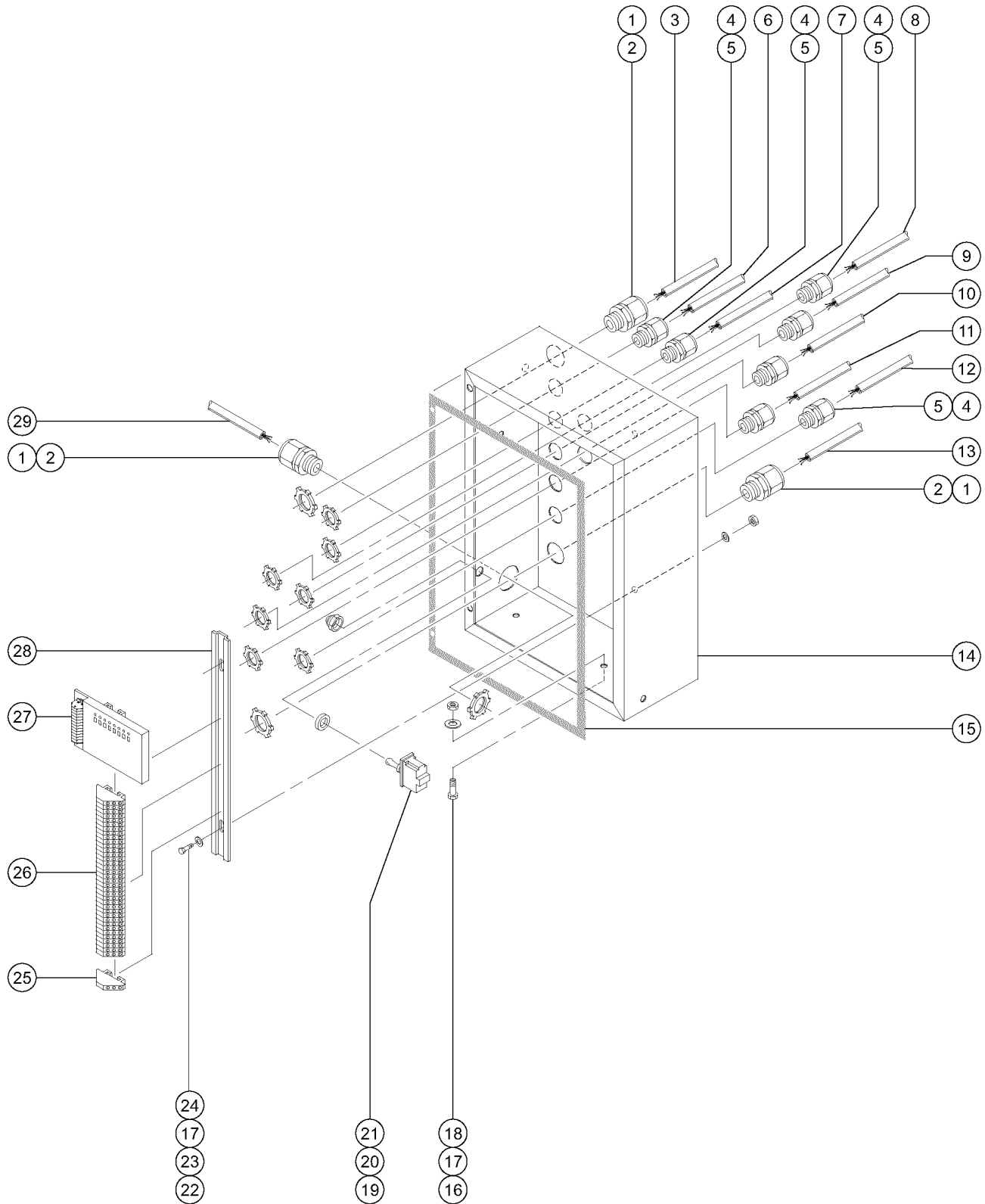
505.1 Ground Controls - View 1

Item	Part No.	Description	Qty.	Item	Part No.	Description	Qty.
1	27246GT	BOOT,TOGGLE SWITCH,SHORT*.....1 1		14	54534GT	ANGLE,RELAY MNT,W/NUTSERTS,PNT.....1	
2	54692GT	SPACER,NYLON,.718 X .526 X.219.....1 1		15	56100GT	HOUR METER,LCD,9-60 VDC***.....1 <i>includes mounting bracket; to SN 19374</i>	
3	13480-SGT	SWITCH,TOGGLE,DPDT,2POS MOMEN.....1 <i>includes mounting fasteners</i>		--	19506GT	HOUR METER,10-80 VOLTS***.....1 <i>includes mounting bracket; from SN 19375</i>	
4	122512GT	KIT,KEYSWITCH SVC BB & SM BOOM.....1 <i>to SN 19374</i>		16	13037-SGT	SWITCH,TOGGLE,SPDT,3POS MOMEN*.....5 1 <i>includes mounting fasteners</i>	
--	21982GT	KEY,SINGLE***.....1		17	13268GT	CLAMP,0.75,#12 X 1/4,RUB CUSH.....1	
--	37947GT	KEYS,10 PACK***.....1		18	12343GT	SCREW,HHC,1/4-20 X 3.....1	
--	66821GT	BASE,WITHOUT CONTACTS.....1		19	6638GT	WASHER,FLAT,USS,1/4"Y.....3	
4A	66811GT	KEYSWITCH,3POS.MNTND.DR WKEY**.....1 <i>from SN 19375, includes keyswitch and two keys, not included: base and contacts.</i>		20	54516GT	RESISTOR,10 OHMS,25W,ADJ***.....1	
--	21982GT	KEY,SINGLE***.....1		21	54525GT	BRACKET-PANEL-WIRE MOUNTING 99.....1	
--	37947GT	KEYS,10 PACK***.....1		22	147094GT	ASSY, CIRCUIT BREAKER 15A.....2 <i>includes mounting fasteners</i>	
--	66814GT	BASE,WITH 2 N.O. CONTACTS***.....1		23	16397-SGT	SWITCH,TOGGLE,DPDT,3POS MOMEN.....4 1 <i>includes mounting fasteners</i>	
5	66816GT	CONTACT,N.O.***.....2 <i>to SN 19374</i>		24	6090GT	SCREW,HHC,1/4-20 X .75.....4	
6	122514GT	KIT,ESTOP SVC BB&SM BOOM.....1 <i>to SN 19374</i>		25	6356GT	WASHER,LOCK,.25.....4	
--	66818GT	CONTACT, N.C.....1		26	77061GT	BOOT,CIRCUIT BREAKER PROTECTOR.....2	
--	66821GT	BASE,WITHOUT CONTACTS.....1		27	56234GT	O-RING,ORFS,-6.....2	
6A	66812GT	BUTTON,PUSH,RED MUSHROOM HEAD.....1 <i>from SN 19375</i>		28	824879GT	LIGHT,LED IND. RED 12V NH.....1 <i>Ford models</i>	
--	66818GT	CONTACT, N.C.....1		29	45384GT	PLUG,NYLON .50 BLACK DOMED.....2 1	
--	73805GT	BASE,W/2 NC CONTACTS***.....1					
7	30997GT	CORROSION INHIBITOR,FOAM.....1					
8	128205GT	SWITCH TOGGLE ASSY DPDT 2P MNT.....1 <i>(replaced 27378-S)</i>					
9	49826GT	SCREW,PHILLIPS,PHM,10-32 X.625....3					
10	6146GT	WASHER,FLAT,MS,#10,Y.....3					
11	6178GT	NUT,NYLOCK,10-32.....2					
12	34052GT	RELAY,SPDT,12V(AUTO) PLUG IN**.....4 <i>Ford models; terminals not included</i>					
--	34052GT	RELAY,SPDT,12V(AUTO) PLUG IN**.....7 <i>Deutz and Perkins models; terminals not included</i>					
--	34054GT	TERM,RELAY N-INSULATED 10-12 G....7					
--	34055GT	TERM RELAY,N-INSULATE 14-16 GA....7					
--	34056GT	TERM,RELAY,N-INSULATE 18-20 GA....7					
13	34053GT	ASSY,RELAY SOCKET, AUTO.....4					
--		RELAY SOCKET,AUTO,RETAINER*** <i>component of 34053</i>					

Footnotes

1: Quantity listed may not reflect specific model configuration requirements.

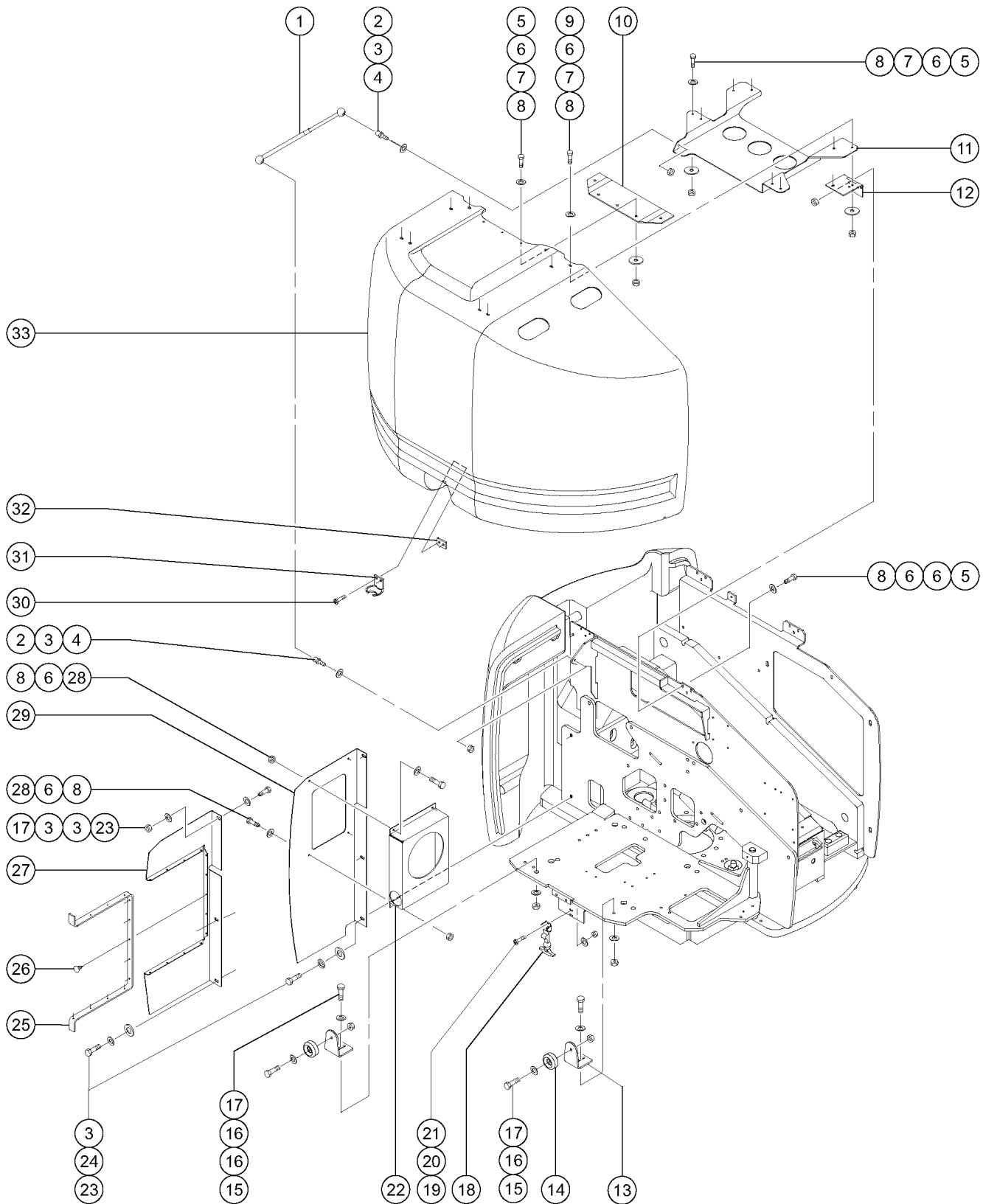
506.1 Ground Controls - View 2



506.1 Ground Controls - View 2

Item	Part No.	Description	Qty.	Item	Part No.	Description	Qty.
--	45782GT	DIODE,6 AMP,200 PIV,BULK to SN 20095		25	25837GT	TERMINAL STRIP END PLATE.....1 shown; to SN 20095	
1	20776GT	CABLE SQUEEZE CONN.....3		26	25836GT	TERMINAL BLOCK(SINGLE),WAGO***45 shown; to SN 20095	
2	18665GT	LOCKNUT,ELECTRIC,1" NPT.....3		26	74911GT	TERMINAL BLOCK, WIELAND***45 from SN 20096	
3		HARNESS,F.MANIFOLD,DUAL SPADE.....1 from SN 19716		27	56057GT	MODULE,IGNITION/START,12/24V.....1	
3	54058GT	HARNESS,MANIFOLD,Z45 IC.....1 to SN 19715		28	54826GT	DIN RAIL,14.75",MODIFIED.....1 shown; to SN 20095	
4	7057GT	CONN. SQZ,1/2NPT .39-.56 MED.....7 component no longer available'		29		Ref. Engine/Chassis Harness #1 (consult factory)	
5	6935GT	LOCKNUT,ELEC,1/2".....7					
6	43960GT	WIRE CABLE,16/4 CON.TPE JKT.....216-inches					
7	43960GT	WIRE CABLE,16/4 CON.TPE JKT.....361-inches					
8	43960GT	WIRE CABLE,16/4 CON.TPE JKT.....396-inches					
9	35934GT	WIRE CABLE,18/19 CON.TPRJKT.....804-inches					
10	43960GT	WIRE CABLE,16/4 CON.TPE JKT.....86-inches					
11	43955GT	WIRE CABLE,12/3 CON.TPE JKT.....804-inches					
12	35934GT	WIRE CABLE,18/19 CON.TPRJKT.....733-inches					
13		Ref. Engine Harness #2 (consult factory)					
14	52764GT	CONTROL,BOX ASSY-GROUND,Z45/25.....1 includes index number 15; to SN 16867					
14	77155GT	CONTROL,BOX ASSY-GRND Z45 IC.....1 includes index number 15; from SN 16868 to SN 20095					
14	77522GT	CONTROL,BOX ASSY-GRND Z45 IC.....1 includes index number 15; from SN 20096					
15	50572GT	GASKET,GROUND CONTROL BOX.....1					
16	6888GT	SCREW,HHC,1/4-20 X 1.....1					
17	6638GT	WASHER,FLAT,USS,1/4"Y.....3					
18	6091GT	NUT,NYLOCK,1/4-20.....1					
19	13480-SGT	SWITCH,TOGGLE,DPDT,2POS MOMEN.....1 includes mounting fasteners; Ford models					
20	54692GT	SPACER,NYLON,.718 X .526 X.219.....1					
21	27246GT	BOOT,TOGGLE SWITCH,SHORT*.....1					
22	6090GT	SCREW,HHC,1/4-20 X .75.....2					
23	6638GT	WASHER,FLAT,USS,1/4"Y.....2					
24	6889GT	NUT,LP NYLOCK,1/4-20.....2					
25	216793GT	TERMINAL BLOCK END PLATE.....1 from SN 20096					

507.1 Turntable Covers - Engine Side

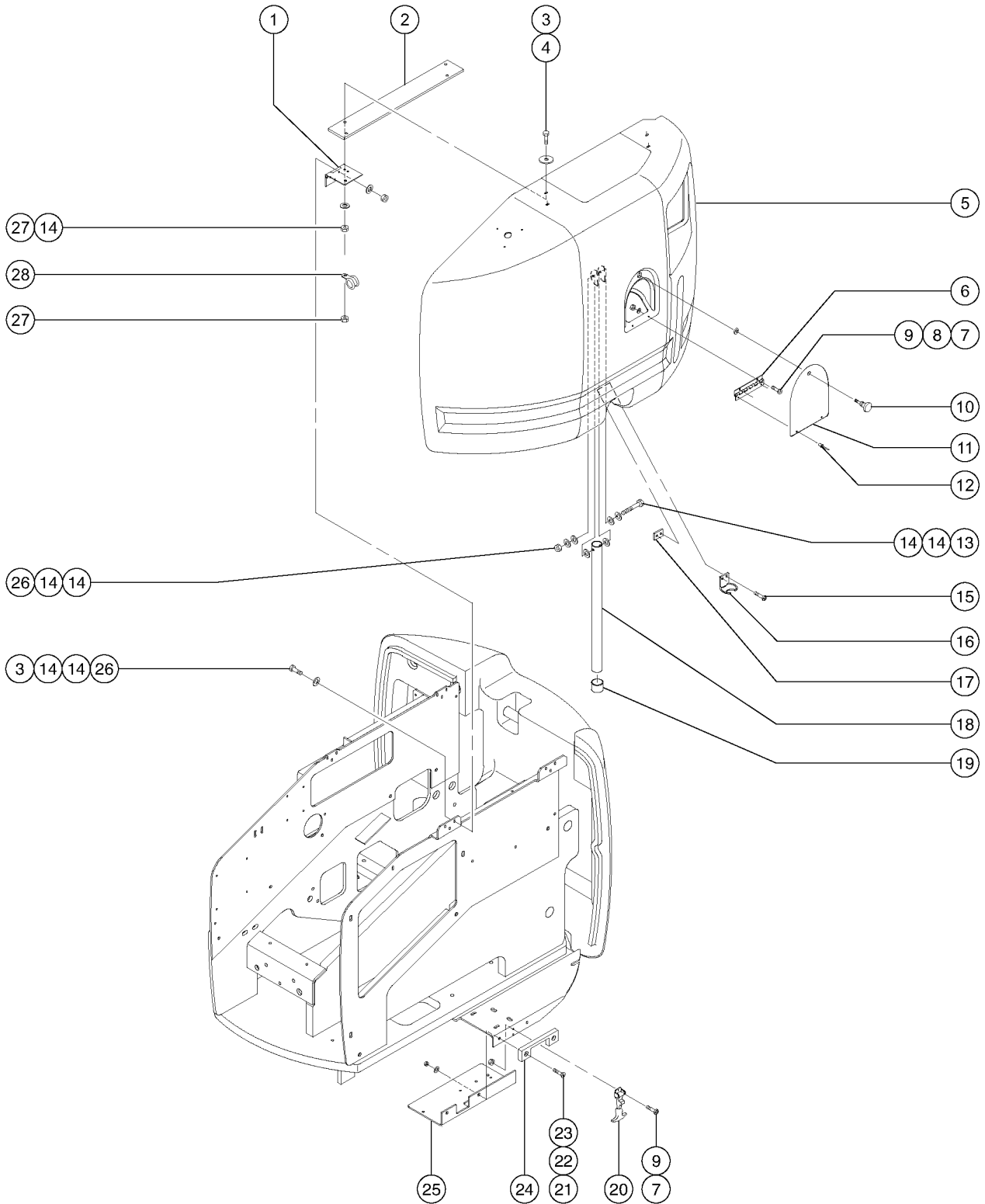


A TEREX BRAND

507.1 Turntable Covers - Engine Side

Item	Part No.	Description	Qty.	Item	Part No.	Description	Qty.
1	28301GT	GAS STRUT,250 LBS FORCE***.....1	1	33	52773GT	COVER ASSY.ENGINE SIDE,Z45/25.....1	1
--	27377GT	RETAINER,GAS SPRING***.....1	1				
--	72256GT	GAS STRUT,CONNECTOR (28301)					
2	33555GT	BALL STUD**.....2	2				
3	5397GT	WASHER,FLAT,USS,5/16",Y.....7	7				
4	6782GT	NUT,NYLOCK,5/16-18.....2	2				
5	6888GT	SCREW,HHC,1/4-20 X 1.....9	9				
6	6638GT	WASHER,FLAT,USS,1/4"Y.....21 <i>Ford models</i>	21				
7	49693GT	WASHER,FENDER,.25X1.50X.074.....13	13				
8	6091GT	NUT,NYLOCK,1/4-20.....21	21				
9	8915GT	SCREW,HHC,1/4-20 X 1.25.....4	4				
10	54146GT	FLAP,RUBBER,ENGINE COVER HOOD.....1	1				
11	50789PGT	FORMING,ENGINE COVER,PTD.....1	1				
12	75073GT	HINGE,.375X.120THK.,SLOTTED.....2	2				
13	54363GT	BRACKET,RUBBER BUMPER,ENGCOVER.....2	2				
14	50974GT	BUMPER,RUBBER,COVERS.....2	2				
15	8516GT	SCREW, HCC, 3/8-16 X 1.50.....4	4				
16	6097GT	WASHER,FLAT,USS,3/8",Y.....6	6				
17	4828GT	NUT,NYLOCK,3/8-16.....7	7				
18	45363GT	LATCH,FLEXIBLE DRAW W/O KEEPER.....1	1				
19	49816GT	SCREW,PHILLIPS,PHM,10-32 X .75.....2	2				
20	6146GT	WASHER,FLAT,MS,#10,Y.....2	2				
21	6178GT	NUT,NYLOCK,10-32.....2	2				
22	50580-SGT	DUCT,AIR INTAKE,DEUTZ,Z45/25**.....1 <i>Deutz models</i>	1				
23	6175GT	SCREW,HHC,3/8-16 X 1.....3	3				
24	6021GT	WASHER,LOCK,.375.....2	2				
25	54167GT	SEAL,RUBBER,BAFFLE,FORD.....1 <i>Ford models; to SN 17109</i>	1				
25	54616GT	SEAL,RUBBER,BAFFLE,PERKIN/FORD.1 <i>Ford and Perkins models; from SN 17110</i>	1				
26	54723GT	PLUG,1/4 X .400",BLK.....13 <i>Ford and Perkins models</i>	13				
27	54166GT	PLATE,AIR INTAKE ADAPTER,FRD**....1 <i>Ford models; to SN 17109</i>	1				
27	54608PGT	PLATE,AIR BAFFLE,FORD,PAINTED <i>Ford models; from SN 17110</i>					
28	6090GT	SCREW,HHC,1/4-20 X .75.....4	4				
29	50581PGT	PLATE,AIR INTAKE ADAPTER,PAINT....1 <i>Deutz models</i>	1				
30	77048GT	SCREW,PHM,10-32X3/4,ST TYPE F....2	2				
31	75076GT	KEEPER,LATCH (45363).....1	1				
32	54974GT	PLATE,COVER LATCH BACKING.....1	1				

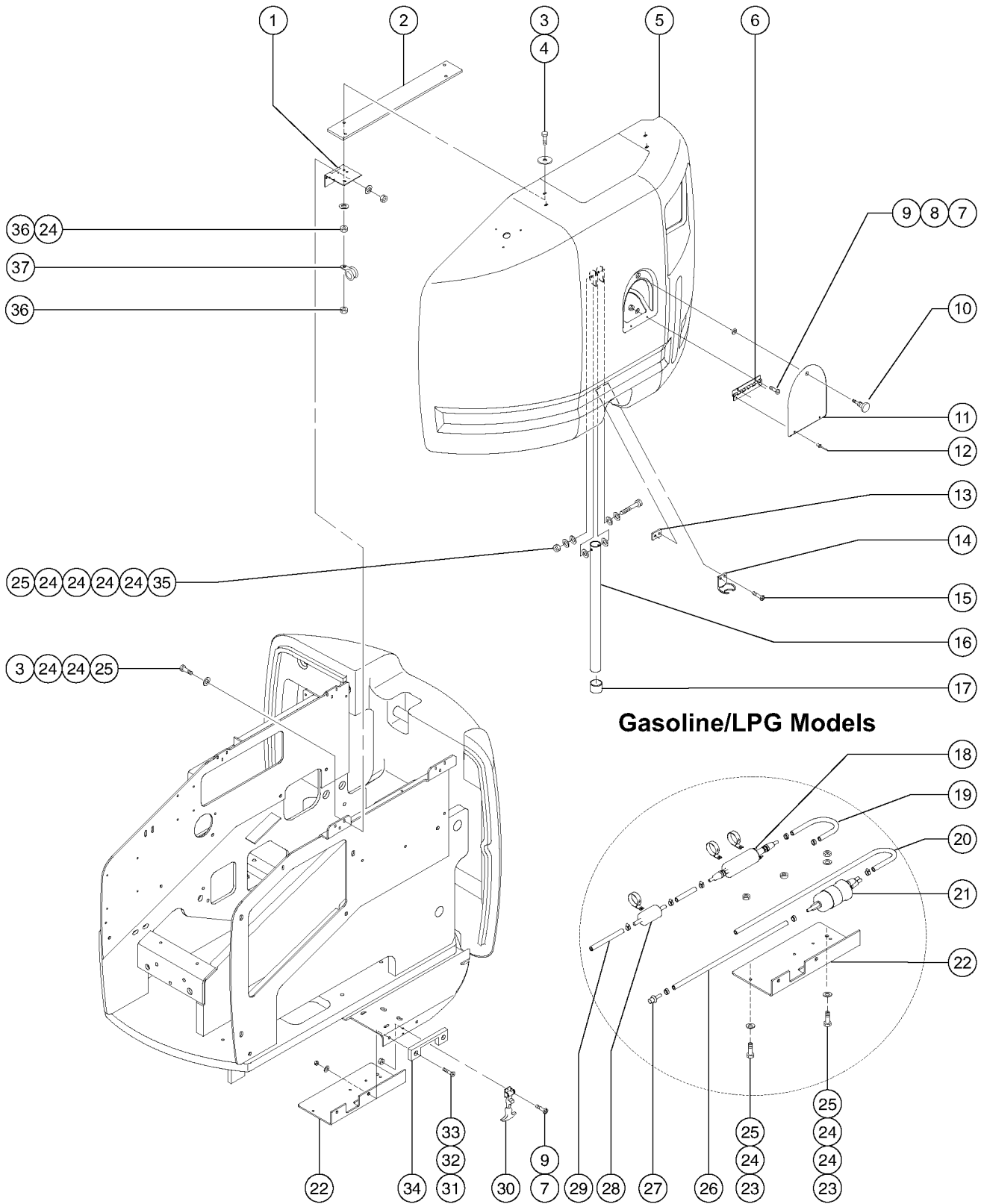
508.1 Turntable Covers - Tank Side (to SN 19693)



508.1 Turntable Covers - Tank Side (to SN 19693)

Item	Part No.	Description	Qty.	Item	Part No.	Description	Qty.
1	75073GT	HINGE,,375X.120THK.,SLOTTED.....2 to SN 19693	2	26	6091GT	NUT,NYLOCK,1/4-20.....11 to SN 19693	11
2	50965PGT	PLATE,COVER SPACER,PAINTED.....1 to SN 19693	1	27	6889GT	NUT,LP NYLOCK,1/4-20.....2 to SN 19693	2
3	6145GT	SCREW,HHC,1/4-20 X 1.5.....10 to SN 19693	10	28	6833GT	CLAMP,0.50,#8 X 1/4,RUB CUSH.....2 to SN 19693	2
4	12906GT	WASHER,FENDER,.25 X 1.25 X.062.....4 to SN 19693	4				
5	52774-SGT	COVER ASSY.HYD.TANKSIDE,Z45/25.....1 to SN 19693	1				
6	50971GT	HINGE,FUEL DOOR.....1 to SN 19693	1				
7	49816GT	SCREW,PHILLIPS,PHM,10-32 X .75.....2 to SN 19693	2				
8	6146GT	WASHER,FLAT,MS,#10,Y.....4 to SN 19693	4				
9	6178GT	NUT,NYLOCK,10-32.....8 to SN 19693	8				
10	54233GT	LATCH,FUEL DOOR.....1 to SN 19693	1				
11	54230PGT	FUEL DOOR,IC TANK SIDE,PNTD***1 to SN 19693	1				
12	54486GT	RIVET,ALUM,ALUM,3/16BUTTONHEAD.2 to SN 19693	2				
13	6884GT	SCREW,HHC,1/4-20 X 2.5.....1 to SN 19693	1				
14	6638GT	WASHER,FLAT,USS,1/4"Y.....18 to SN 19693	18				
15	77048GT	SCREW,PHM,10-32X3/4,ST TYPE F.....2 to SN 19693	2				
16	75076GT	KEEPER,LATCH (45363).....1 to SN 19693	1				
17	54974GT	PLATE,COVER LATCH BACKING.....1 to SN 19693	1				
18	77524GT	TUBE,PROP ROD,18.63",W/CAP.....1 includes index number 19; to SN 19693	1				
19	55753GT	BUMPER, PLASTIC, 1.25 O.D.....1 to SN 19693	1				
20	45363GT	LATCH,FLEXIBLE DRAW W/O KEEPER.....1 to SN 19693	1				
21	17712GT	SCREW,FHS,3/8-16 X 1.75.....2 to SN 19693	2				
22	5397GT	WASHER,FLAT,USS,5/16",Y.....2 to SN 19693	2				
23	4828GT	NUT,NYLOCK,3/8-16.....2 to SN 19693	2				
24	54073GT	WEAR PAD,TANK SIDE BUMPER.....1 to SN 19693	1				
25	77328PGT	PLATE,FUEL PUMP,FORD/WALBRO.....1 Ford models; to SN 19693	1				

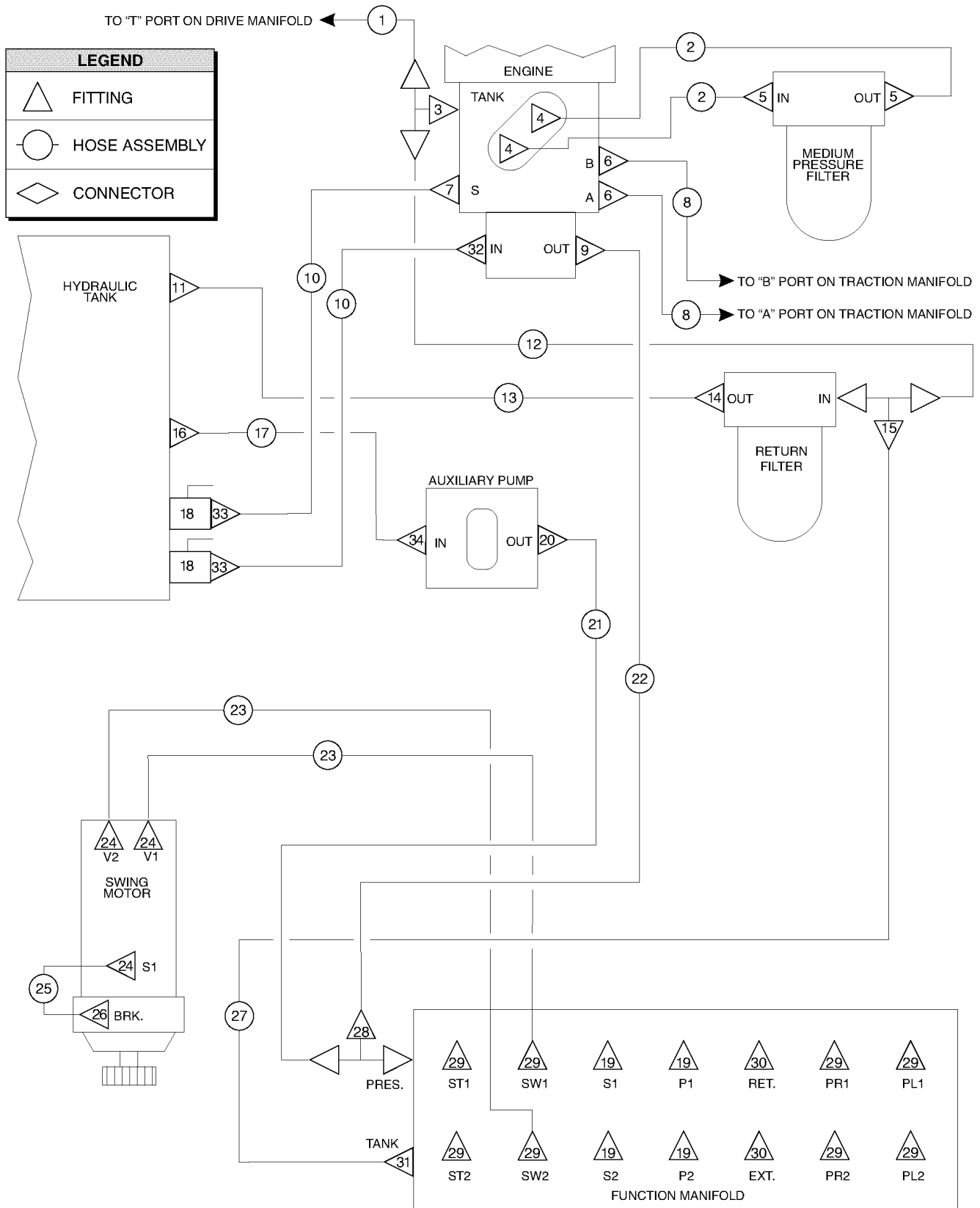
509.1 Turntable Covers - Tank Side and Fuel Filter (from SN 19694)



509.1 Turntable Covers - Tank Side and Fuel Filter (from SN 19694)

Item	Part No.	Description	Qty.	Item	Part No.	Description	Qty.
1	75073GT	HINGE,,375X.120THK.,SLOTTED.....2 <i>from SN 19694</i>	2	21	65887GT	CLAMP,HOSE,1 EAR,1/2.....1 <i>from SN 19694</i>	1
2	50965PGT	PLATE,COVER SPACER,PAINTED.....1 <i>from SN 19694</i>	1	21	77356GT	CONN. ASSY,9.5 TUBE X6.35 HOSE.....1 <i>from SN 19694</i>	1
3	6145GT	SCREW,HHC,1/4-20 X 1.5.....10 <i>from SN 19694</i>	10	22	77328PGT	PLATE,FUEL PUMP,FORD/WALBRO.....1 <i>from SN 19694</i>	1
4	49693GT	WASHER,FENDER,,25X1.50X.074.....4 <i>from SN 19694</i>	4	23	6090GT	SCREW,HHC,1/4-20 X .75.....4 <i>from SN 19694</i>	4
5	52774-SGT	COVER ASSY.HYD.TANKSIDE,Z45/25.....1 <i>from SN 19694</i>	1	24	6638GT	WASHER,FLAT,USS,1/4"Y.....23 <i>from SN 19694</i>	23
6	50971GT	HINGE,FUEL DOOR.....1 <i>from SN 19694</i>	1	25	6091GT	NUT,NYLOCK,1/4-20.....15 <i>from SN 19694</i>	15
7	49816GT	SCREW,PHILLIPS,PHM,10-32 X .75.....2 <i>from SN 19694</i>	2	26	27089GT	HOSE,5/16 FUEL,SAE 30R7.....53-inches <i>from SN 19694</i>	53
8	6146GT	WASHER,FLAT,MS,#10,Y.....4 <i>from SN 19694</i>	4	27	65888GT	CONN. BODY, 6.35 X 14.1, FORD.....1 <i>from SN 19694</i>	1
9	6178GT	NUT,NYLOCK,10-32.....8 <i>from SN 19694</i>	8	28	21465GT	CLAMP,HOSE,,.25" - .63" X .3125.....1 <i>from SN 19694</i>	1
10	54233GT	LATCH,FUEL DOOR.....1 <i>from SN 19694</i>	1	28	27089GT	HOSE,5/16 FUEL,SAE 30R7.....3-inches <i>from SN 19694</i>	3
11	54230PGT	FUEL DOOR,IC TANK SIDE,PNTD***.....1 <i>from SN 19694</i>	1	28	52179GT	FILTER, FUEL LRG 425/423 EFI.....1 <i>from SN 19694</i>	1
12	54486GT	RIVET,ALUM,ALUM,3/16BUTTONHEAD.2 <i>from SN 19694</i>	2	29	27089GT	HOSE,5/16 FUEL,SAE 30R7.....22-inches <i>from SN 19694</i>	22
13	54974GT	PLATE,COVER LATCH BACKING.....1 <i>from SN 19694</i>	1	30	45363GT	LATCH,FLEXIBLE DRAW W/O KEEPER.....1 <i>from SN 19694</i>	1
14	75076GT	KEEPER,LATCH (45363).....1 <i>from SN 19694</i>	1	31	17712GT	SCREW,FHS,3/8-16 X 1.75.....2 <i>from SN 19694</i>	2
15	77048GT	SCREW,PHM,10-32X3/4,ST TYPE F.....2 <i>from SN 19694</i>	2	32	5397GT	WASHER,FLAT,USS,5/16",Y.....2 <i>from SN 19694</i>	2
16	77524GT	TUBE,PROP ROD,18.63",W/CAP.....1 <i>includes index number 17; from SN 19694</i>	1	33	4828GT	NUT,NYLOCK,3/8-16.....2 <i>from SN 19694</i>	2
17	55753GT	BUMPER, PLASTIC, 1.25 O.D.....1 <i>from SN 19694</i>	1	34	54073GT	WEAR PAD,TANK SIDE BUMPER.....1 <i>from SN 19694</i>	1
18	65887GT	CLAMP,HOSE,1 EAR,1/2.....1 <i>from SN 19694</i>	1	35	6884GT	SCREW,HHC,1/4-20 X 2.5.....1 <i>from SN 19694</i>	1
18	65892GT	CONN. ASSY,7.9 TUBE X6.35 HOSE.....1 <i>from SN 19694</i>	1	36	6889GT	NUT,LP NYLOCK,1/4-20.....2 <i>from SN 19694</i>	2
18	77219GT	PUMP, FUEL, LRG425, WALBRO.....1 <i>does not include hose connectors or clamps; from SN 19694</i>	1	37	6833GT	CLAMP,0.50,#8 X 1/4,RUB CUSH.....2 <i>from SN 19694</i>	2
19	71909GT	HOSE,FUEL,5/16 HIGH PRESSURE**.....11-inches <i>from SN 19694</i>	11				
20	71909GT	HOSE,FUEL,5/16 HIGH PRESSURE**.....100-inches <i>from SN 19694</i>	100				
21	21465GT	CLAMP,HOSE,,.25" - .63" X .3125.....1 <i>from SN 19694</i>	1				
21	58967GT	FUEL PRESSURE REG,425EFI***.....1 <i>from SN 19694</i>	1				

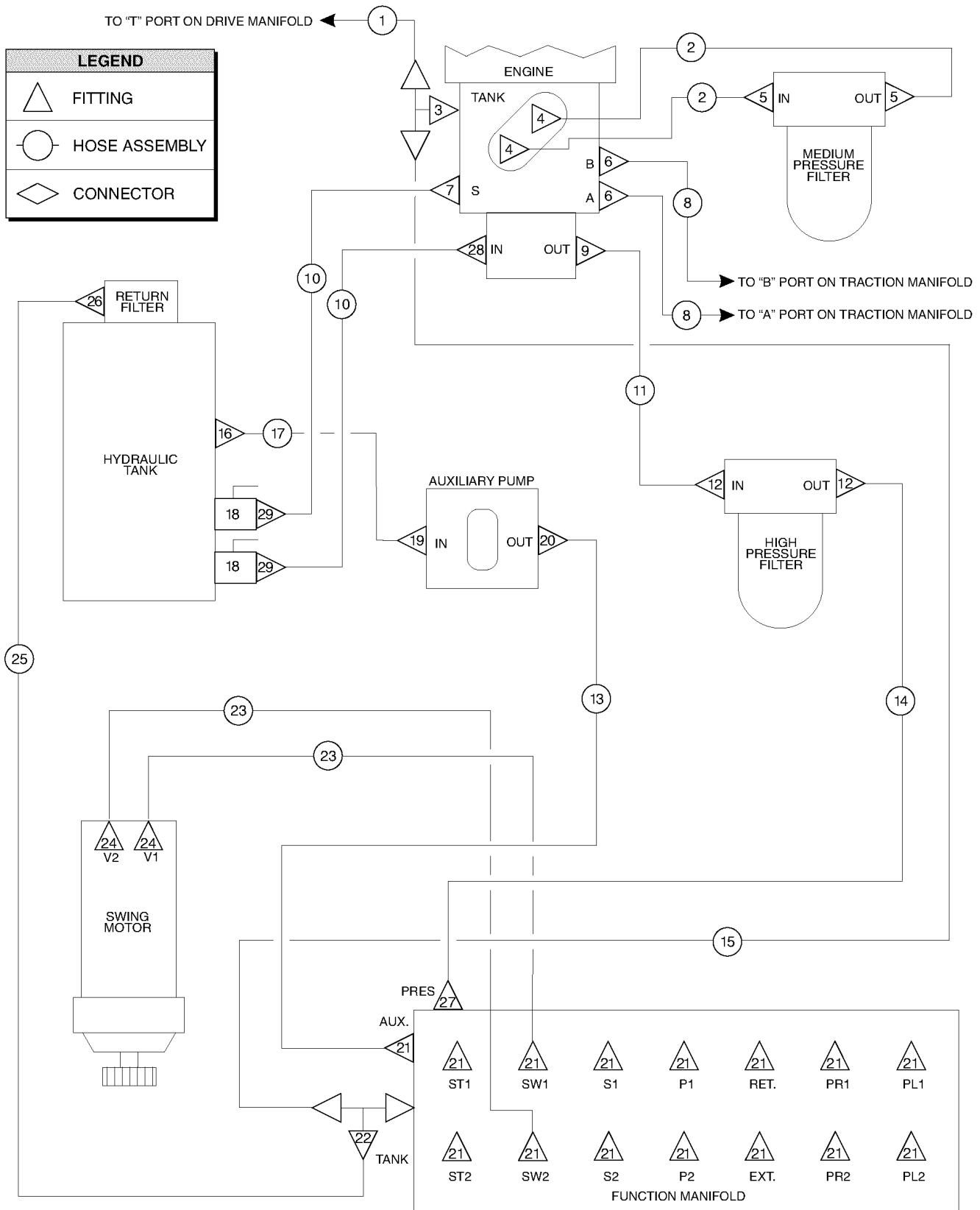
510.1 Hydraulic Hoses and Fittings - Turntable Components (to SN 20757)



510.1 Hydraulic Hoses and Fittings - Turntable Components (to SN 20757)

Item	Part No.	Description	Qty.	Item	Part No.	Description	Qty.
--	49612GT	O-RING KIT (ORFS FITTINGS)		19	48916GT	CONN, 520120-6.....4 to SN 19714	4
--	49613GT	PLUG AND CAP KIT-SERVICE,ORFS*		20	48907GT	ELBOW,45D,520320-4.....1	1
1	49149-10826GT	HOSE ASSY,3/4,45 FEM,STR FEM.....1 <i>Hose End - Female, Swivel, ORFS, Hose End - Female, Swivel, 45°, ORFS and Hose, 3/4 inch</i>	1	21	49164-5743GT	HOSE ASSY 1/4,90 DEG FEM,STR F....1 <i>Hose End - Female, Swivel, ORFS, Hose End - Female, Swivel, 90°, ORFS and Hose, 1/4 inch</i>	1
2	49141-2463GT	HOSE ASSY,1/2,45 FEM,STR FEM**2 <i>Hose End - Female, Swivel, ORFS, Hose End - Female, Swivel, 45°, ORFS and Hose, 1/2 inch</i>	2	22	54086-7068GT	HOSE ASSY,ENG/F.MANIFOLD.....1 <i>Hose End - Female, Swivel, ORFS, Hose End - Female, Swivel, 45°, ORFS and Hose, 1/2 inch</i>	1
3	48962GT	TEE,BRANCH,520429-12.....1	1	23	49119-5078GT	HOSE ASSY,1/4,STR FEM,STR FEM*....2 <i>Hose End - Female, Swivel, ORFS, Hose End - Female, Swivel, ORFS and Hose, 1/4 inch</i>	2
4	48946GT	CONN,520120-8-10.....2	2	24	48904GT	ELBOW,90D,520220-4-4.....3 from SN 18367	3
5	48932GT	FITTING,ELBOW,90D,520220-8***2 from SN 18782	2	24	48911GT	ELBOW,90D,520220-4-6***3 to SN 18366	3
5	48947GT	ELBOW,90D,520220-8-12.....2 to SN 18781	2	25	54319-1404GT	HOSE ASSY,SWNG MOTOR/BRAKE.....1 <i>Hose End - Female, Swivel, 90°, ORFS, Hose End - Female, Swivel, 90°, ORFS and Hose, 1/4 inch; to SN 18366</i>	1
6	48978GT	ELBOW,45D,520320-12-16.....2	2	26	39877GT	CONNECTOR,070120-4-4.....1	1
7	48985GT	ELBOW,45D,520320-16.....1	1	27	54085-8218GT	HOSE ASSY,R.FILTER/F.MANIFOL**1 <i>Hose End - Female, Swivel, ORFS, Hose End - Female, Swivel, ORFS and Hose, 1/2 inch</i>	1
8	49156-10856GT	HOSE ASSY,3/4,90 FEM,STR FEM.....2 <i>Hose End - Female, Swivel, ORFS, Hose End - Female, Swivel, 90°, Long, ORFS and Hose, 3/4 inch</i>	2	28	48935GT	TEE,RUN,520428-8.....1	1
9	48899GT	VALVE,CHK,#10PORT-#10MALEORFS..1	1	29	48905GT	CONN,520120-4***8 from SN 19715	8
10	49159-4618GT	HOSE ASSEMBLY, 1".....2 <i>Hose End - Female, Swivel, NPTF, Hose End - Female, Swivel, 90°, ORFS and Hose, 42 inches long; from SN 10163; Consult Factory prior to ordering</i>	2	29	48912GT	CONN,520120-4-6***8 to SN 19714	8
10	54089-4761SGT	HOSE ASSY,90F,STR MALE**2 <i>Hose End - Male, Swivel, Hose End - Female, Swivel, 90°, ORFS and Hose, 42 inches long; to SN 10162; Consult Factory prior to ordering</i>	2	30	48905GT	CONN,520120-4***2 from SN 19715	2
11	48965GT	ELBOW,90D,520202-12.....1	1	30	48930GT	CONN,520120-6-8.....2 to SN 19714	2
12	49150-3930GT	HOSE ASSY,3/4,90 FEM,STR FEM.....1 <i>Hose End - Female, Swivel, ORFS, Hose End - Female, Swivel, 90°, ORFS and Hose, 3/4 inch</i>	1	31	48933GT	CONN,520120-8***1	1
13	49151-7548GT	HOSE ASSY,3/4,STR FEM,STR FEM.....1 <i>Hose End - Female, Swivel, ORFS, Hose End - Female, Swivel, ORFS and Hose, 3/4 inch</i>	1	32	48992GT	ELBOW,45D,520320-16-12.....1	1
14	48959GT	FITTING,ELBOW,90D,520220-12.....1	1	33	48986GT	CONN,520102-16.....2	2
15	48961GT	TEE,RUN,520428-12.....1	1	34	48916GT	CONN, 520120-6.....1	1
16	48922GT	CONN,520102-6-6.....1	1				
17	49126-2733GT	HOSE ASSY,3/8,45 FEM,STR FEM.....1 <i>Hose End - Female, Swivel, ORFS, Hose End - Female, Swivel, 45°, ORFS and Hose, 3/8 inch</i>	1				
18	48994GT	VALVE,BALL,16 MPT-16 FPT***2	2				
19	48905GT	CONN,520120-4***4 from SN 19715	4				

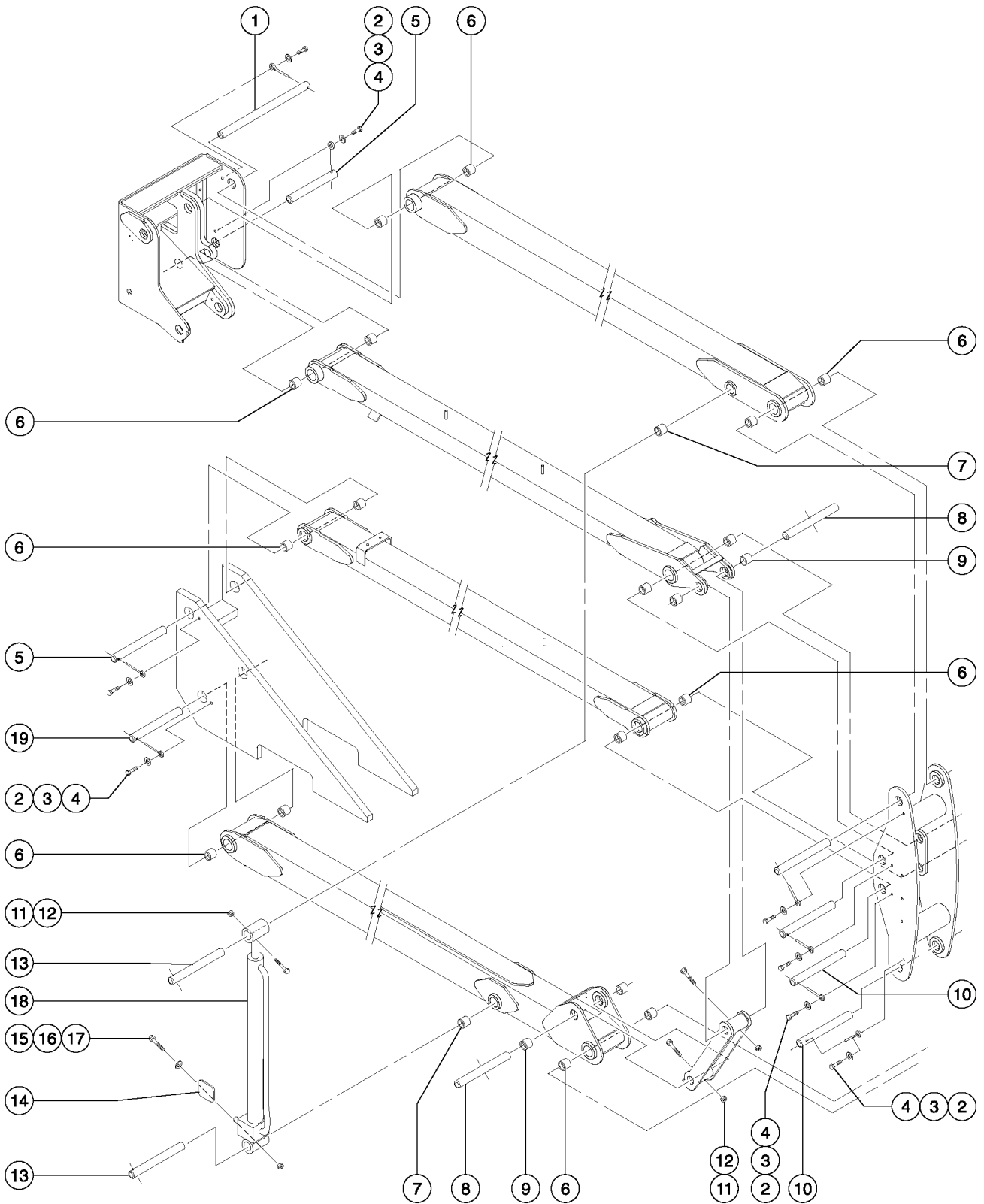
511.1 Hydraulic Hoses and Fittings - Turntable Components (from SN 20758)



511.1 Hydraulic Hoses and Fittings - Turntable Components (from SN 20758)

Item	Part No.	Description	Qty.	Item	Part No.	Description	Qty.
--	49612GT	O-RING KIT (ORFS FITTINGS)		17	49126-2733GT	HOSE ASSY,3/8,45 FEM,STR FEM.....1 <i>Hose End - Female, Swivel, ORFS (Parker No. 1JC43-6), Hose End - Female, Swivel, 45°, ORFS (Parker No. 1J743-6) and Hose, 3/8 inch (Parker No. 451TC-6)</i>	1
--	49613GT	PLUG AND CAP KIT-SERVICE,ORFS*		18	48994GT	VALVE,BALL,16 MPT-16 FPT***.....2	2
1	49149-10826GT	HOSE ASSY,3/4,45 FEM,STR FEM.....1 <i>Hose End - Female, Swivel, ORFS (Parker No. 1JC43-12), Hose End - Female, Swivel, 45°, ORFS (Parker No. 1J743-12) and Hose, 3/4 inch (Parker No. 482TC-12)</i>	1	19	48916GT	CONN,520120-6.....1	1
2	49141-2463GT	HOSE ASSY,1/2,45 FEM,STR FEM**.....2 <i>Hose End - Female, Swivel, ORFS (Parker No. 1JC43-8), Hose End - Female, Swivel, 45°, ORFS (Parker No. 1J743-8) and Hose, 1/2 inch (Parker No. 451TC-8)</i>	2	20	48907GT	ELBOW,45D,520320-4.....1	1
3	48962GT	TEE,BRANCH,520429-12.....1	1	21	48905GT	CONN,520120-4***.....15	15
4	48946GT	CONN,520120-8-10.....2	2	22	48961GT	TEE,RUN,520428-12.....1	1
5	48932GT	FITTING,ELBOW,90D,520220-8***.....2	2	23	49119-5078GT	HOSE ASSY,1/4,STR FEM,STR FEM*.....2 <i>Hose End - Female, Swivel, ORFS (Parker No. 1JC43-4), Hose End - Female, Swivel, ORFS (Parker No. 1JC43-4) and Hose, 1/4 inch (Parker No. 481TC-4)</i>	2
6	48978GT	ELBOW,45D,520320-12-16.....2	2	24	48904GT	ELBOW,90D,520220-4-4.....2	2
7	48985GT	ELBOW,45D,520320-16.....1	1	25	49149-1726GT	HOSE ASSY,3/4,45 FEM,STR FEM.....1 <i>Hose End - Female, Swivel, ORFS (Parker No. 1JC43-12), Hose End - Female, Swivel, 45°, ORFS (Parker No. 1J743-12) and Hose, 3/4 inch (Parker No. 482TC-12)</i>	1
8	49156-10856GT	HOSE ASSY,3/4,90 FEM,STR FEM.....2 <i>Hose End - Female, Swivel, ORFS (Parker No. 1JC71-12), Hose End - Female, Swivel, 90°, Long, ORFS (Parker No. 1J971-12) and Hose, 3/4 inch (Parker No. 772-12)</i>	2	26	48977GT	CONN,520120-12-16.....1	1
9	48899GT	VALVE,CHK,#10PORT-#10MALEORFS..1	1	27	48933GT	CONN,520120-8***.....1	1
10	49159-4618GT	HOSE ASSEMBLY, 1".....2 <i>Hose End - Male, Swivel, NPTF (Parker No. JC43-16), Hose End - Female, Swivel, 90°, ORFS (Parker No. 1J943-16) and Hose, 1 inch (Parker No. 881-16)</i>	2	28	48922GT	CONN,520102-6-6.....1	1
11	49108-2329GT	HOSE ASSY,1/2,90 FEM,STR FEM**.....1 <i>Hose End - Female, Swivel, ORFS (Parker No. 1JC43-8), Hose End - Female, Swivel, 45°, ORFS (Parker No. 1J943-10-8) and Hose, 1/2 inch (Parker No. 381-8)</i>	1	29	48986GT	CONN,520102-16.....2	2
12	48948GT	CONN,520120-8-12.....2	2				
13	49119-5178GT	HOSE ASSY,1/4,STR FEM,STR FEM.....1 <i>Hose End - Female, Swivel, ORFS (Parker No. 1JC43-4), Hose End - Female, Swivel, ORFS (Parker No. 1JC43-4) and Hose, 1/4 inch (Parker No. 481TC-4)</i>	1				
14	49109-7729GT	HOSE ASSY,1/2,90 FEM,STR FEM.....1 <i>Hose End - Female, Swivel, 90°, ORFS (Parker No. 1J943-8-4), Hose End - Female, Swivel, ORFS (Parker No. 1JC43-8) and Hose, 1/2 inch (Parker No. 381-8)</i>	1				
15	49151-8248GT	HOSE ASSY,3/4,STR FEM,STR FEM.....1 <i>Hose End - Female, Swivel, ORFS (Parker No. 1JC43-12), Hose End - Female, Swivel, ORFS (Parker No. 1JC43-12) and Hose, 3/4 inch (Parker No. 482TC-12)</i>	1				
16	48922GT	CONN,520102-6-6.....1	1				

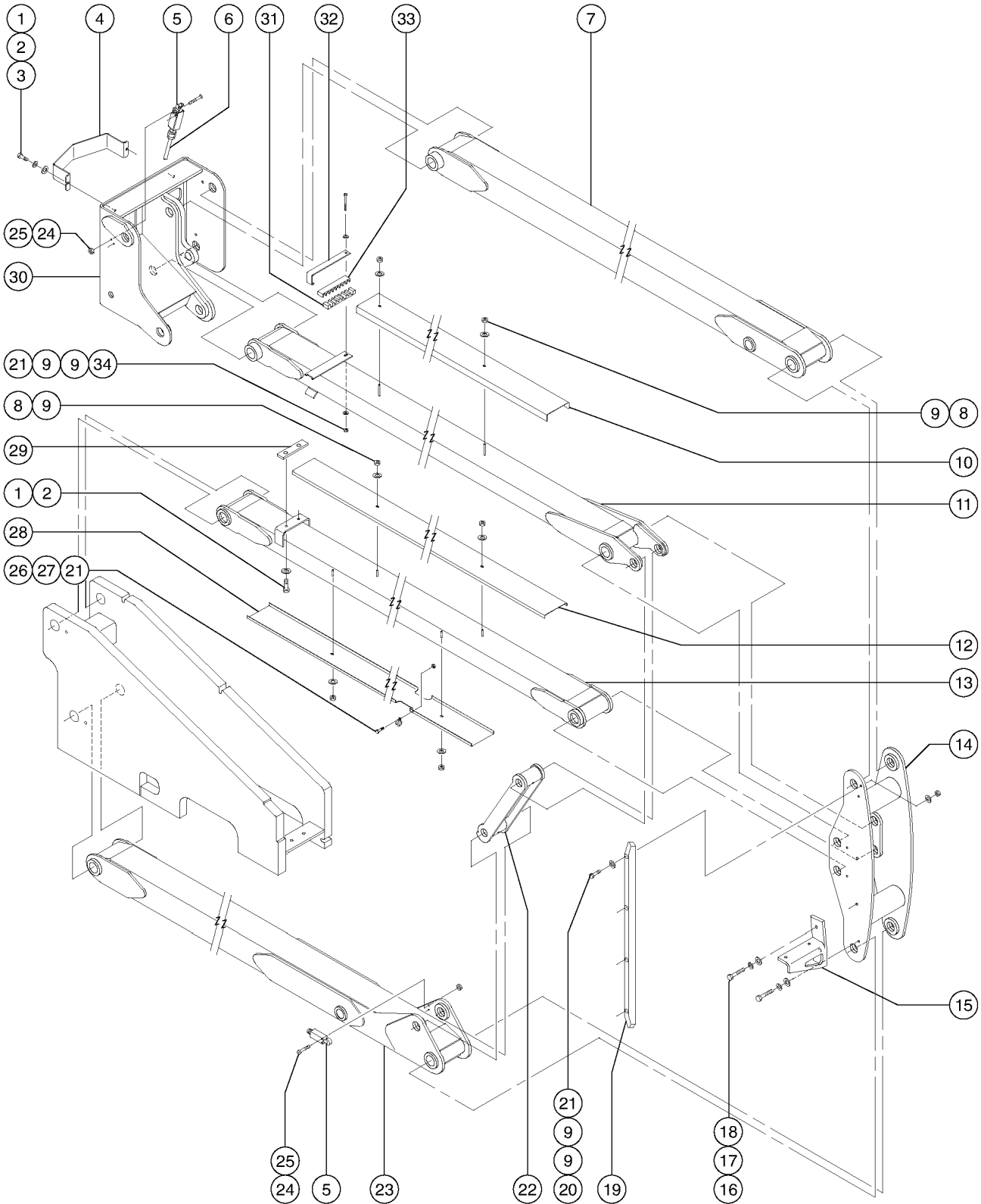
601.1 Boom Installation - Pins and Bushings



601.1 Boom Installation - Pins and Bushings

Item	Part No.	Description	Qty.
1	54331GT	PIN,1.75DIAX23.57LG,CHAMFER***.....1	1
2	8177GT	SCREW,HHC,1/2-13 X 1.5.....8	8
3	6033GT	WASHER,LOCK,0.5".....8	8
4	1256267GT	ROD END,.5 X 3.75,ZAG.....8	8
5	54738GT	PIN,1.75DIAX12.25LG,CHAMFER.....2	2
6	30221GT	BEARING,1.75IDX2.OODX1.50LG.....16	16
7	45071GT	BEARING,1.5IDX1.75ODX1.5L.....4	4
8	107727GT	PIN,1.50DIAX7.50LG,1HOLE***.....2	2
9	54156GT	BEARING,FL,1.5IDX1.75ODX1.10LG....4	4
10	54302GT	PIN,1.75DIAX11.63LG,CHAMFER.....4	4
11	4828GT	NUT,NYLOCK,3/8-16.....3	3
12	6326GT	SCREW,HHC,3/8-16 X 3.....3	3
13	50455GT	PIN,1.50DIAX13.88LG,2HOLE.....2	2
14	54726GT	WEAR PAD,SECONDARY CYL,NON/JIB.....1	1
15	6605GT	SCREW,HHC,3/8-16 X 3.5,GR5.....1	1
16	5397GT	WASHER,FLAT,USS,5/16",Y.....1	1
17	7713GT	NUT, LP NYLOCK, 3/8-16.....1	1
18	50481GT	VALVE,COUNTERBALANCE,3500 PSI.....2 <i>for cylinder 59166</i>	2
18	52758GT	SEAL KIT,50302 CYLINDER.....2 <i>for cylinder 50302</i>	2
18	59444GT	SEAL KIT, Z45 ELEV%%.....2 <i>for cylinder 59254</i>	2
18	77303GT	VALVE, CNTRBAL 3500 PSI, ATM VEN.....2	2
18	77521GT	SEAL KIT,ELEVATE (88203).....2	2
18	88203GT	CYLINDER,ELEVATE,Z45/25***.....2 <i>from SN 20529</i>	2
19	50460GT	PIN,1.75DIAX12.13LG,CHAMFER.....1	1

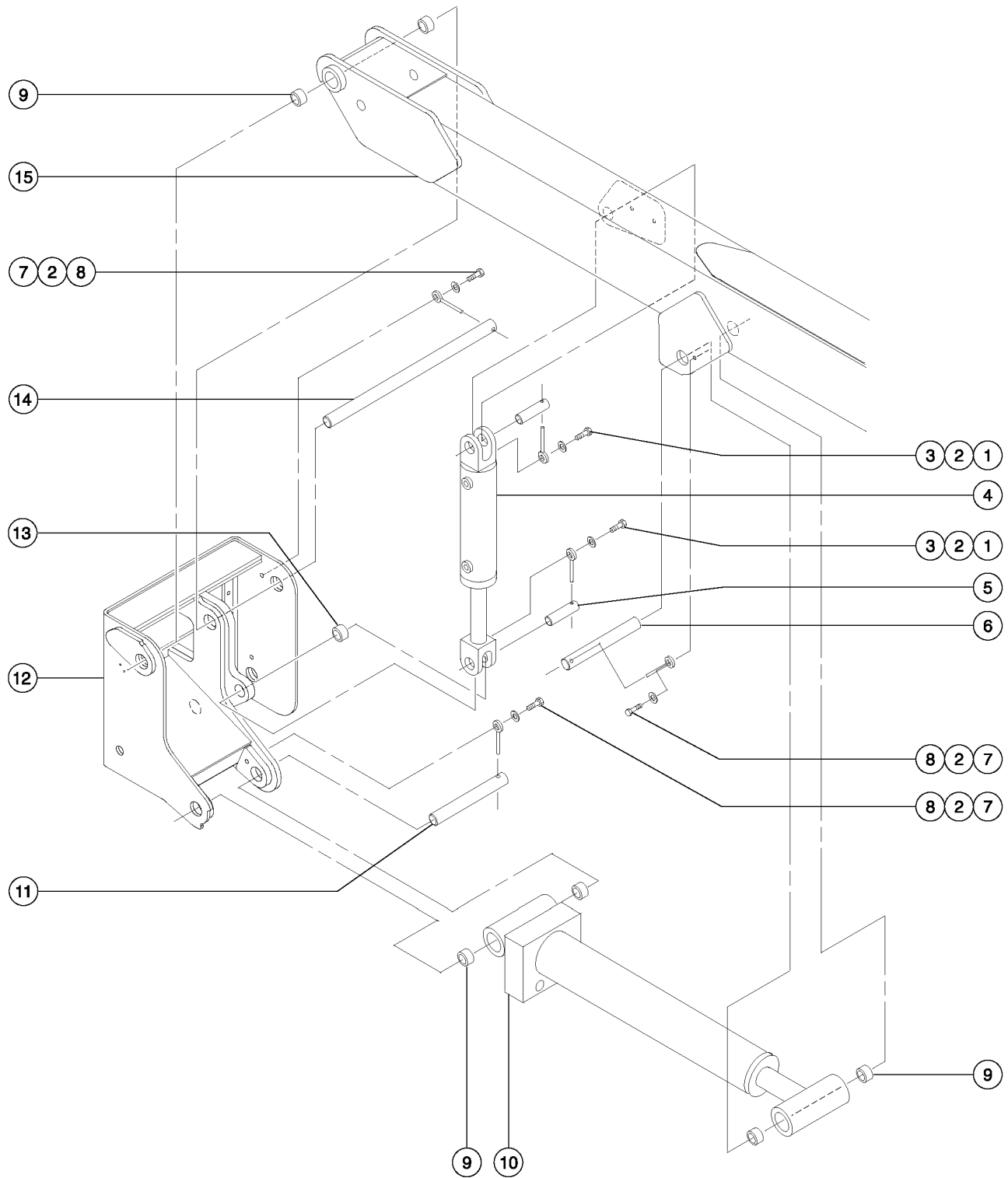
602.1 Boom Installation - Linkage



602.1 Boom Installation - Linkage

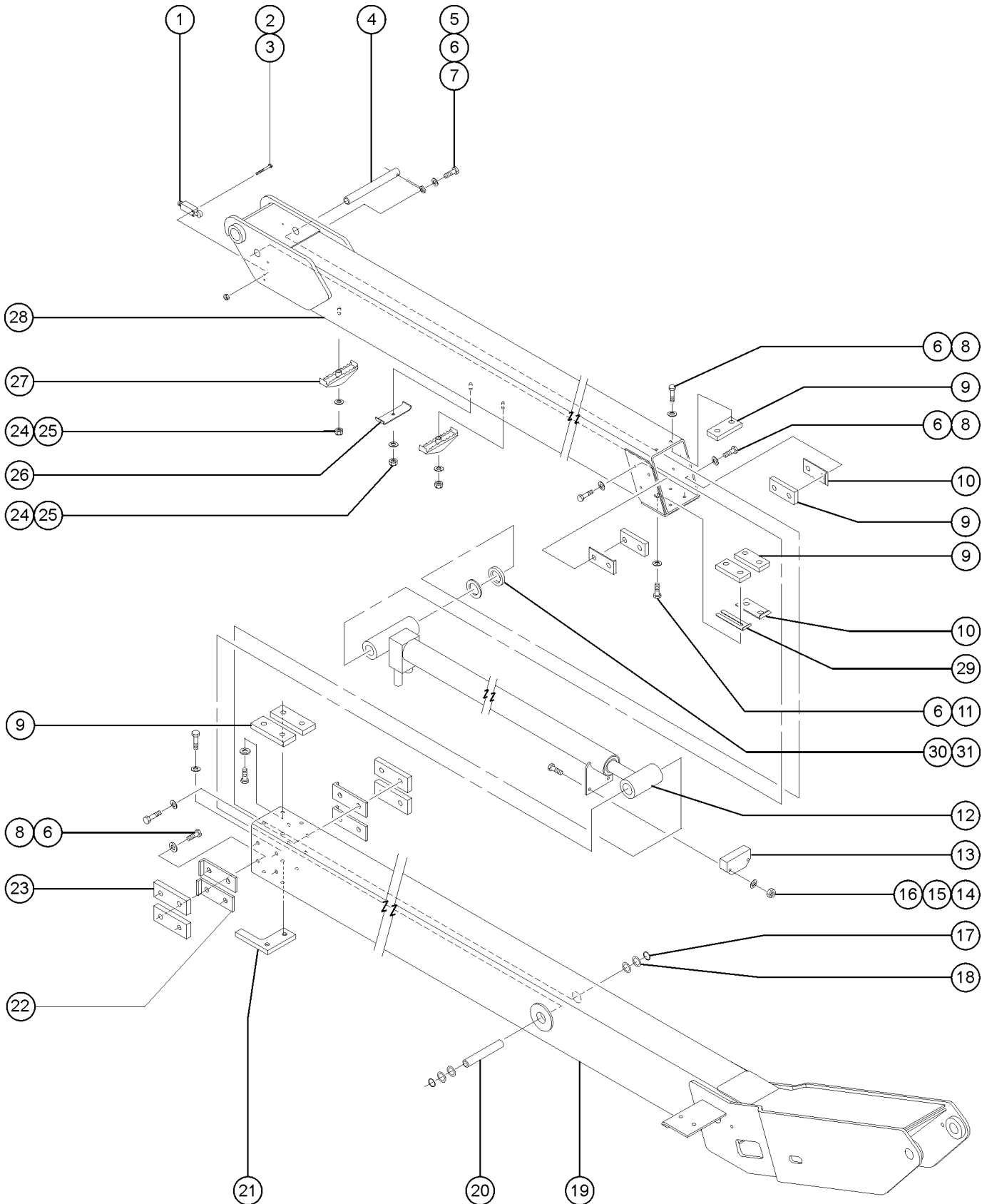
Item	Part No.	Description	Qty.
1	6175GT	SCREW,HHC,3/8-16 X 1.....	4
2	6021GT	WASHER,LOCK,.375.....	4
3	6097GT	WASHER,FLAT,USS,3/8",Y.....	2
4	60074PGT	COVER BRACE,UPPER PIVOT,REAR,P.....	1
5	88356-11103GT	SWITCH,LIMIT,W/RLR ARM,NO/NC**.....	2
--	19491GT	CONTACTOR,LIMIT SWITCH	
--	97128GT	ROLLER ARM,LIMIT SWITCH***	
6	43960GT	WIRE CABLE,16/4 CON.TPE JKT.....	396-inches
7	52729GT	UPPER SECONDARY ARM ASSY-Z45.....	1
8	6889GT	NUT,LP NYLOCK,1/4-20.....	6
9	6638GT	WASHER,FLAT,USS,1/4"Y.....	16
10	88370GT	HOSE COVER,UPPER ARM.....	1
11	52740GT	UPPER LEVEL ARM ASSY,SERV.....	1
12	50517-SGT	HOSE COVER,LOWER LEVEL,TOP,PAI.....	1
13	52741GT	LOWER LEVEL ARM ASSY.....	1
14	52738GT	MIDPIVOT ASSY Z45IC.....	1
15	50952-SGT	BOOM REST WELDMENT.....	1
16	10587GT	SCREW,HHC,1/2-13 X.75.....	2
16	8177GT	SCREW,HHC,1/2-13 X 1.5.....	2
17	6033GT	WASHER,LOCK,0.5".....	2
18	6095GT	WASHER,FLAT,USS,1/2",Y.....	2
19	54168GT	WEAR PAD,MID PIVOT,PERIMETER.....	1
20	4266GT	SCREW,HHC,1/4-20 X 2.....	4
21	6091GT	NUT,NYLOCK,1/4-20.....	6
22	50479-SGT	CONNECTING LINK, Z45/25.....	1
23	52742GT	LOWER SECONDARY ARM ASSY..... <i>includes bearings</i>	1
24	54239GT	SCREW,PHILLIPS,PHM,10-32 X 2.0.....	4
25	6178GT	NUT,NYLOCK,10-32.....	4
26	7339GT	SCREW,HHC,1/4-20 X .5.....	1
27	6833GT	CLAMP,0.50,#8 X 1/4,RUB CUSH.....	2
28	50548PGT	HOSE COVER,LOWER LEVEL,BOT,PAI.....	1
29	49772GT	WEAR PAD,6 X 1.5 X.50,W/INSERT.....	1
30	52728GT	UPPER PIVOT W/BEARING-Z45/25.....	1
31	94530GT	CLAMPING BLOCK,CABLE..... <i>from SN 20593</i>	1
32	94531PGT	BRACKET,HOSE CLAMP PAINTED***..... <i>from SN 20593</i>	1
33	94529GT	CLAMPING BLOCK,HOSE***..... <i>from SN 20593</i>	1
34	6888GT	SCREW,HHC,1/4-20 X 1..... <i>from SN 20593</i>	1

603.1 Upper Pivot



Item	Part No.	Description	Qty.
1	6175GT	SCREW,HHC,3/8-16 X 1.....	2
2	6021GT	WASHER,LOCK,.375.....	5
3	1255452GT	ROD END,.375 X 2.25,ZAG.....	2
4	139599GT	KIT,CYLINDER REPLACEMENT,Z-45*... <i>to SN 19867; upgrade service kit required for first-time replacement (includes both the master and slave cylinders); after first-time replacement, refer to 77362 below</i>	1
4	52745GT	SEAL KIT,50337,50353 CYLINDER <i>for cylinder 50337</i>	
4	59263GT	SEAL KIT-3" BORE X 1.5" ROD <i>for cylinder 59132 and 59340</i>	
4	59389GT	CYLINDER,MASTER,Z45,#4PORTS***.. <i>to SN 12673</i>	1
4	59445GT	SEAL KIT,3" BORE,1.5" RD <i>for cylinder 59389</i>	
4	77362GT	CYLINDER,MASTER,Z45***..... <i>from SN 19868</i>	1
4	77364GT	SEAL KIT,MASTER & SLAVE CYL <i>for cylinder 77362</i>	
5	34276GT	PIN,1.25DIAX3.37LG,1HOLE.....	2
6	50542GT	PIN,1.75DIAX9.25LG,1HOLE.....	1
7	6175GT	SCREW,HHC,3/8-16 X 1.....	3
8	825019GT	ROD END,.375X3.69,ZAG.....	3
9	1262633GT	BEARING,POLYGON,BM5120.....	6
10	1263056GT	CYLINDER,PRIM LIFT NON JIB,Z45..... <i>includes 4 each index number 9</i>	1
10	1263057GT	CYLINDER,PRIM LIFT JIB,Z45..... <i>includes 4 each index number 9; to SN 19678</i>	1
10	52744GT	SEAL KIT,50287,50392 CYLINDER..... <i>for cylinder 50392</i>	1
10	77014GT	VALVE,COUNTERBALANCE,3800 PSI..... <i>for cylinder 50392, 77187, 1263056</i>	1
10	77189GT	SEAL KIT,CYL,Z45 (77187&77188)..... <i>for cylinder 77187, 1263056</i>	1
11	54738GT	PIN,1.75DIAX12.25LG,CHAMFER.....	1
12	52728GT	UPPER PIVOT W/BEARING-Z45/25..... <i>includes index number 13</i>	1
13	30370GT	BEARING,1.25IDX1.5ODX1.00L.....	1
14	54331GT	PIN,1.75DIAX23.57LG,CHAMFER***.....	1
15		Ref. Primary Boom Tube Assembly (refer to Figure 6-D and 6-E).....	1

604.1 Primary and Extension Booms - Non-Jib Models



A TEREX BRAND

604.1 Primary and Extension Booms - Non-Jib Models

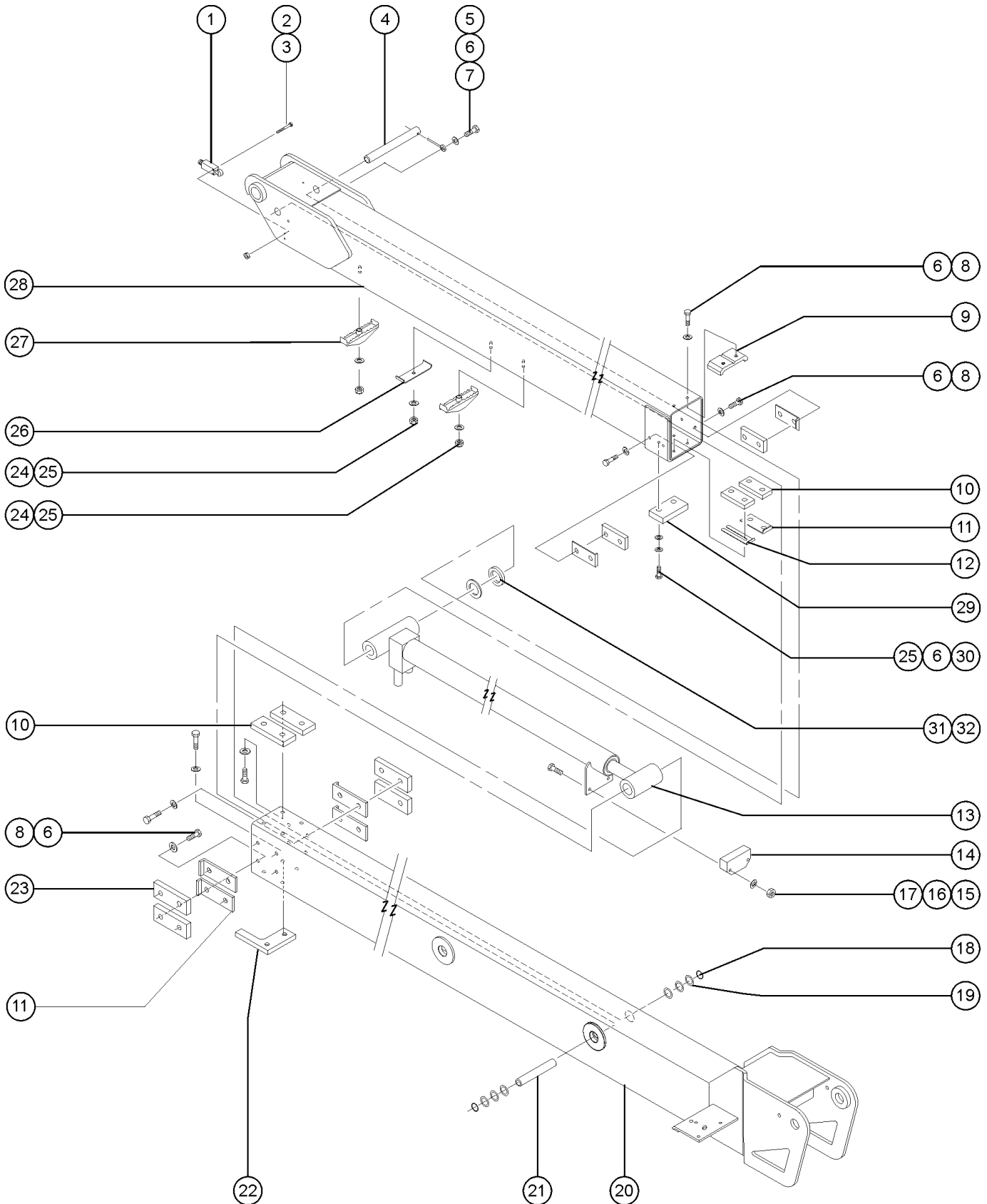
Item	Part No.	Description	Qty.
--	150103GT	WIRE LOOM,1.25"NYLON,HIGH TEMP.....103-inches	
1	88356 11103GT	SWITCH,LIMIT,W/RLR ARM,NO/NC**....1	
--	19491GT	CONTACTOR,LIMIT SWITCH	
--	97128GT	ROLLER ARM,LIMIT SWITCH***	
2	49775GT	SCREW,PHILLIPS,PHM,10-32X 1.75.....2	
3	6178GT	NUT,NYLOCK,10-32.....2	
4	50584GT	PIN,1.25DIAX9.38LG,THREADED.....1	
5	6019GT	SCREW,HHC,3/8-16 X 1.25 GRD 5.....5	
6	6021GT	WASHER,LOCK,.375.....28	
7	825019GT	ROD END,.375X3.69,ZAG.....1	
8	8255GT	SCREW,HHC,3/8-16 X .75.....14	
9	34125GT	WEAR PAD,5 X 1.5 X .75 W/NUTS.....9	
10	38620GT	SHIM,WEAR PAD,5 X 1.5,14GA.....6 1	
11	13918GT	SCREW,HHC,3/8-16 X 1.75,GRD.8.....2	
12	54570GT	CYLINDER,EXTEND,Z45 NON JIB.....1 <i>to SN 13339</i>	
--	52757GT	SEAL KIT,50699,50260,50321 CYL.....1 <i>for cylinder 50321</i>	
--	54063GT	VALVE,CB.CBBC-LHN@1000***.....1 <i>for cylinder 50321</i>	
--	54570GT	CYLINDER,EXTEND,Z45 NON JIB.....1 <i>from SN 13340</i>	
--	65788GT	SEAL KIT CYL Z45 (54570).....1	
--	77410GT	VALVE,COUNTERBALNCE,1500 PSI**.....1 <i>for cylinder 50321</i>	
13	50698GT	WEAR PAD,EXTENSION CYLINDER.....1	
14	6091GT	NUT,NYLOCK,1/4-20.....6	
15	6638GT	WASHER,FLAT,USS,1/4"Y.....6	
16	6637GT	SCREW,HHC,1/4-20 X 1.75.....2	
17	824164GT	SNAP RING,EXTERNAL,1.25,ZAG.....2	
18	30255GT	WASHER,SHIM,1.27 X 2.13 X .062.....4 1	
19	50315GT	EXTENSION BOOM WELDMNT,NON-JIB.....1	
20	50546GT	PIN,1.25DIAX6.36LG,2RING.....1	
21	50552GT	WEAR PAD,EXTENSION BOOM.....1	
22	29080GT	SHIM,WEAR PAD,5X 1.5 16GA.....4 1	
23	30138GT	WEAR PAD,5 X 1.5 X .625 W/NUTS.....4	
24	4828GT	NUT,NYLOCK,3/8-16.....3	
25	6097GT	WASHER,FLAT,USS,3/8",Y.....3	
26	54530GT	CLAMP,HOSE,ALUMINUM.....1	

Item	Part No.	Description	Qty.
27	77106GT	CLAMP,CABLE & HOSE,PLASTIC.....2	
28	52781GT	PRIMARY BOOM ASSY,STD,Z45/25.....1 <i>to SN 16999</i>	
28	65633GT	PRIMARY BOOM ASSY,STD,Z45/25**....1 <i>from SN 17000</i>	
29	29080GT	SHIM,WEAR PAD,5X 1.5 16GA.....as n e e d e d	
30	77375GT	SPACER,NYLON,2.01 X 1.28 X.135.....1	
31	77376GT	SPACER,NYLON,2.00 X 1.33 X.310.....1	

Footnotes

1: Quantity listed for this item is approximate. Actual quantity may vary to ensure proper fit.

605.1 Primary and Extension Booms - Jib Models



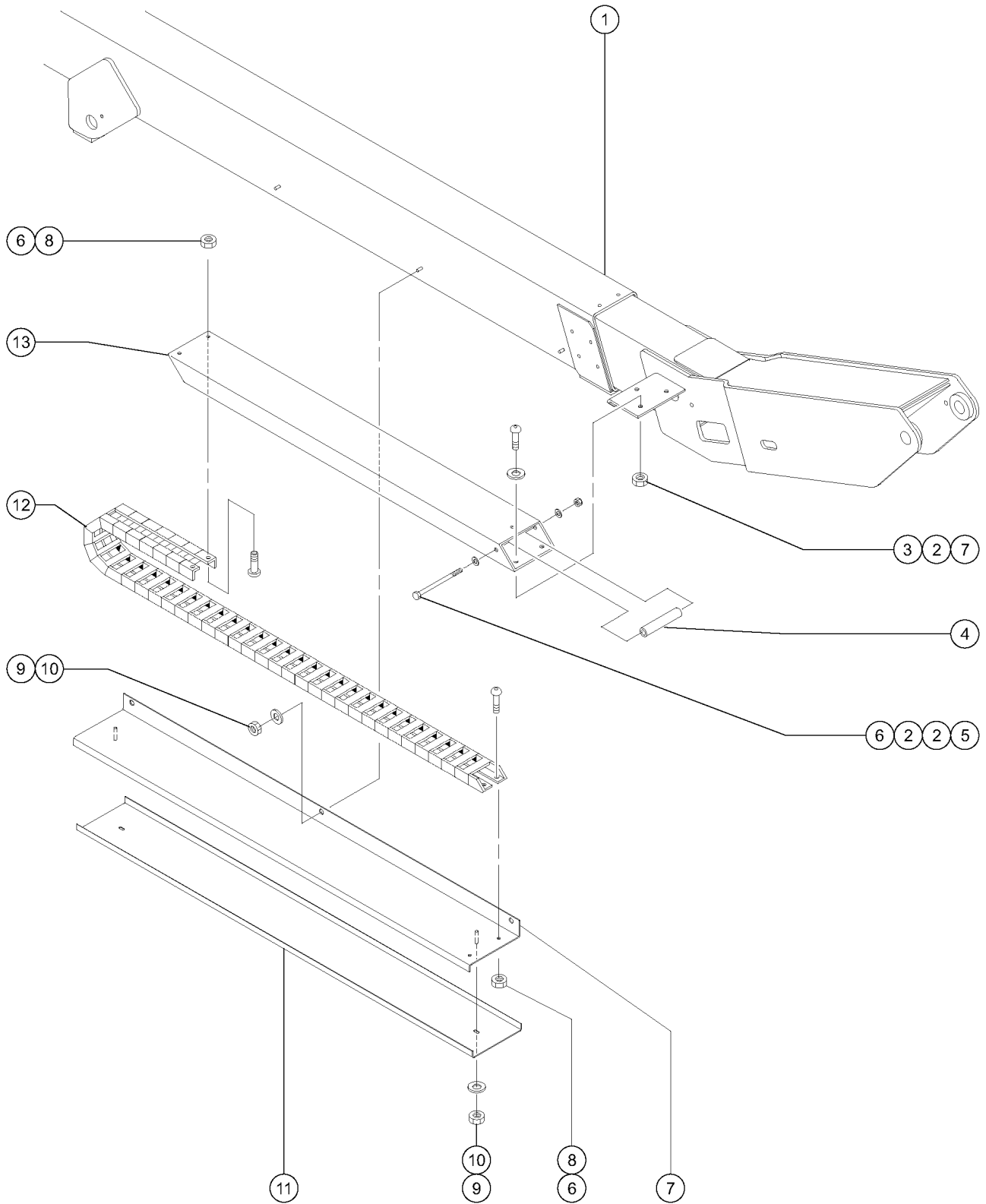
A TEREX BRAND

605.1 Primary and Extension Booms - Jib Models

Item	Part No.	Description	Qty.	Item	Part No.	Description	Qty.
--	150103GT	WIRE LOOM,1.25"NYLON,HIGH TEMP.....103-inches		27	77106GT	CLAMP,CABLE & HOSE,PLASTIC.....2	
1	88356-11103GT	SWITCH,LIMIT,W/RLR ARM,NO/NC**....1		28	52782GT	PRIMARY BOOM ASSY,JIB,Z45/25J.....1 <i>to SN 16999</i>	
--	19491GT	CONTACTOR,LIMIT SWITCH		28	65634GT	PRIMARY BOOM ASSY,JIB,Z45/25J.....1 <i>from SN 17000</i>	
--	97128GT	ROLLER ARM,LIMIT SWITCH***		29	54157GT	WEAR PAD,PRIMARY BOOM,JIB.....1	
2	49775GT	SCREW,PHILLIPS,PHM,10-32X 1.75.....1		30	8516GT	SCREW, HCC, 3/8-16 X 1.50.....2	
3	6178GT	NUT,NYLOCK,10-32.....1		31	77375GT	SPACER,NYLON,2.01 X 1.28 X.135.....1	
4	50584GT	PIN,1.25DIAX9.38LG,THREADED.....1		32	77376GT	SPACER,NYLON,2.00 X 1.33 X.310.....1	
5	6019GT	SCREW,HHC,3/8-16 X 1.25 GRD 5.....5		Footnotes			
6	6021GT	WASHER,LOCK,.375.....21		1: Quantity listed for this item is approximate. Actual quantity may vary to ensure proper fit.			
7	825019GT	ROD END,.375X3.69,ZAG.....1					
8	8255GT	SCREW,HHC,3/8-16 X .75.....14					
9	54131GT	WEAR PAD,PRIMARY BOOM,TOP 6.25X1.5X1.13.....1					
10	34125GT	WEAR PAD,5 X 1.5 X .75 W/NUTS.....6					
11	38620GT	SHIM,WEAR PAD,5 X 1.5,14GA.....4 1					
12	29080GT	SHIM,WEAR PAD,5X 1.5 16GA.....4 1					
13	54569GT	CYLINDER,EXTEND,Z45J***.....1 <i>to SN 13339</i>					
--	52757GT	SEAL KIT,50699,50260,50321 CYL.....1 <i>for cylinder 50260</i>					
--	54063GT	VALVE,CB.CBBC-LHN@1000***.....1 <i>for cylinder 50260</i>					
--	54569GT	CYLINDER,EXTEND,Z45J***.....1 <i>from SN 13340</i>					
--	65790GT	SEAL KIT CYL.Z45(54569).....1					
--	77410GT	VALVE,COUNTERBALNCE,1500 PSI**.....1 <i>for cylinder 50260</i>					
14	50698GT	WEAR PAD,EXTENSION CYLINDER....1					
15	6091GT	NUT,NYLOCK,1/4-20.....2					
16	6638GT	WASHER,FLAT,USS,1/4"Y.....2					
17	6637GT	SCREW,HHC,1/4-20 X 1.75.....2					
18	824164GT	SNAP RING,EXTERNAL,1.25,ZAG.....2					
19	30255GT	WASHER,SHIM,1.27 X 2.13 X .062.....8 1					
20	50304GT	EXTENSION BOOM WELDMNT,JIB,Z45.....1					
21	50546GT	PIN,1.25DIAX6.36LG,2RING.....2					
22	50552GT	WEAR PAD,EXTENSION BOOM.....1					
23	30138GT	WEAR PAD,5 X 1.5 X .625 W/NUTS.....4					
24	4828GT	NUT,NYLOCK,3/8-16.....3					
25	6097GT	WASHER,FLAT,USS,3/8",Y.....5					
26	54530GT	CLAMP,HOSE,ALUMINUM.....1					



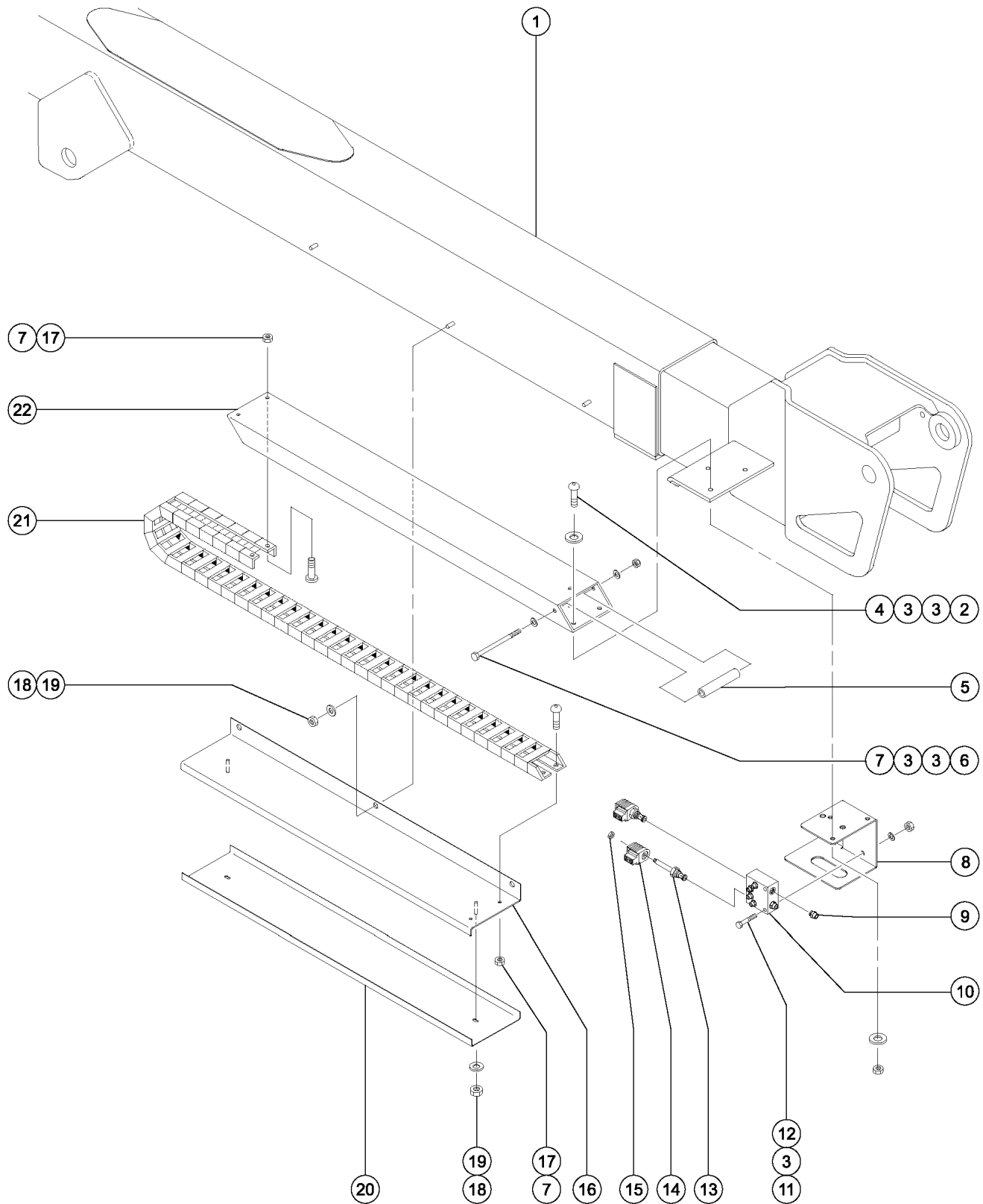
606.1 Cable Track Installation - Non-Jib Models



606.1 Cable Track Installation - Non-Jib Models

Item	Part No.	Description	Qty.
1		Ref. Primary Boom Tube Assembly (refer to Figure 6-D)	
2	6638GT	WASHER,FLAT,USS,1/4"Y.....	8
3	54830GT	SCREW,BHSC,1/4-20 X .88,Y/ZINC.....	3
4	48751-463GT	HOSE,1/4" HIGH PRESSURE,4.63LG.....	11
5	77036GT	SCREW,HHC,1/4-20 X 5.50,G5,CLZ.....	1
6	6091GT	NUT,NYLOCK,1/4-20.....	8
7	54981GT	WELDMENT,CABLE TRACK TRAY,NJIB..... <i>from SN 17000</i>	1
8	12011GT	SCREW,BHHS,1/4-20 X .5,Y/ZINC.....	4
9	7713GT	NUT, LP NYLOCK, 3/8-16.....	4
10	5397GT	WASHER,FLAT,USS,5/16",Y.....	4
11	50748PGT	CHANNEL,CABLE TRACK COV,NONJ,P..... <i>to SN 16999</i>	1
11	54985PGT	CHANNEL,CABLE TRACK COV,NONJ,P..... <i>from SN 17000</i>	1
12	50452GT	CABLE TRACK,PLASTIC,35 LINK..... <i>(Z-45/25)</i>	1
--	58919GT	REPAIR LINK,7 LINKS***.....	1
--	58920GT	REPAIR LINK END SET (42763)*.....	1
--	58927GT	LINK,NYLATRAC KS6-5.4***.....	1
13	50747GT	TUBE,CABLE TRACK ARM,NON-JIB..... <i>to SN 15015</i>	1
13	54460GT	TUBE,CABLE TRACK ARM NON-JIB..... <i>from SN 15016</i>	1

607.1 Cable Track Installation - Jib Models



607.1 Cable Track Installation - Jib Models

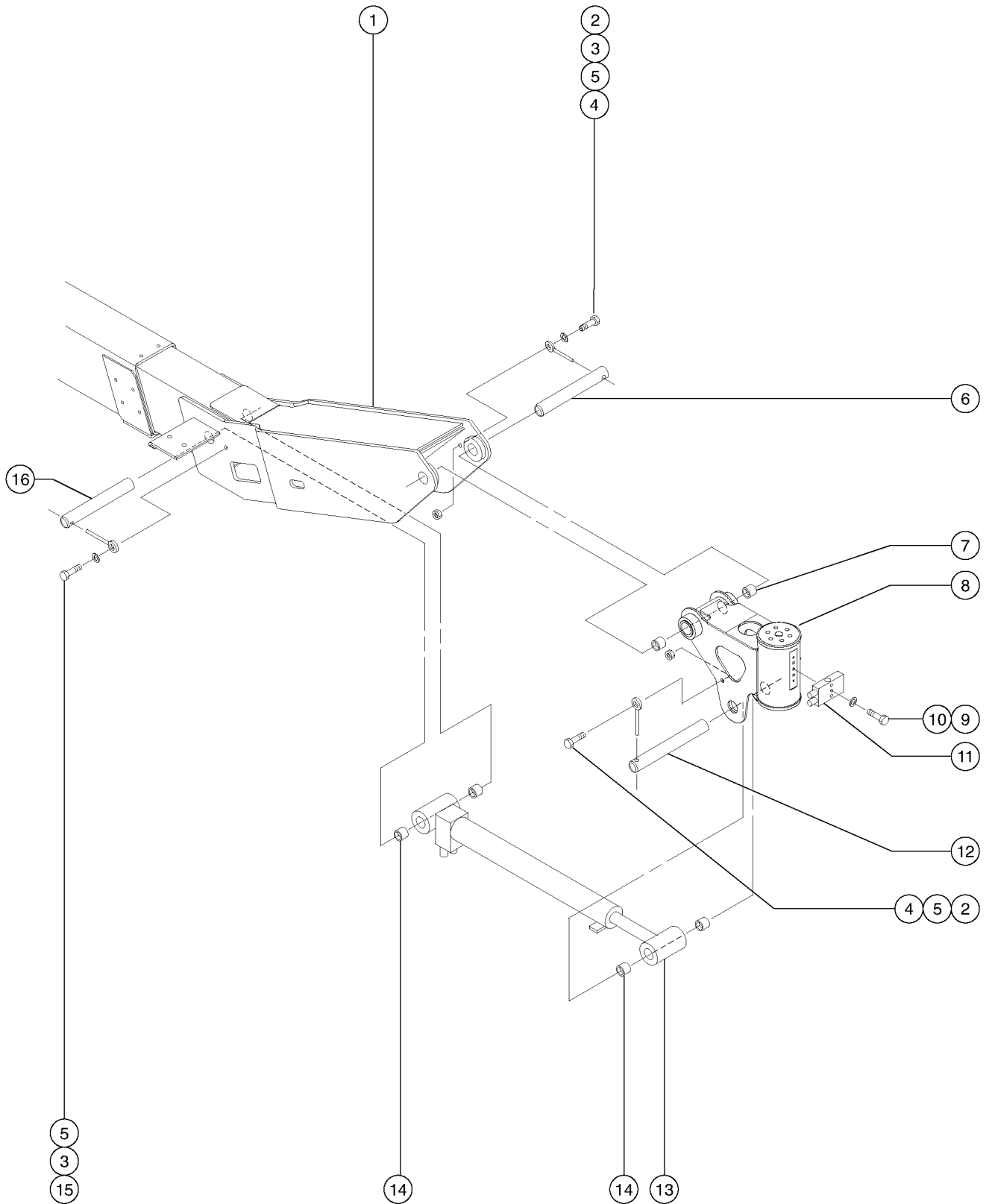
Item	Part No.	Description	Qty.
1		Ref. Primary Boom Tube Assembly (refer to Figure 6-E)	
2	54830GT	SCREW,BHSC,1/4-20 X .88,Y/ZINC.....3	
3	6638GT	WASHER,FLAT,USS,1/4"Y.....10 1	
4	18504GT	NUT,LOCKING-LG.FLANGE,1/4-20.....3	
5	48751-463GT	HOSE,1/4" HIGH PRESSURE,4.63LG....1	
6	77036GT	SCREW,HHC,1/4-20 X 5.50,G5,CLZ.....1	
7	6091GT	NUT,NYLOCK,1/4-20.....5	
8	60032PGT	BRACKET,MANIFOLD,JIB,PAINTED.....1 to SN 19756	
9	48905GT	CONN,520120-4***6 to SN 19756	
10		Ref. Manifold - Jib Boom/Platform Rotate (refer to Figure 6-J).....1 from SN 19757	
10	50692GT	MANIFOLD,JIB,ROTATE 10V.....1 includes index number 13; to SN 16933	
10	77008GT	MANIFOLD,JIB,ROTATE 10V,W/FITT includes index number 13; from SN 16934 to SN 19756	
11	6884GT	SCREW,HHC,1/4-20 X 2.5.....2 to SN 19756	
12	6889GT	NUT,LP NYLOCK,1/4-20.....2 to SN 19756	
13	65766GT	VALVE,SOLENOID,10V W/DIODE***2 includes index numbers 14 and 15; to SN 16933	
13	83005GT	VALVE, SOLENOID (73616)-SHORT.....1 includes index numbers 14 and 15; from SN 16934	
13	83006GT	VALVE, SOLENOID (73616)-LONG**1 includes index numbers 14 and 15; from SN 16934	
14	43601GT	COIL,SOLENOID VLV,10V W/ DIODE.....2 to SN 16933	
14	81043GT	COIL,SOLENOID,8 DSD 10V,W/DIO*2 from SN 16934	
15	45912GT	NUT,SOLENOID VALVE 2P3W.....1 from SN 16934	
15	52943GT	NUT,SOLENOID VALVE COIL.....1 from SN 16934	
16	50750GT	WELDMENT,CABLE TRACK TRAY,J.....1 to SN 16999	
16	54983GT	WLDMNT,CABLE TRACK TRAY,JIB.....1 from SN 17000	
17	12011GT	SCREW,BHHS,1/4-20 X .5,Y/ZINC.....4	
18	7713GT	NUT, LP NYLOCK, 3/8-16.....4	
19	5397GT	WASHER,FLAT,USS,5/16",Y.....4	
20	50487PGT	CHANNEL,CABLE TRK COVER,JIB,.....1 to SN 16999	

Item	Part No.	Description	Qty.
20	54984PGT	CHANNEL,CABLE TRK COVER,JIB,PA.....1 from SN 17000	
21	50451GT	CABLE TRACK,PLASTIC,26 LINK*1 (Z-45/25J)	
--	58919GT	REPAIR LINK,7 LINKS***1	
--	58920GT	REPAIR LINK END SET (42763)*1	
--	58927GT	LINK,NYLATRAC KS6-5.4***1	
22	50743GT	TUBE,CABLE TRACK ARM,JIB.....1 to SN 15006	
22	54461GT	TUBE,CABLE TRACK ARM,JIB.....1 from SN 15007	

Footnotes

1: Quantity listed for this item is approximate. Actual quantity may vary to ensure proper fit.

608.1 Platform Leveling and Rotation - Non-Jib Models

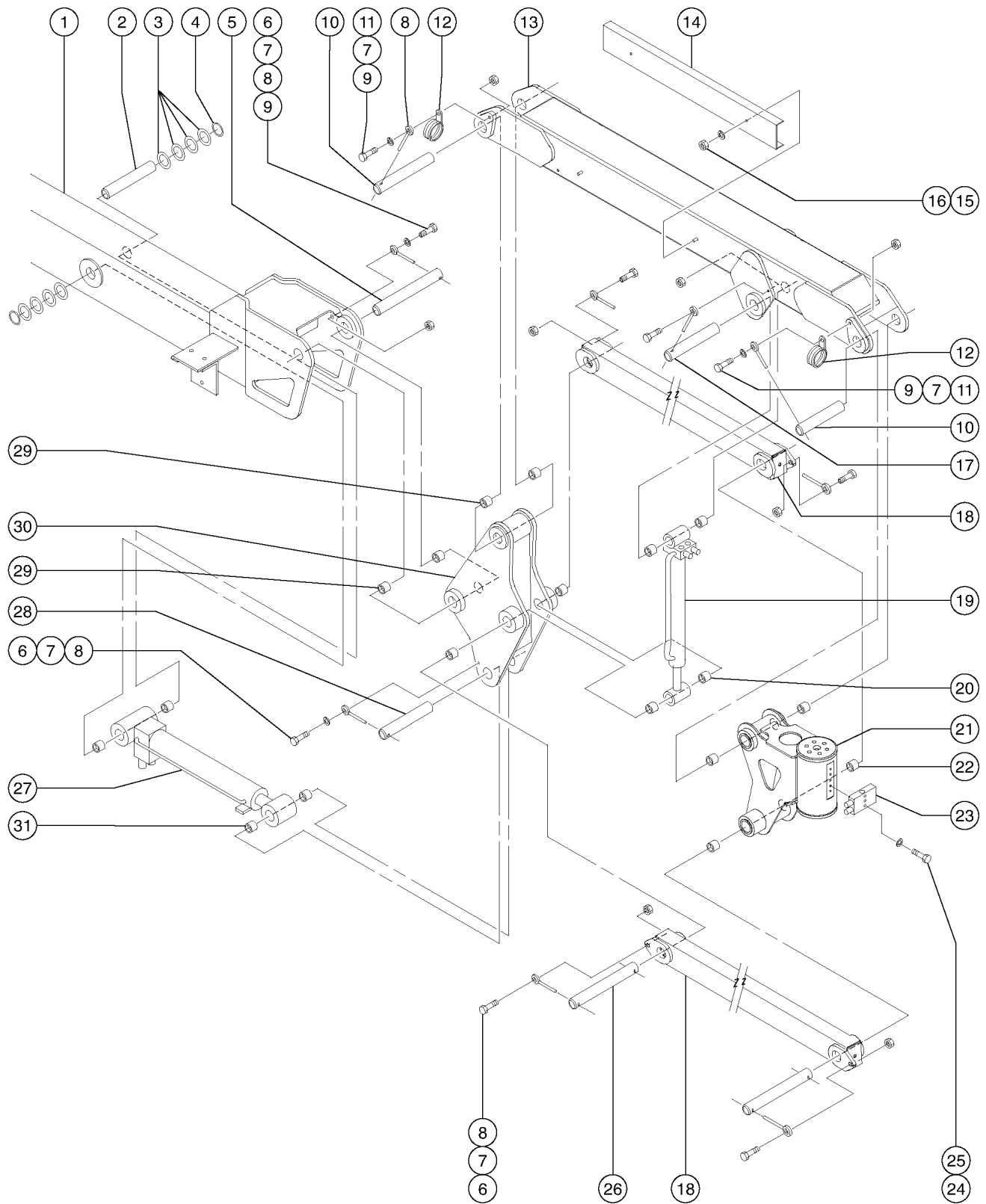


608.1 Platform Leveling and Rotation - Non-Jib Models

Item	Part No.	Description	Qty.	Item	Part No.	Description	Qty.
--	150103GT	WIRE LOOM,1.25"NYLON,HIGH TEMP.....103-inches		13	54065GT	VALVE,COUNTERBALANCE,3500***.....1	
1		Ref. Primary Extension Boom Tube (refer to Figure 6-D)		13	77363GT	CYLINDER,SLAVE,Z45***.....1 <i>includes index number 14; from SN 19868</i>	
2	8516GT	SCREW, HCC, 3/8-16 X 1.50.....1		13	77364GT	SEAL KIT,MASTER & SLAVE CYL.....1	
3	5397GT	WASHER,FLAT,USS,5/16",Y.....1		14	25683GT	BEARING,POLYGON,20DU12.....4 <i>from SN 19868</i>	
4	4828GT	NUT,NYLOCK,3/8-16.....2		14	47377GT	BEARING,1.25 ID X 1.5 OD X .75.....4 <i>to SN 19867</i>	
5	825019GT	ROD END,.375X3.69,ZAG.....3		15	6175GT	SCREW,HHC,3/8-16 X 1.....1	
6	50543GT	PIN,1.25DIAX8.88LG,1HOLE.....1		16	T107884GT	PIN,1.25DIAX7.00LG,1HOLE.....1	
7	30219GT	BEARING,FL,1.25ID X 1.41OD X 1.....2		24	6638GT	WASHER,FLAT,USS,1/4"Y	
8A	50457GT	ROTATOR,PLAT,NON/JIB,Z45/25.....1 <i>includes 2 each of index number 7; to SN 16961 (limited inventory; component no longer available)</i>		25	6091GT	NUT,NYLOCK,1/4-20	
--	13852GT	VALVE ASSY,BLEED***					
--	31498GT	BEARING KIT,ROTATOR,9K***					
--	65842GT	SEAL KIT,UNIVERSAL,9K ROTATOR* <i>for 50457</i>					
8B	233716GT	ROTATOR,PLAT,Z45.....1 <i>includes 2 each of index number 7; from SN 16962; non-jib units</i>					
--	13852GT	VALVE ASSY,BLEED***					
--	147369GT	SEAL AND BRG KIT,4.5K ROTATOR* <i>for rotator 94402 (no longer available)</i>					
--	233745GT	SEAL AND BRG KIT,4.5K ROTATOR <i>for rotator 233716</i>					
--	62509GT	SEAL KIT,ROTATOR*** <i>for rotator 54808 (no longer available)</i>					
--	83042GT	BEARING KIT,ROTATOR,4.5K***					
9	6145GT	SCREW,HHC,1/4-20 X 1.5.....3					
10	6356GT	WASHER,LOCK,.25.....3					
11	39345GT	VALVE,COUNTERBAL.CBCA-LHN@3000.1					
11	43018GT	SEAL KIT (39345).....1					
11	43166GT	MANIFOLD,ASSY DUAL CNTRBAL.....1 <i>to SN 15944</i>					
11	56929GT	MANIFOLD,ROTATOR,180 DEG.***.....1 <i>from SN 15945 to SN 19756</i>					
11	62506GT	VALVE - COUNTERBALANCE**.....1					
11	62507GT	O-RING, ROTATOR MANIFOLD.....1					
11	73807GT	MANIFOLD,ROTATOR,CB***.....1 <i>from SN 19757</i>					
12	T108075GT	PIN,1.25DIAX5.25LG,1HOLE.....1					
13	139599GT	KIT,CYLINDER REPLACEMENT,Z-45*...1 <i>upgrade service kit required for first-time replacement (includes item 14 and both the master and slave cylinders); after first-time replacement, refer to 77363 below; to SN 19867</i>					
13	52745GT	SEAL KIT,50337,50353 CYLINDER.....1 <i>for cylinder 50353</i>					



609.1 Platform Leveling and Rotation - View 1 - Jib Models



609.1 Platform Leveling and Rotation - View 1 - Jib Models

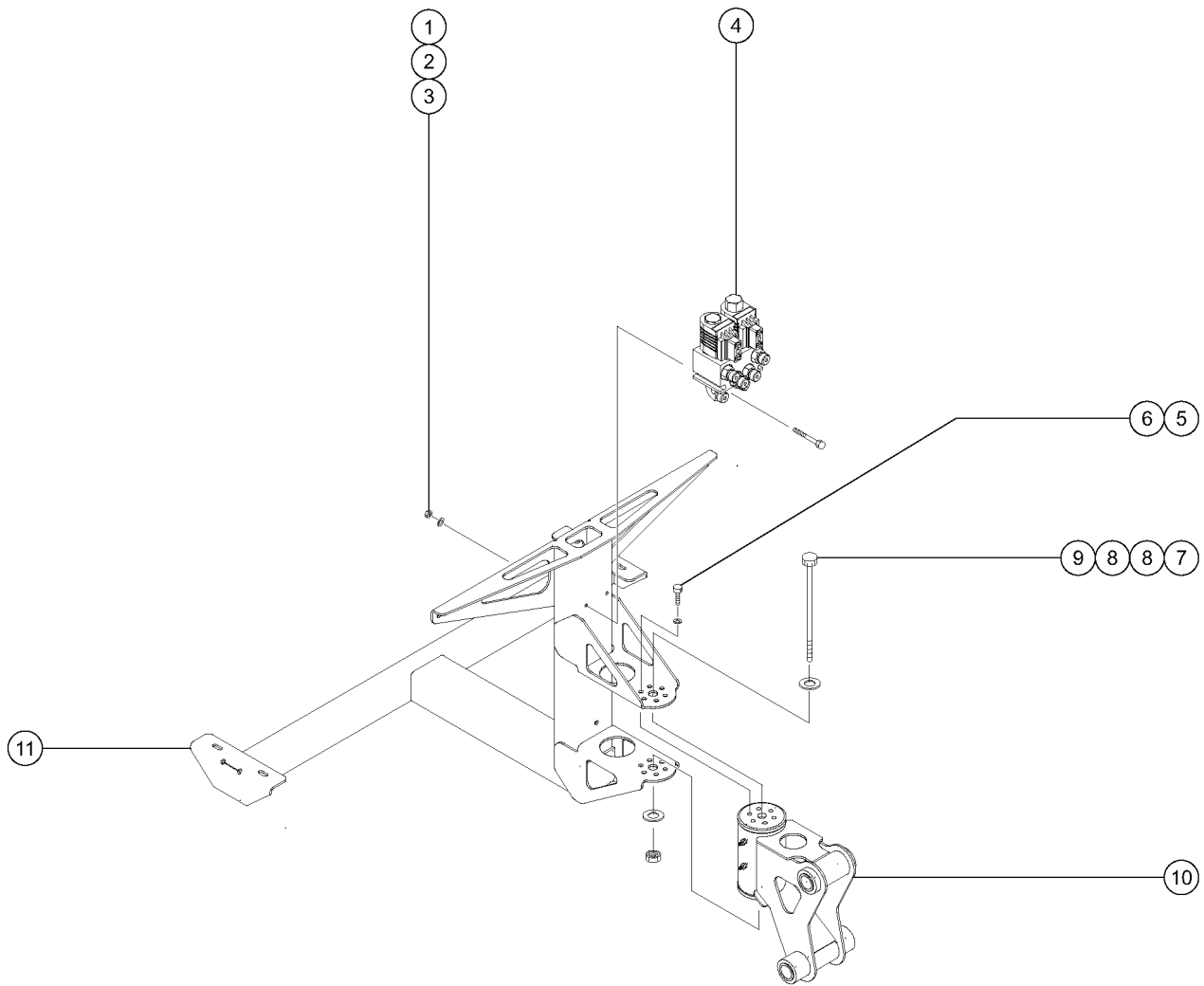
Item	Part No.	Description	Qty.	Item	Part No.	Description	Qty.
--	150103GT	WIRE LOOM,1.25"NYLON,HIGH TEMP.....103-inches		--	31498GT	BEARING KIT,ROTATOR,9K***.....1	
1		Ref. Primary and Extension Booms (refer to Figure 6-E)		--	65842GT	SEAL KIT,UNIVERSAL,9K ROTATOR*....1	
2	50546GT	PIN,1.25DIAX6.36LG,2RING.....1		21B	233715GT	ROTATOR,PLAT,Z45J/Z51J.....1 <i>includes 2 each of index number 7; from SN 16935</i>	
3	30255GT	WASHER,SHIM,1.27 X 2.13 X .062.....8 1		--	13852GT	VALVE ASSY,BLEED***.....1	
4	824164GT	SNAP RING,EXTERNAL,1.25,ZAG.....2		--	147369GT	SEAL AND BRG KIT,4.5K ROTATOR* <i>for rotator 94401 (no longer available)</i>	
5	50543GT	PIN,1.25DIAX8.88LG,1HOLE.....2		--	233745GT	SEAL AND BRG KIT,4.5K ROTATOR.....1 <i>for rotator 233715</i>	
6	6019GT	SCREW,HHC,3/8-16 X 1.25 GRD 5.....7		--	62509GT	SEAL KIT,ROTATOR*** <i>for rotator 54368 (no longer available)</i>	
7	5397GT	WASHER,FLAT,USS,5/16",Y.....2		--	83042GT	BEARING KIT,ROTATOR,4.5K***.....1	
8	825019GT	ROD END,.375X3.69,ZAG.....9		22	30222GT	BEARING,FL,1.25IDX1.41ODX1.50L.....4	
9	4828GT	NUT,NYLOCK,3/8-16.....9		23	39345GT	VALVE,COUNTERBAL,CBCA-LHN@3000.1	
10	T107883GT	PIN,1.25DIAX7.88LG,1HOLE.....2		23	43018GT	SEAL KIT (39345).....1	
11	8516GT	SCREW, HCC, 3/8-16 X 1.50.....2		23	43166GT	MANIFOLD,ASSY DUAL CNTRBAL.....1 <i>to SN 15944</i>	
12	27497GT	CLAMP,RUBBER CUSHIONED-2 5/32....2		23	56929GT	MANIFOLD,ROTATOR,180 DEG.***.....1 <i>from SN 15945 to SN 19756</i>	
13		SERVICE KIT, 5FT JIB.....1 <i>refer to section 613.1 for jib detail</i>		23	62506GT	VALVE - COUNTERBALANCE**.....1	
14	54527-SGT	CABLE COVER,JIB***.....1		23	62507GT	O-RING, ROTATOR MANIFOLD.....1	
15	6091GT	NUT,NYLOCK,1/4-20.....2		23	73807GT	MANIFOLD,ROTATOR,CB***.....1 <i>from SN 19757</i>	
16	6638GT	WASHER,FLAT,USS,1/4"Y.....2		24	8915GT	SCREW,HHC,1/4-20 X 1.25.....3	
17	T107884GT	PIN,1.25DIAX7.00LG,1HOLE.....1		25	6356GT	WASHER,LOCK,.25.....3	
18	61306-SGT	COMPR.LINK,MACHINED,GND CONTR*.....2		26	81175GT	PIN,1.25DIAX14.45LG,2HOLE.....2	
19A	54994GT	CYLINDER,JIB,Z45,#4 PORTS***.....1 <i>includes index number 20; to SN 17697</i>		27	139599GT	KIT,CYLINDER REPLACEMENT,Z-45*....1 <i>upgrade service kit required for first-time replacement (includes item 31 and both the master and slave cylinders); after first-time replacement, refer to 77363 below; to SN 19867</i>	
--	50480GT	VALVE,COUNTERBALANCE,3800 PSI*.....1		27	52745GT	SEAL KIT,50337,50353 CYLINDER.....1	
--	52757GT	SEAL KIT,50699,50260,50321 CYL.....1 <i>for 50699, 50260, 50321</i>		27	54065GT	VALVE,COUNTERBALANCE,3500***.....1	
--	65789GT	SEAL KIT (54994).....1 <i>for 54568, 54994</i>		27	77363GT	CYLINDER,SLAVE,Z45***.....1 <i>includes index number 31; from SN 19868</i>	
19B	54994GT	CYLINDER,JIB,Z45,#4 PORTS***.....1 <i>includes index number 20; from SN 17698</i>		27	77364GT	SEAL KIT,MASTER & SLAVE CYL.....1	
--	147283GT	SEAL KIT,147259 <i>for 147259</i>		28	T108075GT	PIN,1.25DIAX5.25LG,1HOLE.....1	
--	43018GT	SEAL KIT (39345) <i>for 50480</i>		29	34245GT	BEARING,1.25IDX1.50X1.25L.....6	
--	50480GT	VALVE,COUNTERBALANCE,3800 PSI*.....1		30	50466-SGT	BELLCRANK,JIB,WELD/Z45/25***.....1 <i>includes index number 29</i>	
--	65789GT	SEAL KIT (54994).....1 <i>for 54994</i>		31	25683GT	BEARING,POLYGON,20DU12.....4 <i>from SN 19868</i>	
20	25683GT	BEARING,POLYGON,20DU12.....4		31	47377GT	BEARING,1.25 ID X 1.5 OD X .75.....4 <i>to SN 19867</i>	
21A	50676GT	ROTATOR,PLAT,JIB,Z45/25J***.....1 <i>includes index number 22; to SN 16934 (limited inventory; component no longer available)</i>					
--	13852GT	VALVE ASSY,BLEED***.....1					

Footnotes

1: Quantity listed for this item is approximate. Actual quantity may vary to ensure proper fit.






610.1 Platform Leveling and Rotation - View 2 - Jib Models

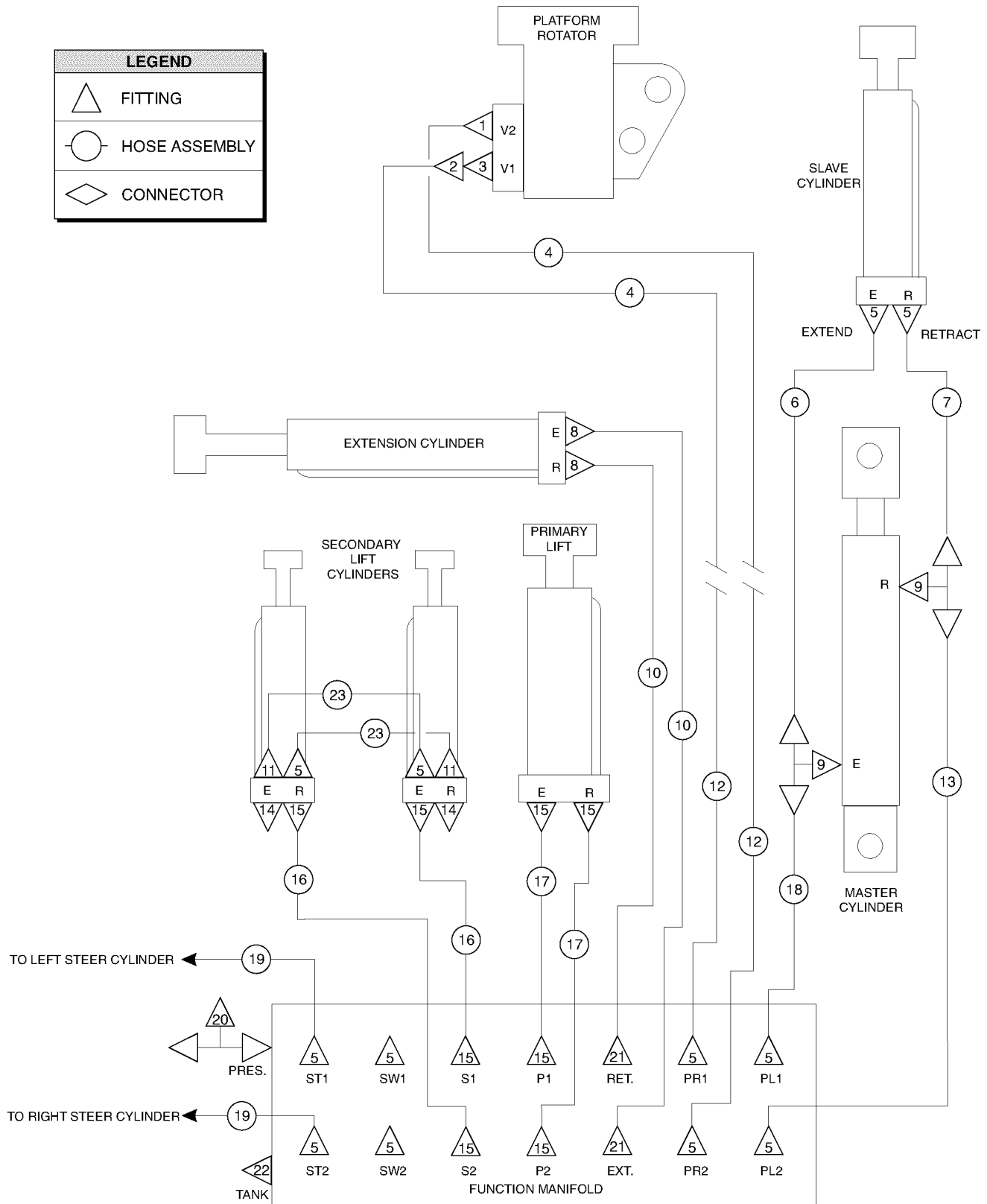


610.1 Platform Leveling and Rotation - View 2 - Jib Models

Item	Part No.	Description	Qty.
1	6091GT	NUT,NYLOCK,1/4-20.....2 <i>from SN 19757</i>	2
2	6638GT	WASHER,FLAT,USS,1/4"Y.....2 <i>from SN 19757</i>	2
3	36294GT	SCREW,HHC,1/4-20 X 2.75.....2 <i>from SN 19757</i>	2
4A	54701GT	MANIFOLD,JIB,ROTATE 10V,W/FITT.....1 <i>to SN 16934</i>	1
4B	77008GT	MANIFOLD,JIB,ROTATE 10V,W/FITT.....1 <i>from SN 16935 to 19756</i>	1
4C	77250GT	MANIFOLD,JIB,ROTATE 10V,W/FIT*.....1 <i>from SN 19757</i>	1
--	45912GT	NUT,SOLENOID VALVE 2P3W.....1 <i>from SN 19757</i>	1
--	52943GT	NUT,SOLENOID VALVE COIL.....1 <i>from SN 19757</i>	1
--	81043GT	COIL,SOLENOID,8 DSD 10V,W/DIO*.....1 <i>from SN 19757</i>	1
--	83005GT	VALVE, SOLENOID (73616)-SHORT.....1 <i>from SN 19757</i>	1
--	83006GT	VALVE, SOLENOID (73616)-LONG**.....1 <i>from SN 19757</i>	1
5	77692GT	SCREW,HHC,3/8-16 X 1 GRD 8.....6 <i>from SN 19757</i>	6
6	6021GT	WASHER,LOCK,,375.....6 <i>from SN 19757</i>	6
7	56925GT	SCREW,HHC,3/4-10 X 9.5 GR 8 YE.....1 <i>from SN 19757</i>	1
8	33278GT	WASHER,FLAT,.75 HARDENED.....2 <i>from SN 19757</i>	2
9	77051GT	NUT,NYLOCK,3/4-10,GRD.8.....1 <i>from SN 19757</i>	1
10	13852GT	VALVE ASSY,BLEED***.....1 <i>from SN 19757</i>	1
10	30219GT	BEARING,FL,1.25ID X 1.41OD X 1.....1 <i>from SN 19757</i>	1
10	54368GT	ROTATOR,PLAT,JIB,Z45/25J.....1 <i>from SN 19757</i>	1
11	54510-SGT	WELDMENT,PLATFORM SUPPORT.....1 <i>from SN 19757</i>	1

611.1 Hydraulic Hoses and Fittings - Non-Jib Models

LEGEND	
	FITTING
	HOSE ASSEMBLY
	CONNECTOR



611.1 Hydraulic Hoses and Fittings - Non-Jib Models

Item	Part No.	Description	Qty.
--	49612GT	O-RING KIT (ORFS FITTINGS)	
--	49613GT	PLUG AND CAP KIT-SERVICE,ORFS*	
1	48907GT	ELBOW,45D,520320-4.....	1
2	54132GT	ELBOW,SWIVEL 90D, 520221-4.....	1
3	48904GT	ELBOW,90D,520220-4-4.....	2
4	49121-2568GT	HOSE ASSY 1/4,STR FEM,STR MALE... 1	2
5	48912GT	CONN,520120-4-6***.....	12
6	49119-26478GT	HOSE ASSY,1/4,STR FEM,STR FEM.... 2	1
7	49119-27978GT	HOSE ASSY,1/4,STR FEM,STR FEMM..... 2	1
8	48917GT	CONN,LONG,520122-6.....	2
9	48890GT	FITTING,TEE,BRANCH,520429-4***	2
10	49105-3662SGT	HOSE ASSY,3/8"100R2,FEM/FEM***	2
		3 to SN 14337	
10	49120-35381GT	HOSE ASSY 1/4, STR FEM,STR FEM.... 4 from SN 19715	2
10	54740-3664SGT	HOSE ASSY,1/4"100R1,STR F,STRF..... 5 from SN 14338 to SN 19714	2
11	48918GT	TEE,RUN,520428-6.....	2
11	83020GT	COUPLER,090136, 4-6 adapter fitting as needed	
12	49119-39378GT	HOSE ASSY,1/4,STR FEM,STR FEM.... 5	2
13	49119-36178GT	HOSE ASSY,1/4,STR FEM,STR FEM.... 5	1
14	48923GT	PLUG,090109A-6.....	2
15	48916GT	CONN, 520120-6.....	8
16	49119-16178GT	HOSE ASSY,1/4,STR FEM,STR FEM.... 5 from SN 19715	2
16	49120-16181GT	HOSE ASSY,FMANIF/SECONDARYCYL..... 5 to SN 19714	2
17	49119-38578GT	HOSE ASSY,1/4,STR FEM,STR FEM.... 5 from SN 19887	2
17	54740-38584GT	HOSE ASSY,P1&P2/PRIMARY CYL..... 5 to SN 19886	2
18	49119-37678GT	HOSE ASSY,1/4,STR FEM,STR FEM.... 5	1
19	49117-14391GT	HOSE ASSY,1/4,90 FEM,STR FEM..... 6	2

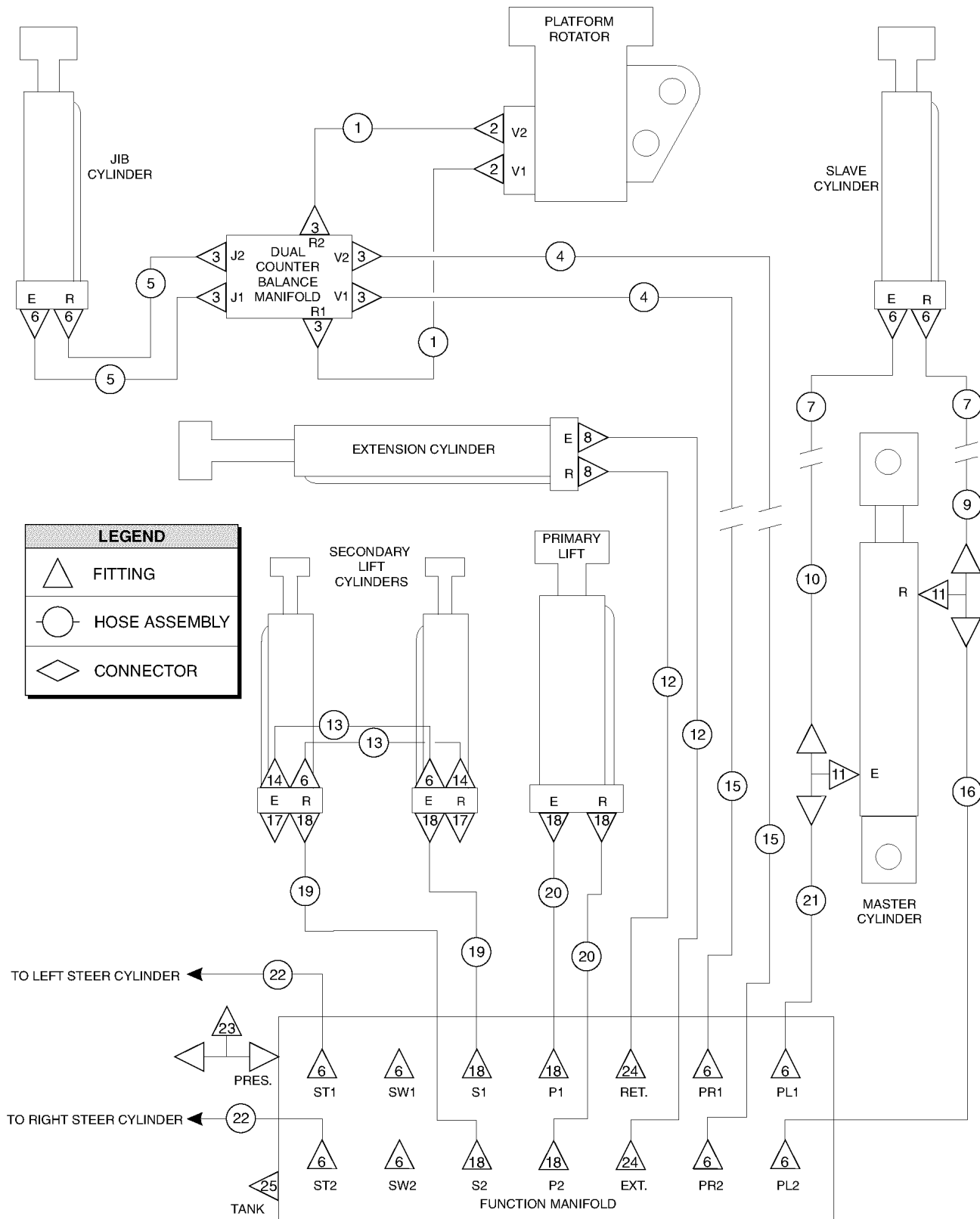
Item	Part No.	Description	Qty.
20	48935GT	TEE,RUN,520428-8.....	1
21	48930GT	CONN,520120-6-8.....	2
22	48933GT	CONN,520120-8***.....	1
23	49119-1278GT	HOSE ASSY,1/4,STR FEM,STR FEM.... 6 to SN 18770	2
23	49119-2278GT	HOSE ASSY,1/4,STR FEM,STR FEM.... 6 from SN 18771	2

Footnotes

- 1:** Hose End - Female, Swivel, ORFS (Parker No. 1JC43-4), Hose End - Male, ORFS (Parker No. 1JO43-4) and Hose, 1/4 inch (Parker No. 481TC-4)
- 2:** Hose End - Female, Swivel, ORFS (Parker No. 1JC43-4), Hose End - Female, Swivel, ORFS (Parker No. 1JC43-4) and Hose, 1/4 inch (Parker No. 481TC-4)
- 3:** Hose End - Female, Swivel, ORFS (Parker No. 1JC43-6), Hose End - Female, Swivel, ORFS (Parker No. 1JC43-6) and Hose, 3/8 inch (Parker No. 381-6)
- 4:** Hose End - Female, Swivel, ORFS (Parker No. 1JC43-4), Hose End - Female, Swivel, ORFS (Parker No. 1JC43-6-4) and Hose, 1/4 inch (Parker No. 481TC-4)
- 5:** Hose End - Female, Swivel, ORFS (Parker No. 1JC43-6-4), Hose End - Female, Swivel, ORFS (Parker No. 1JC43-6-4) and Hose, 1/4 inch (Parker No. 481TC-4)
- 6:** Hose End - Female, Swivel, ORFS (Parker No. 1JC43-4), Hose End - Female, Swivel, 90°, ORFS (Parker No. 1J943-4) and Hose, 1/4 inch (Parker No. 481TC-4)



612.1 Hydraulic Hoses and Fittings - Jib Models



612.1 Hydraulic Hoses and Fittings - Jib Models

Item	Part No.	Description	Qty.	Item	Part No.	Description	Qty.
--	49612GT	O-RING KIT (ORFS FITTINGS)		16	49119-36178GT	HOSE ASSY,1/4,STR FEM,STR FEM.....1 6 SAE-4 both ends	
--	49613GT	PLUG AND CAP KIT-SERVICE,ORFS*		16	540733981SGT	HOSE ASSY,1/4",100R1,FEM/FEM**1 6 SAE-4 one end; SAE-6 opposite end	
1	49117-10191GT	HOSE ASSY,1/4,90 FEM,STR FEM.....2 1 to SN 19756		17	48923GT	PLUG,090109A-6.....2	
1	49119-2078GT	HOSE ASSY,1/4,STR FEM,STR FEM*....2 2 from SN 19757		18	48916GT	CONN, 520120-6.....8	
2	48904GT	ELBOW,90D,520220-4-4.....2		19	49119-16178GT	HOSE ASSY,1/4,STR FEM,STR FEM.....2 6 from SN 19715	
3	48905GT	CONN,520120-4***.....6		19	49120-16181GT	HOSE ASSY,FMANIF/SECONDARYCYL.....2 6 to SN 19714	
4	49121-18588GT	HOSE ASSY,D.CB MAN/F.MAN.JUNCT.....2 3 to SN 19756		20	49119-38578GT	HOSE ASSY,1/4,STR FEM,STR FEM.....2 6 from SN 19887	
4	49121-27788GT	HOSE ASSY 1/4,STR FEM,STR MALE..2 3 to SN 19757		20	54740-38584GT	HOSE ASSY,P1&P2/PRIMARY CYL.....2 6 to SN 19886	
5	49117-9091GT	HOSE ASSY,1/4,90 FEM,STR FEM.....2 3 to SN 19756		21	49119-37678GT	HOSE ASSY,1/4,STR FEM,STR FEM.....1 6 SAE-4 both ends	
5	49119-3778GT	HOSE ASSY,1/4,STR FEM,STR FEM.....2 3 from SN 19757		21	540733481SGT	HOSE ASSY,1/4",100R1,FEM/FEM**1 6 SAE-4 one end; SAE-6 opposite end	
6	48912GT	CONN,520120-4-6***.....14		22	49117-14391GT	HOSE ASSY,1/4,90 FEM,STR FEM.....2 6	
7	49121-2088GT	HOSE ASSY 1/4,STR FEM,STR MALE..2 3		23	48935GT	TEE,RUN,520428-8.....1	
8	48917GT	CONN,LONG,520122-6.....2		24	48930GT	CONN,520120-6-8.....2	
9	49119-23478GT	HOSE ASSY,1/4,STR FEM,STR FEM.....1 3 from SN 17348		25	48933GT	CONN,520120-8***.....1	
9	49120-23481GT	HOSE ASSY,SLAVE/MASTER CYL "R".....1 4 to SN 17347					
10	49119-21978GT	HOSE ASSY,1/4,STR FEM,STR FEM.....1 4 from SN 17348					
10	49120-21981GT	HOSE ASSY,SLAVE/MASTER CYL "E".....1 4 to SN 17347					
11	48919GT	TEE,BRANCH,520429-6.....2					
12	49120-35381GT	HOSE ASSY 1/4, STR FEM,STR FEM....2 4 from SN 19715					
12	54740-35384GT	HOSE ASSY,F.MANIFOLD/EXT.CYL.....2 5 to SN 19714					
13	49119-1278GT	HOSE ASSY,1/4,STR FEM,STR FEM.....2 5 to SN 18770					
13	49119-2278GT	HOSE ASSY,1/4,STR FEM,STR FEM.....2 5 from SN 18771					
14	48918GT	TEE,RUN,520428-6.....2					
15	49119-39378GT	HOSE ASSY,1/4,STR FEM,STR FEM.....2 5					

612.1 Hydraulic Hoses and Fittings - Jib Models (continued)

Item	Part No.	Description	Qty.
------	----------	-------------	------

Footnotes

1: Hose End - Female, Swivel, ORFS (Parker No. 1JC43-4), Hose End - Female, Swivel, 90°, ORFS (Parker No. 1J943-4) and Hose, 1/4 inch (Parker No. 481TC-4)

2: Hose End - Female, Swivel, ORFS (Parker No. 1JC43-4), Hose End - Female, Swivel, ORFS (Parker No. 1JC43-4) and Hose, 1/4 inch (Parker No. 481TC-4)

3: Hose End - Female, Swivel, ORFS (Parker No. 1JC43-4), Hose End - Male, ORFS (Parker No. 1JO43-4) and Hose, 1/4 inch (Parker No. 481TC-4)

4: Hose End - Female, Swivel, ORFS (Parker No. 1JC43-4), Hose End - Female, Swivel, ORFS (Parker No. 1JC43-6-4) and Hose, 1/4 inch (Parker No. 481TC-4)

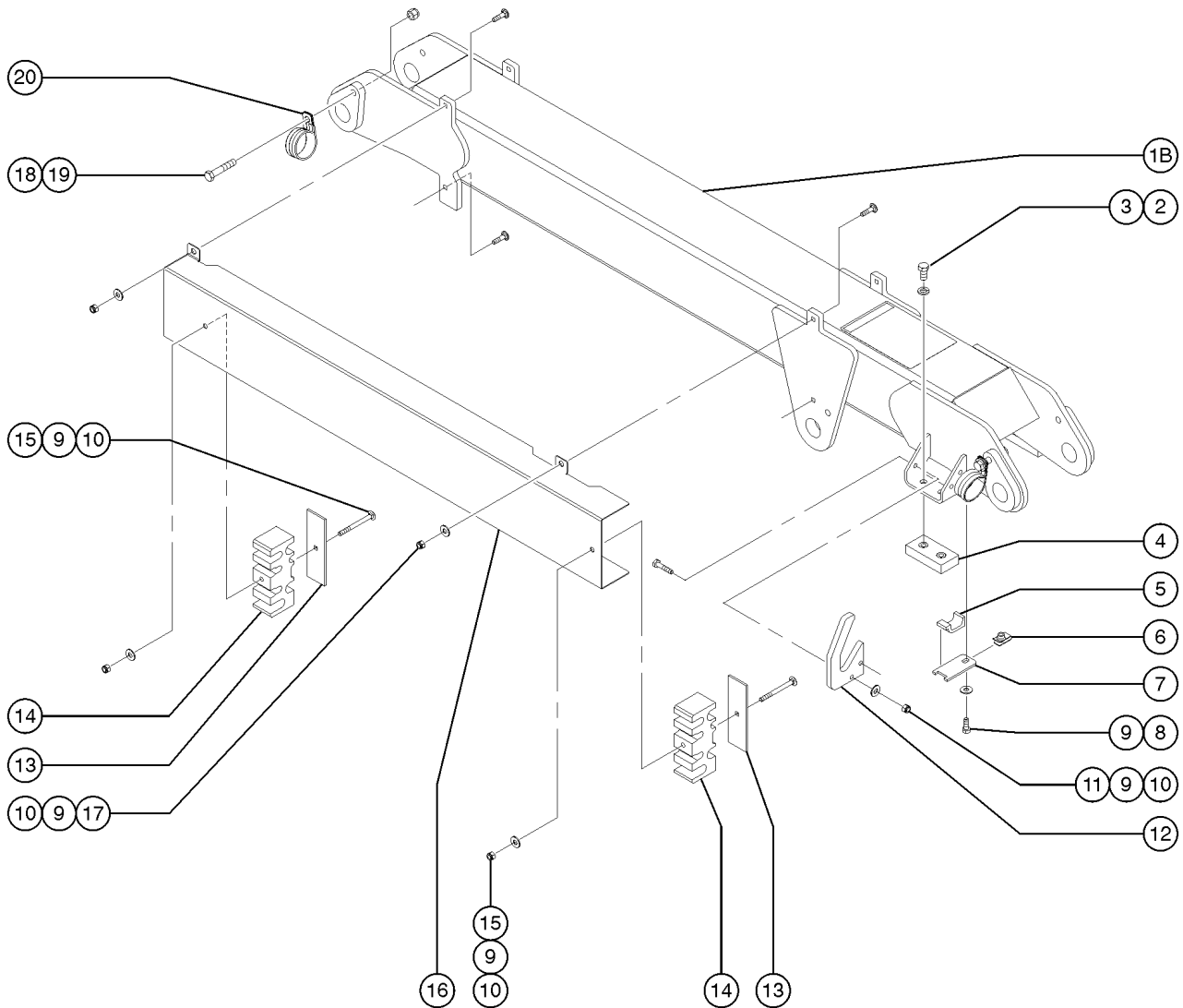
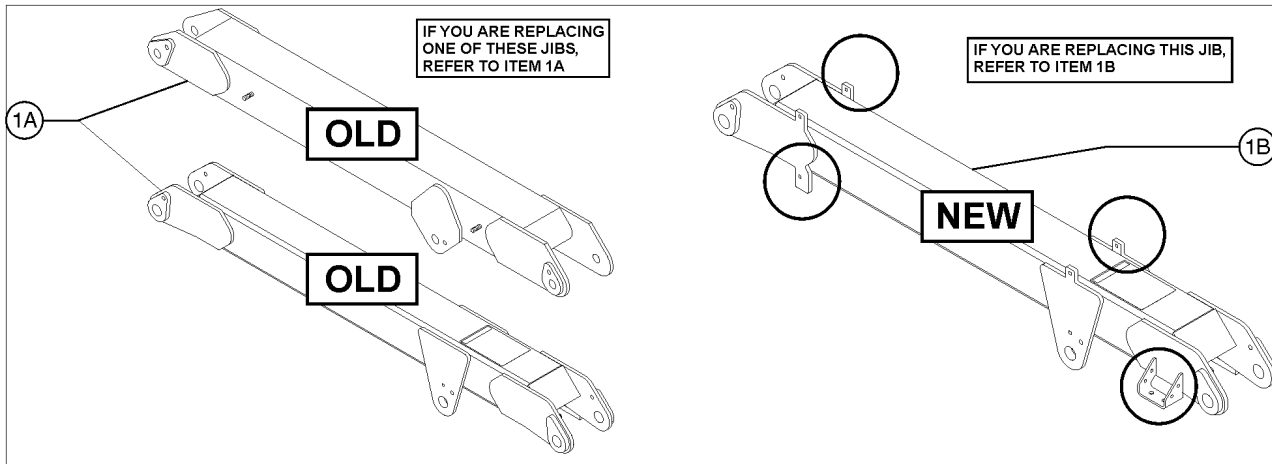
5: Hose End - Female, Swivel, ORFS (Parker No. 1JC43-6-4), Hose End - Female, Swivel, ORFS (Parker No. 1JC43-6-4) and Hose, 1/4 inch (Parker No. 481TC-4)

6: Verify hose end port size (SAE-4 or 6) when ordering

612.1 Hydraulic Hoses and Fittings - Jib Models
(continued)

This Page Intentionally Left Blank

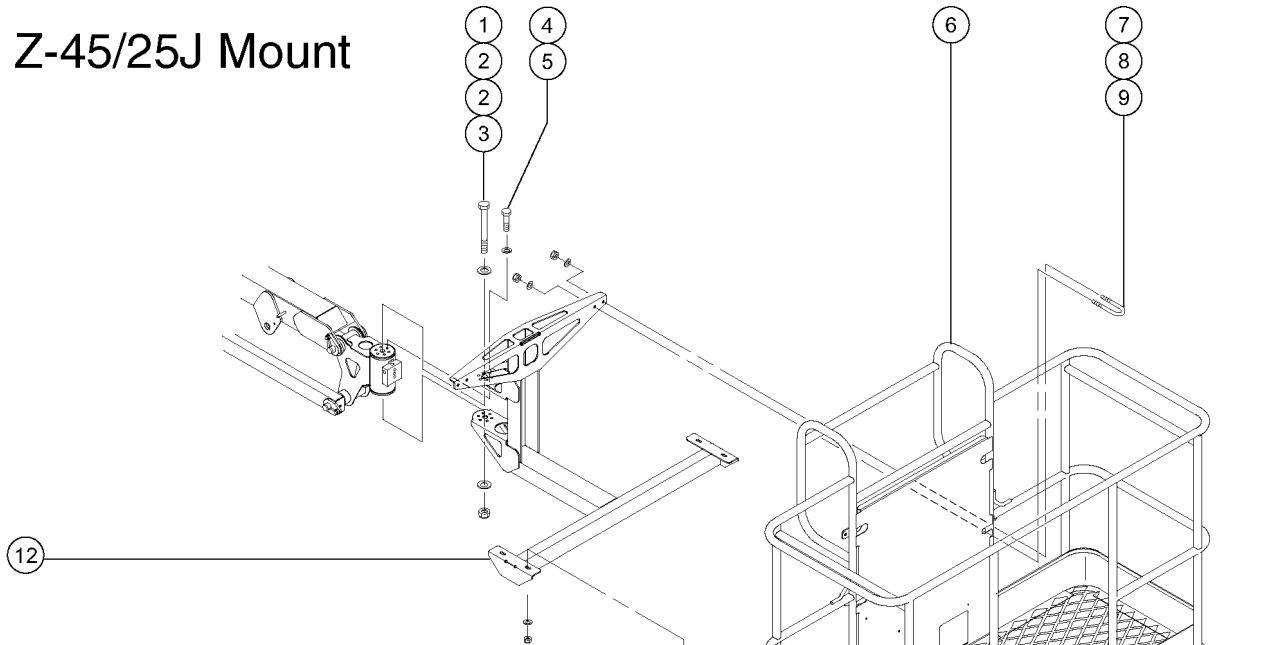
613.1 Jib Detail



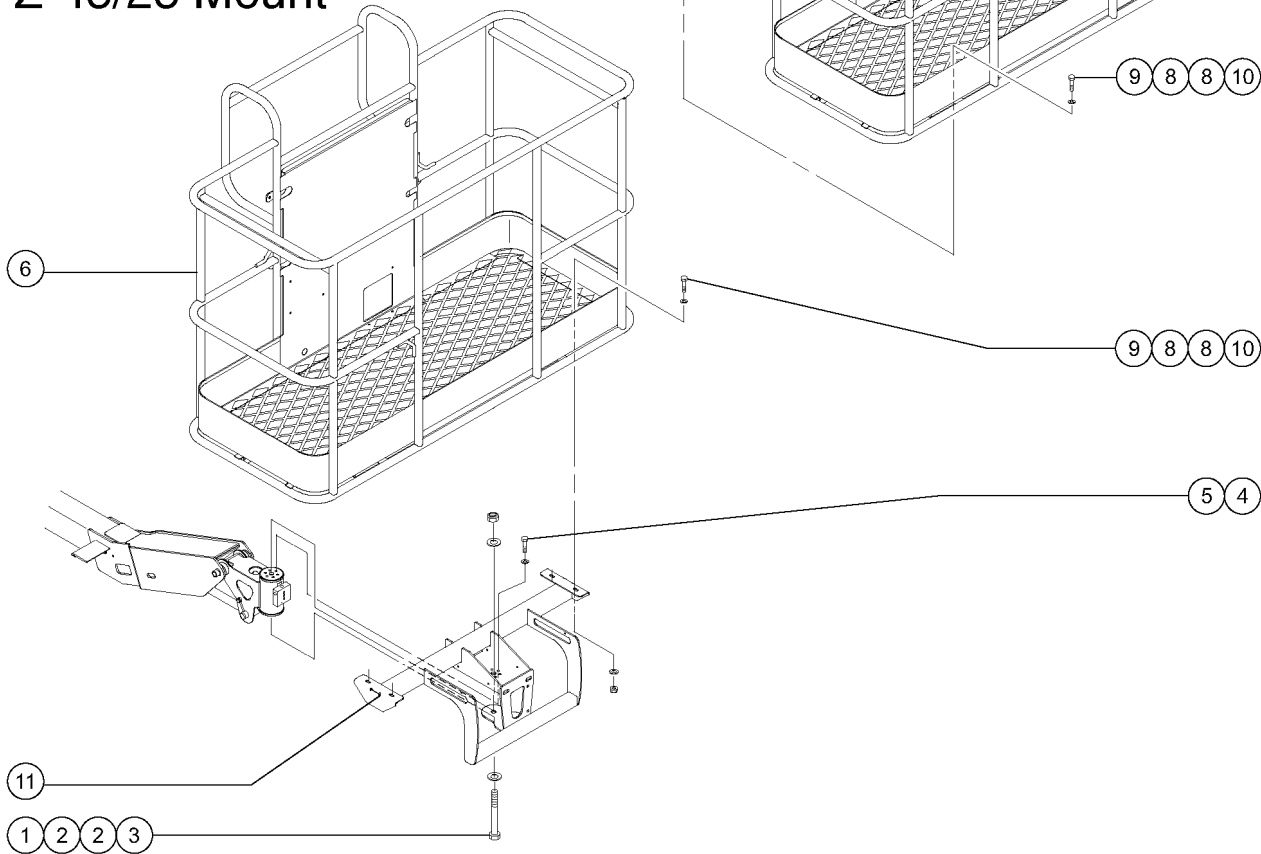
Item	Part No.	Description	Qty.
1A	128513GT	SERVICE KIT,5FT JIB <i>required for first time replacement (includes part number 128534)</i>	
1B	128534GT	JIB BOOM ASSY W/WORD DECAL.....1 <i>use ONLY if service kit 128513 has been installed on the machine</i>	
2	8255GT	SCREW,HHC,3/8-16 X .75	
3	6021GT	WASHER,LOCK,.375	
4	81640GT	WEAR PAD,3 X 1.5 X.625 W/NUTS.....1	
5	119542GT	CLAMP,TWO HOSE.....1	
6	56912GT	SPRING CLIP,1/4-20,.025-.15X.54,ZAG.....1	
7	119536PGT	BRACKET,HOSE CLAMP,PAINTED.....1	
8	6090GT	SCREW,HHC,1/4-20 X .75	
9	6638GT	WASHER,FLAT,USS,1/4"Y	
10	6091GT	NUT,NYLOCK,1/4-20	
11	8915GT	SCREW,HHC,1/4-20 X 1.25	
12	128482GT	HOSE GUIDE, JIB.....1	
13	128483GT	BACKING PLATE, HOSE BLOCK, JIB....2	
14	128510GT	CLAMP,JIB HOSE/CABLE,Z45/51.....2	
15	128724GT	BOLT,CARRIAGE,1/4-20 X 2.75,G2	
16	128454PGT	COVER, JIB HOSES/CABLES.....1	
17	79456GT	BOLT,CARRIAGE,1/4-20 X 1.00,G2	
18	5224GT	SCREW,HHC,3/8-16 X 2	
19	4828GT	NUT,NYLOCK,3/8-16	
20	77181GT	CLAMP,1.63,#26 X 3/8,RUB CUSH.....2	

701.1 Platform Installation

Z-45/25J Mount



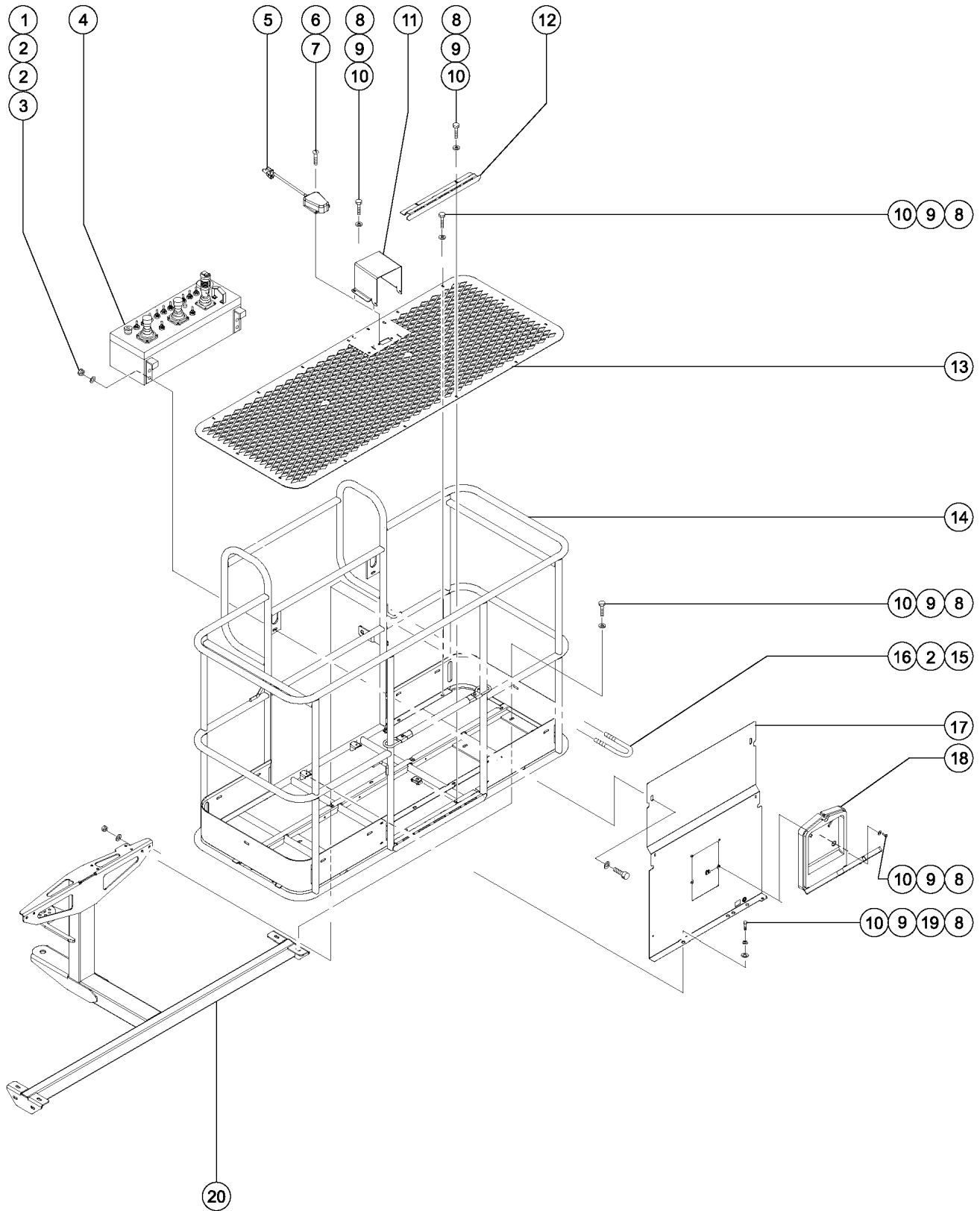
Z-45/25 Mount



701.1 Platform Installation

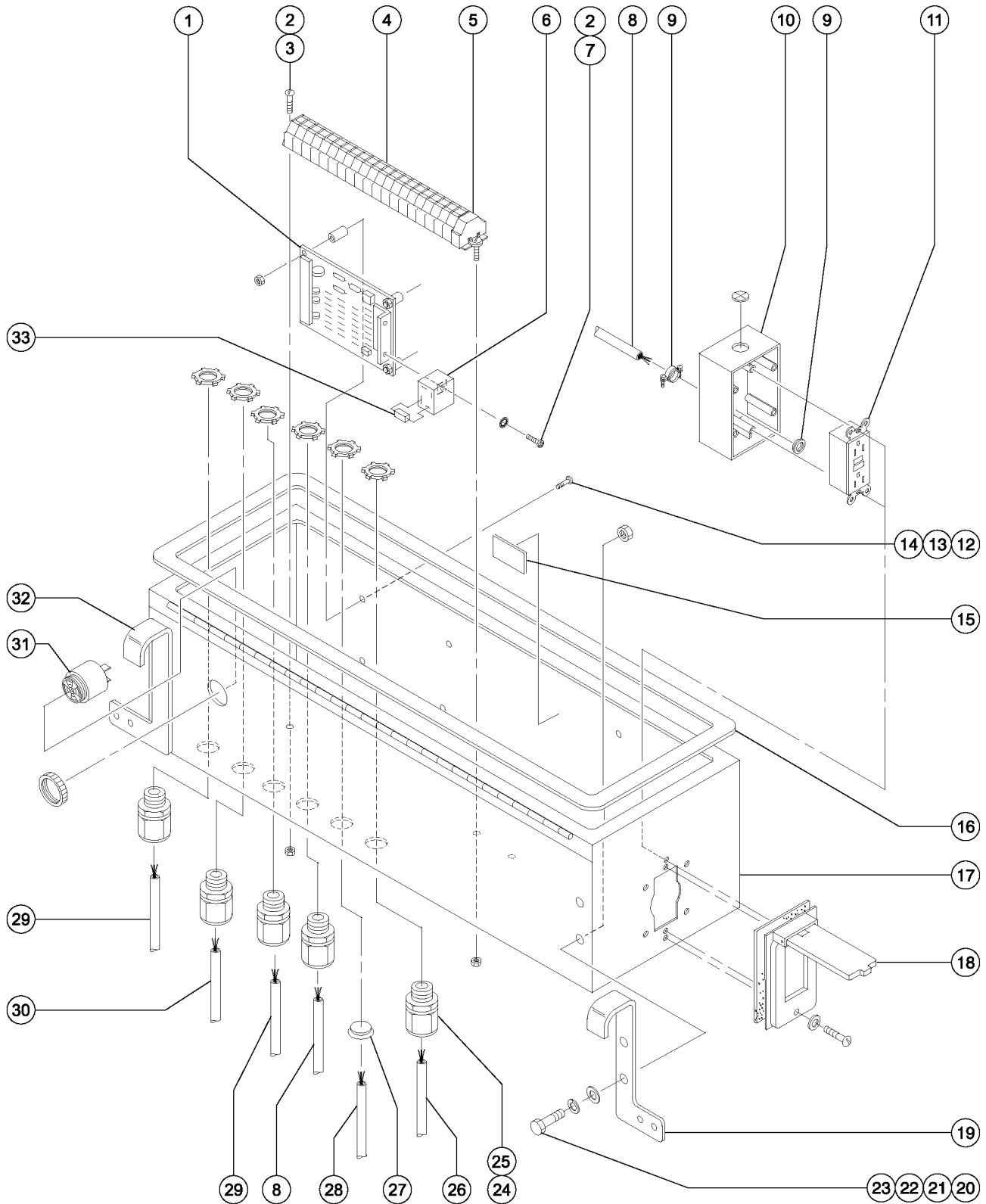
Item	Part No.	Description	Qty.
1	30286GT	SCREW,HHC,1-8 X 12IN GRD.2*** <i>to SN 16934</i>	2
1	56925GT	SCREW,HHC,3/4-10 X 9.5 GR 8 YE <i>from SN 16935</i>	2
2	122079GT	WASHER,FLAT,1.000,HARDENED <i>to SN 16934</i>	4
2	33278GT	WASHER,FLAT,.75 HARDENED <i>from SN 16935</i>	4
3	29764GT	NUT,NYLOCK,1-8 <i>to SN 16934</i>	2
3	77051GT	NUT,NYLOCK,3/4-10,GRD.8 <i>from SN 16935</i>	12
4	10597GT	SCREW,HHC,1/2-13 X 1.25 GR5 <i>to SN 16934</i>	12
4	77692GT	SCREW,HHC,3/8-16 X 1 GRD 8 <i>from SN 16935</i>	12
5	6021GT	WASHER,LOCK,.375 <i>from SN 16935</i>	12
5	6033GT	WASHER,LOCK,0.5" <i>to SN 16934</i>	12
6		Ref. Platform Assembly (refer to Figure 7-B or 7-B.1) <i>(refer to 702.1)</i>	12
7	122755GT	UBOLT,FLATTENED,1.5DIAX3/8 UNC	2
8	5397GT	WASHER,FLAT,USS,5/16",Y	4
9	4828GT	NUT,NYLOCK,3/8-16	12
10	8516GT	SCREW, HCC, 3/8-16 X 1.50	8
11	52743-SGT	PLAT SUPPORT ASSY,NON-JIB*** <i>to SN 16961; non-jib models</i>	1
--	54520-SGT	WELDMNT,PLATFRM SUPPORT,NJIB** <i>from SN 16962; non-jib models</i>	1
12	50293GT	PLATFORM SUPP WDMT 45.12" <i>to SN 16934</i>	1
12	54510-SGT	WELDMENT,PLATFORM SUPPORT <i>from SN 16935</i>	1

702.1 Platform



Item	Part No.	Description	Qty.
1	7713GT	NUT, LP NYLOCK, 3/8-16.....	4
2	5397GT	WASHER,FLAT,USS,5/16",Y.....	20
3	6019GT	SCREW,HHC,3/8-16 X 1.25 GRD 5.....	8
4		Ref. Platform Controls (refer to 703.1 or 704.1)..... <i>(refer to 703.1 or 704.1)</i>	8
5	73233GT	ASSEMBLY,FOOT SWITCH***.....	1
--	20262GT	MICROSWITCH,13482 FOOTSWITCH..	1
--	43960GT	WIRE CABLE,16/4 CON.TPE JKT.....	61-inches
--	60428GT	CONN,PLUG 4 WAY,14-18GA.....	1
--	73739GT	BOOT,PLUG 4 WAY.....	1
6	73587GT	SCREW,PHIL,10-24 X .75.....	2
7	73575GT	SPRING CLIP,10-24,.025-.125X.468,ZAG.....	2
8	6090GT	SCREW,HHC,1/4-20 X .75.....	4
9	6638GT	WASHER,FLAT,USS,1/4"Y.....	8
10	56912GT	SPRING CLIP,1/4-20,.025-.15X.54,ZAG.....	4
11	73931GT	GUARD,FOOTSWITCH,W/DECAL ALUM.....	1
12	73610PGT	STEP PLATFORM ENTRY PAINTED***.....	1
13	73477PGT	FLOORING, 6'FT PLATFORM..... <i>(for single entry)</i>	1
14	52750-SGT	PLAT.ASSY,6FT,Z45/25,ANSI/CSA.....	1
14	52751-SGT	PLAT.ASSY,6FT,Z45/25, CE.....	1
--	102992GT	SLIDING MIDRAIL KIT,PTD.....	1
--	53517GT	GROMMET,RUBBER .5 X .014 X .75.....	1
--	56424GT	CLAMP,1.25X.5 RUBBER-CUSHION....	1
--	60922GT	OPTION,EURO TOEBOARD.....	1
15	122755GT	UBOLT,FLATTENED,1.5DIA X 3/8 UNC...	2
16	4828GT	NUT,NYLOCK,3/8-16.....	8
17	73954PGT	Decal Plate Assembly with decals (decals are listed in Section One).....	1
18	44743GT	MANUAL BOX W/DECALS***.....	1
19	6356GT	WASHER,LOCK,.25.....	3
20		Ref Weldment - Platform Mount..... <i>(refer to 701.1)</i>	3

703.1 Platform Controls - View 1

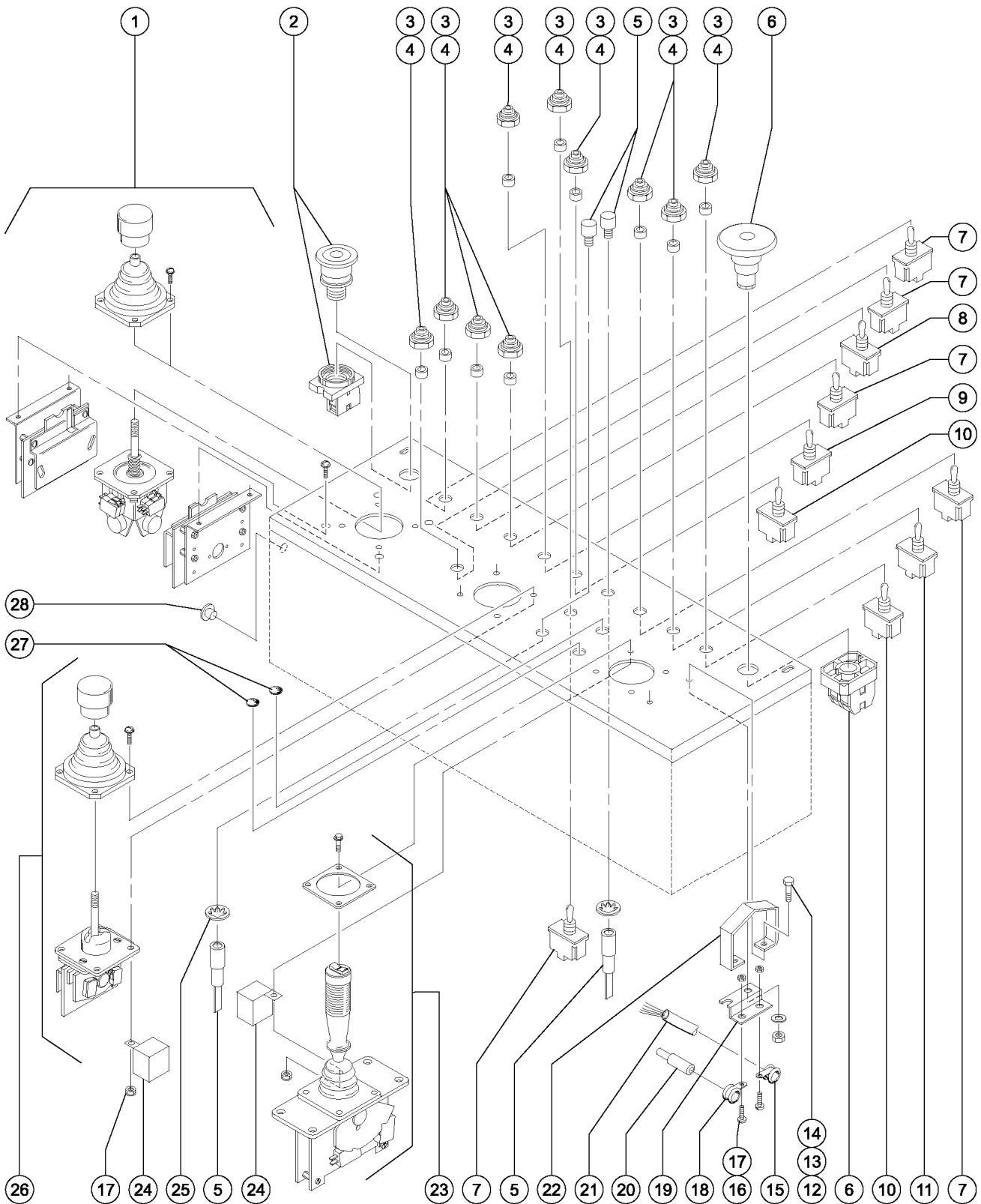


703.1 Platform Controls - View 1

Item	Part No.	Description	Qty.	Item	Part No.	Description	Qty.
A	119867GT	WIRING KIT,JIB TIME DELAY IC		25	6935GT	LOCKNUT,ELEC,1/2".....6	1
--	19274GT	RELAY,SPDT,12V(AUTO)**		26	43957GT	WIRE CABLE,14GA/4 CON.TPE	
--	43181GT	CAPACITOR,TIME DELAY				JKT.....83-inches	
1	22052GT	LIMITER PC BOARD, HORSEPOWER...1		27	15243GT	PLUG,NYLON .875 BLACK DOMED.....1	
--	39591GT	SPACER,NYLON,.375.....1		28	43959GT	WIRE CABLE,16GA/3 CON.TPE	
		<i>sold separately</i>				JKT.....144-inches	
2	49820GT	SCREW,PHILLIPS,PHM,6-32 X .5.....3		29	35934GT	WIRE CABLE,18/19	
3	12344GT	NUT,NYLOCK,6-32.....2				CON.TPRJKT.....733-inches	
4	32637GT	TERMINAL BLOCK,WAGO.....43		30	43955GT	WIRE CABLE,12/3 CON.TPE	
4	32638GT	TERMINAL BLOCK,WAGO.....2				JKT.....742-inches	
5	32639GT	END PLATE,WAGO.....1		31	45383GT	ALARM,WARBLE TONE 5-30 VDC***1	
6	19274GT	RELAY,SPDT,12V(AUTO)**1				<i>Does not include 72326 nut</i>	
		<i>Ford models</i>		--	72326GT	NUT - PLASTIC,RING FOR ALARMS.....1	
7	44936GT	WASHER,STAR,EXTERNAL,#8.....1		32	50405GT	BRACKET,CONTROL BOX	
8	43956GT	WIRE CABLE,14/3 CON.TPE				MOUNT,LH%%.....1	
		JKT*.....732-inches				<i>to SN 19360</i>	
9	6622GT	GROUND CONNECTOR,1/2".....1		32	77136GT	BRACKET,CONTROL BOX	
10	10775GT	T-BOX,2.75 X 4.5 X 2.0.....1				MOUNT,Z45.....1	
10	8843GT	COVER,KNOCK OUT HOLE,4 PER				<i>from SN 19361</i>	
		BAG.....1		33	49866GT	RESISTOR,50 OHM,5 W,CERAMIC.....1	
11	13585GT	OUTLET, 110V.....1				<i>Gasoline/LPG models</i>	
11	33629GT	PLATE,UK POWER TO PLATFORM.....1		Footnotes			
11	33724GT	KIT,GASKET,UK POWER TO PLAT.....1		1: Quantity listed may not reflect specific model			
12	54380GT	SCREW,PHILLIPS,PHM,8-32 X .875.....4		configuration requirements.			
13	39591GT	SPACER,NYLON,.375.....4					
14	54633GT	NUT,KEPT,8-32,PLATED.....4					
15	30997GT	CORROSION INHIBITOR,FOAM.....1					
16	27115GT	GASKET,UPPER CONTROL BOX.....1					
17	52765-SGT	PLAT.CNTRL.BOX W/DECAL,Z45/25.....1					
		<i>includes index number 15; to SN 16867</i>					
17	77248GT	PLAT.CNTRL.BOX,W/DECAL,Z45/25.....1					
		<i>includes index number 15; from SN 16868</i>					
18	10777GT	COVER,BLANK.....1					
18	45437GT	COVER,GFCI,WEATHERPROOF.....1					
		<i>includes mounting fasteners</i>					
19	50404GT	BRACKET,CONTROL BOX					
		MOUNT,RH%%.....1					
		<i>to SN 19360</i>					
19	77136GT	BRACKET,CONTROL BOX					
		MOUNT,Z45.....1					
		<i>from SN 19361</i>					
20	6175GT	SCREW,HHC,3/8-16 X 1.....4					
21	6021GT	WASHER,LOCK,.375.....4					
22	6097GT	WASHER,FLAT,USS,3/8",Y.....4					
23	4828GT	NUT,NYLOCK,3/8-16.....4					
24	7057GT	CONN. SQZ,1/2NPT .39-.56 MED.....6					
		1					



704.1 Platform Controls - View 2

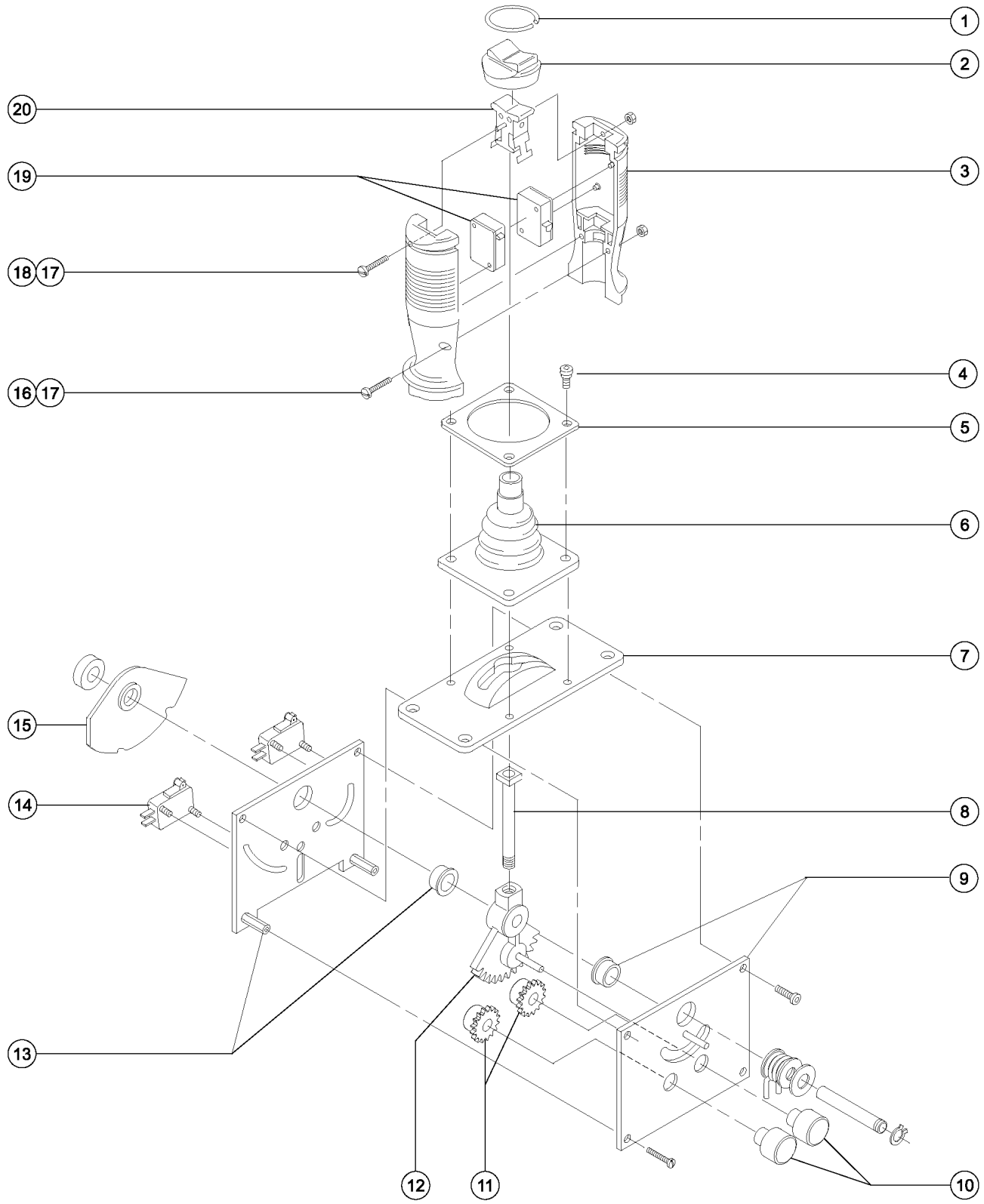


704.1 Platform Controls - View 2

Item	Part No.	Description	Qty.	Item	Part No.	Description	Qty.
1		Ref., JOYSTICK CONTROLLER,12V.....1 <i>refer to 707.1</i>		22	27033GT	SUPPORT,WRIST***.....1	
2	122513GT	KIT,HORN SVC BB&SM BOOM		23		Ref., JOYSTICK CONTROLLER,12V.....1 <i>refer to 705.1</i>	
2	66813GT	BUTTON,PUSH,BLACK W/SEAL***.....1		24	19274GT	RELAY,SPDT,12V(AUTO)**.....2	
--	122513GT	KIT,HORN SVC BB&SM BOOM.....1		25	56848GT	WASHER,LOCK,IND,LAMP RETAINER.....2	
--	66813GT	BUTTON,PUSH,BLACK W/SEAL***.....1		26		Ref. JOYSTICK,SINGLE AXIS PROPORT.....1 <i>refer to 706.1</i>	
--	66815GT	BASE, W/1 N.O. CONTACTS***.....1		27	45384GT	PLUG,NYLON .50 BLACK DOMED.....2 1	
--	66816GT	CONTACT,N.O.***.....1		28	30996GT	PLUG,NYLON .313 BLACK DOMED.....6	
3	27246GT	BOOT,TOGGLE SWITCH,SHORT*.....10 1		Footnotes			
4	54692GT	SPACER,NYLON,.718 X .526 X.219.....10 1		1: Quantity listed may not reflect specific model configuration requirements.			
5	824879GT	LIGHT,LED IND. RED 12V NH.....2 <i>Gasoline/LPG models</i>					
--	824879GT	LIGHT,LED IND. RED 12V NH.....1 <i>Diesel models</i>					
6	122514GT	KIT,ESTOP SVC BB&SM BOOM.....1					
--	66812GT	BUTTON,PUSH,RED MUSHROOM HEAD.....1					
--	66818GT	CONTACT, N.C.....2					
--	66821GT	BASE,WITHOUT CONTACTS.....1					
7	13037-SGT	SWITCH,TOGGLE,SPDT,3POS MOMEN*.....5 1 <i>includes mounting fasteners</i>					
8	16397-SGT	SWITCH,TOGGLE,DPDT,3POS MOMEN.....1 <i>includes mounting fasteners</i>					
9	13480-SGT	SWITCH,TOGGLE,DPDT,2POS MOMEN.....1 <i>includes mounting fasteners</i>					
10	128205GT	SWITCH TOGGLE ASSY DPDT 2P MNT.....2 1 <i>(replaced 27378-S)</i>					
11	13038-SGT	SWITCH,TOGGLE,DPDT,3POS MAINT.....1 <i>includes mounting fasteners</i>					
12	6090GT	SCREW,HHC,1/4-20 X .75.....2					
13	6638GT	WASHER,FLAT,USS,1/4"Y.....2					
14	6889GT	NUT,LP NYLOCK,1/4-20.....2					
15	21618GT	CLAMP,1.13,#18 X 1/4,RUB CUSH.....1					
16	54365GT	SCREW,PHIL,PHM,10-32 X .5,SSTL....2					
17	6178GT	NUT,NYLOCK,10-32.....4					
18	13268GT	CLAMP,0.75,#12 X 1/4,RUB CUSH.....1					
19	54525GT	BRACKET-PANEL-WIRE MOUNTING 99.....1					
20	43181GT	CAPACITOR,TIME DELAY.....1					
21	54955GT	WIRE LOOM,1.29 DIA.....9.5-inches					



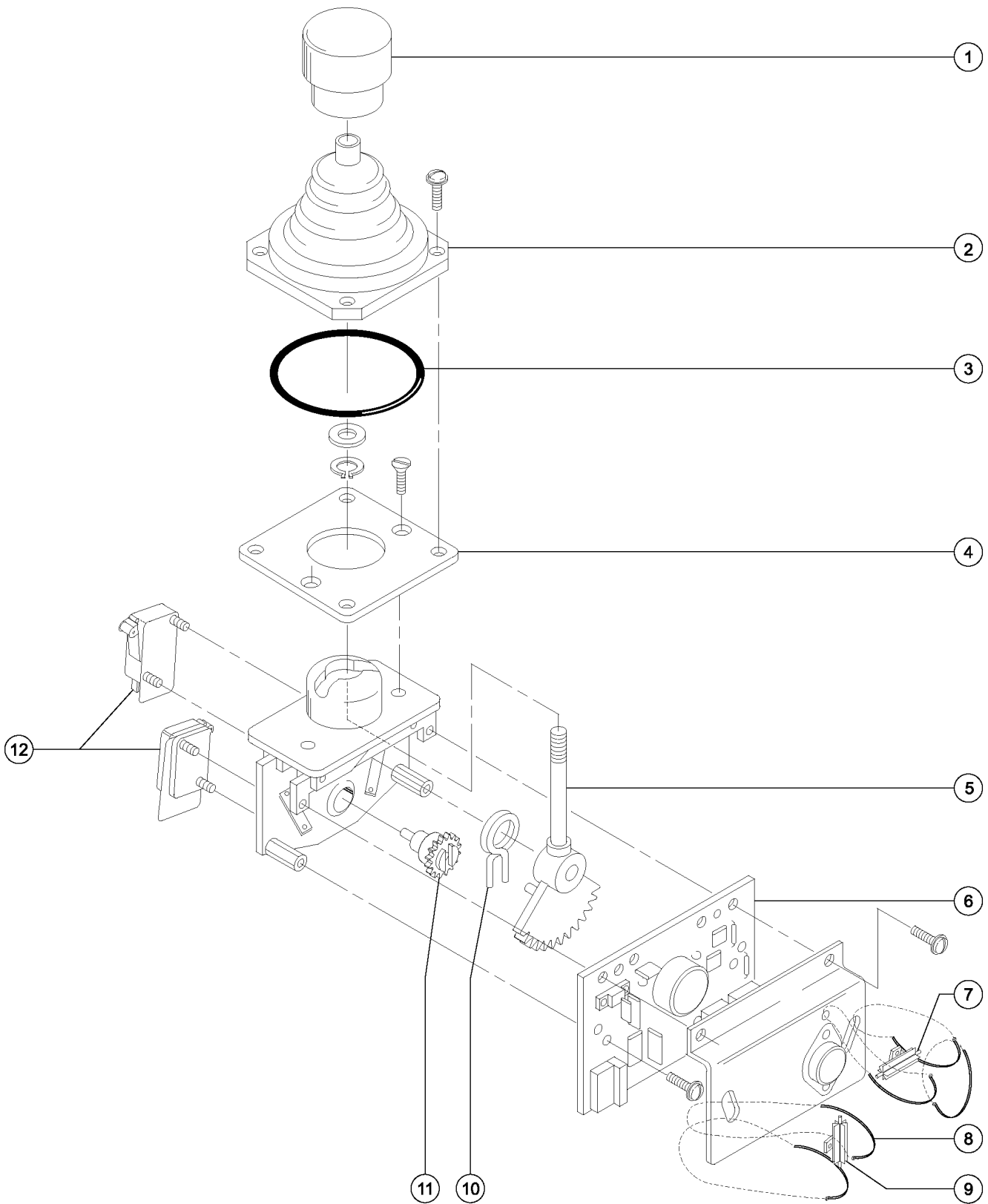
705.1 Joystick Controller - Drive/Steer Functions



705.1 Joystick Controller - Drive/Steer Functions

Item	Part No.	Description	Qty.
--	20424GT	JOYSTICK CONTROLLER,12V <i>OEM joystick, contains all shown service parts</i>	
--	20424HGT	JOYSTICK CONTROLLER,12V <i>aftermarket joystick replacement</i>	
1	25882GT	LOCK RING.....	1
2	25881GT	BOOT,THUMB 20424 JOYSTICK.....	1
3	25883GT	HANDLE HALF,JOYSTICK (20424)..... <i>order qty (2) required</i>	2
--	49887GT	NUT & BOLT KIT (25883).....	1
--	58209GT	SPRING,RETURN***.....	1
--	72245GT	KIT, JOYSTICK HANDLE <i>includes handles, rocker and nut/bolt kit</i>	
4	54946GT	SCREW,PHILLIPS,PHM,M5 X 16MM....	4
5	44221GT	COLLAR, BOOT RETAINING.....	1
6	22368GT	BOOT (20424).....	1
7	25884GT	COVER CASTING,20424 CONTROLLER.....	1
8	44211GT	SHAFT,W/NF STYL BLOCK,(20424)*.....	1
9	65535GT	POT PLATE ASSEMBLY (20424)..... <i>includes bearing and terminal strip</i>	1
10	22364GT	POTENTIOMETER (20424).....	2
11	22367GT	SPUR GEAR (20424).....	2
12	44212GT	GEAR CASTING,20424 CONTROLLER*.....	1
13	65536GT	SWITCH PLATE ASSEMBLY(20424)..... <i>includes bearing and stand-offs</i>	1
14	22365GT	SWITCH (20424).....	2
15	22366GT	CAM ASSY (20424).....	1
16	52776GT	SCREW,HEX,M4X0.7X10MM (20424)*...2	
17	52777GT	NUT,HEX,M4 X 0.7 MM (20424)***.....3	
18	52775GT	SCREW,HEX,M4X0.7X30MM (20424)*...1	
19	23680GT	SWITCH,HANDLE,20424.....	2
20	23688GT	ROCKER ASSY,HANDLE (20424)***.....1	

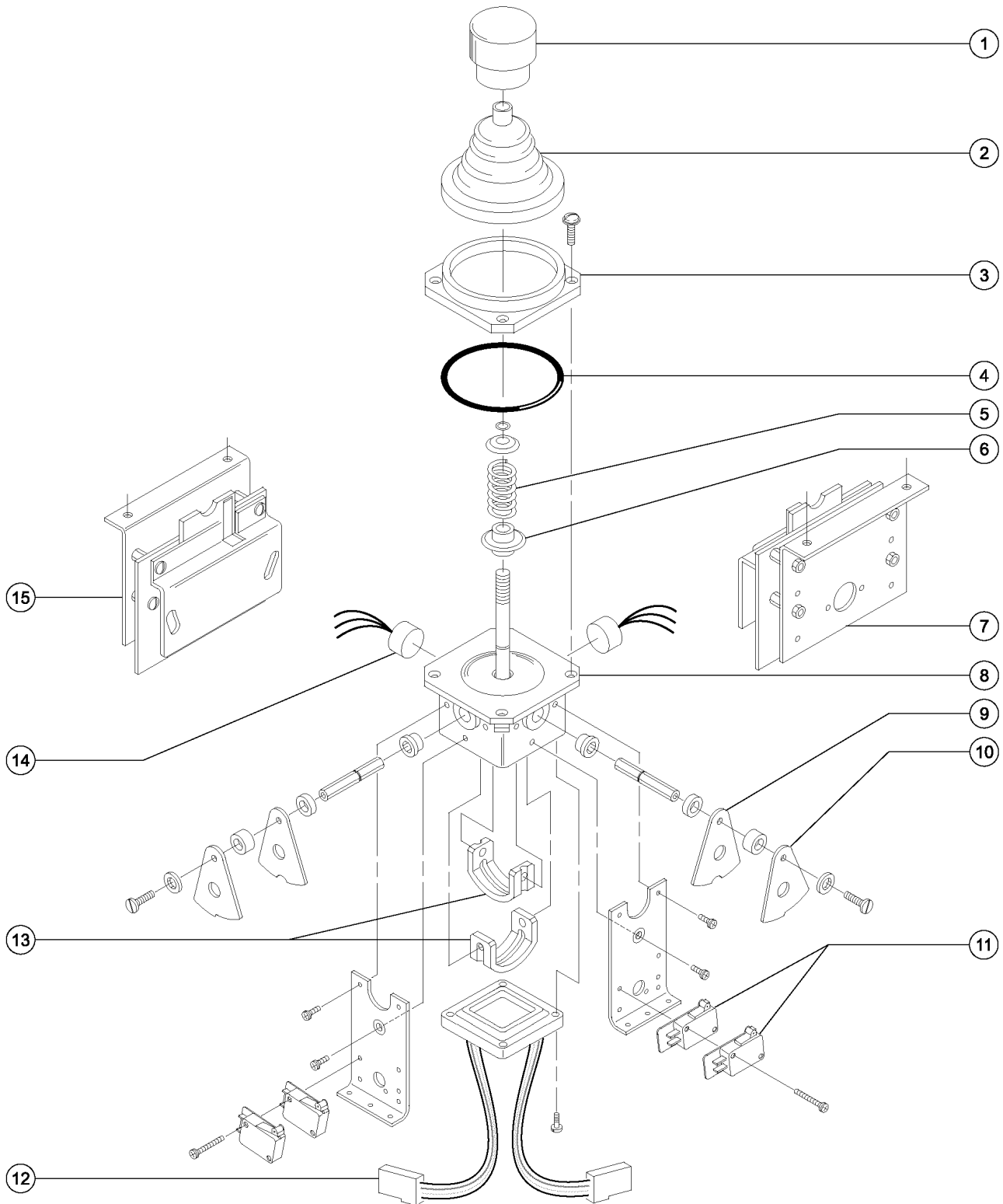
706.1 Joystick Controller - Secondary Boom Functions



706.1 Joystick Controller - Secondary Boom Functions

Item	Part No.	Description	Qty.
--	24495GT	JOYSTICK,SINGLE AXIS PROPORT <i>OEM joystick, contains index numbers 1 - 6 and 10 - 12</i>	
--	24495HGT	JOYSTICK,SINGLE AXIS PROPORT <i>aftermarket joystick replacement</i>	
1	27133GT	HANDLE,CAP,CONTROLLER.....	1
2	27134GT	BOOT,CONTROLLER.....	1
3	31526GT	O-RING,BOOT,CONTROLLER.....	1
4	19720GT	CASTING,45049, 40612.....	1
5	27135GT	SHAFT W/GEAR.....	1
6	19718GT	POTENTIOMETER,45049.....	1
6	27524GT	PCB,ASSY,24495.....	1
7	27116GT	RESISTOR,100 OHM,25 WATT.....	1
8	21121GT	CABLE TIE,4" BLK,HEAT RESISTNT....	5
9	27117GT	RESISTOR,250 OHM,5 WATT.....	1
10	21434GT	SPRING & BUSHING KIT,RETURN***....	1
11	19731GT	GEAR, SLAVE, MS4,45048.....	1
12	19712GT	MICROSWITCH,V3L-139-D8.....	2

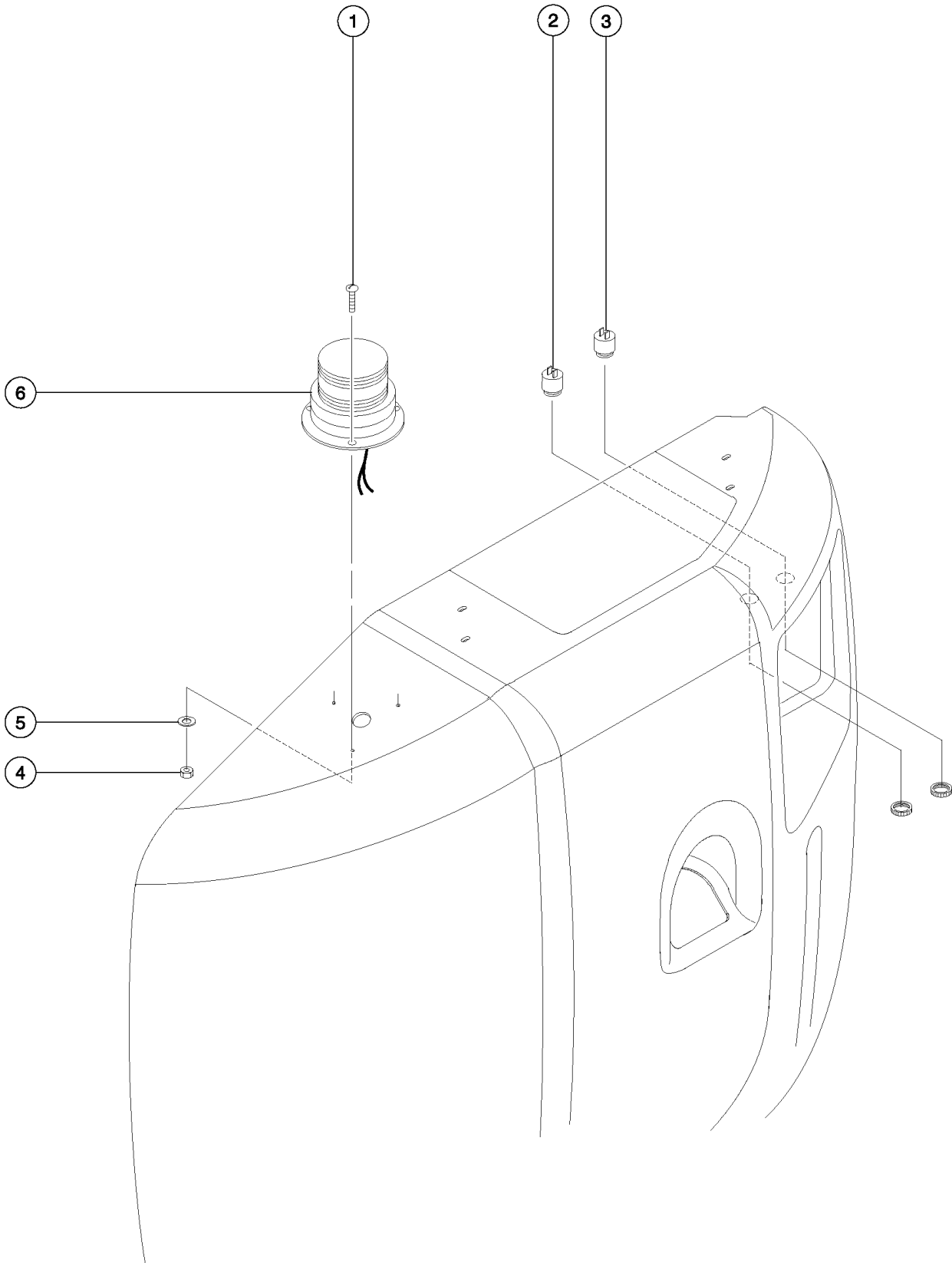
707.1 Joystick Controller - Primary Boom and Turntable Rotate Functions



707.1 Joystick Controller - Primary Boom and Turntable Rotate Functions

Item	Part No.	Description	Qty.
--	53073GT	JOYSTICK,MULT AXIS CONT,OEM*** <i>OEM joystick, contains all shown service parts</i>	
--	53073HGT	JOYSTICK,MULT AXIS CONT <i>aftermarket joystick replacement</i>	
1	27133GT	HANDLE,CAP,CONTROLLER.....	1
2	27134GT	BOOT,CONTROLLER..... <i>includes item 3</i>	1
3	46272GT	FLANGE-JOYSTICK MOUNTING,44988.....	1
4	31526GT	O-RING,BOOT,CONTROLLER.....	1
5	27511GT	SPRING,24493 CONTROLLER.....	1
6	31283GT	BUSHING,SPRING SEAT.....	1
7	52585GT	PCB,11179CD,(LIFT)***.....	1
8	52587GT	SHAFT & HOUSING ASSY.....	1
9	52588GT	DRIVE GEAR - INSIDE #53073.....	2
9A	58477GT	SHAFT (53073)***.....	2
10	52589GT	DRIVE GEAR - OUTSIDE #53073.....	2
11	19712GT	MICROSWITCH,V3L-139-D8.....	4
12	58923GT	SADDLE BRCKT40613,34419,53073*.... <i>harness shown for illustration purpose only</i>	1
13	37948GT	SADDLES-SET(24493,40613,53073*.....	1
14	52591GT	POTENTIOMETER-JOYSTCK(53073)....	2
14	65827GT	ADAPTER (53073,52591) **.....	2
15	52586GT	PCB,11179AB, (SWING)***.....	1

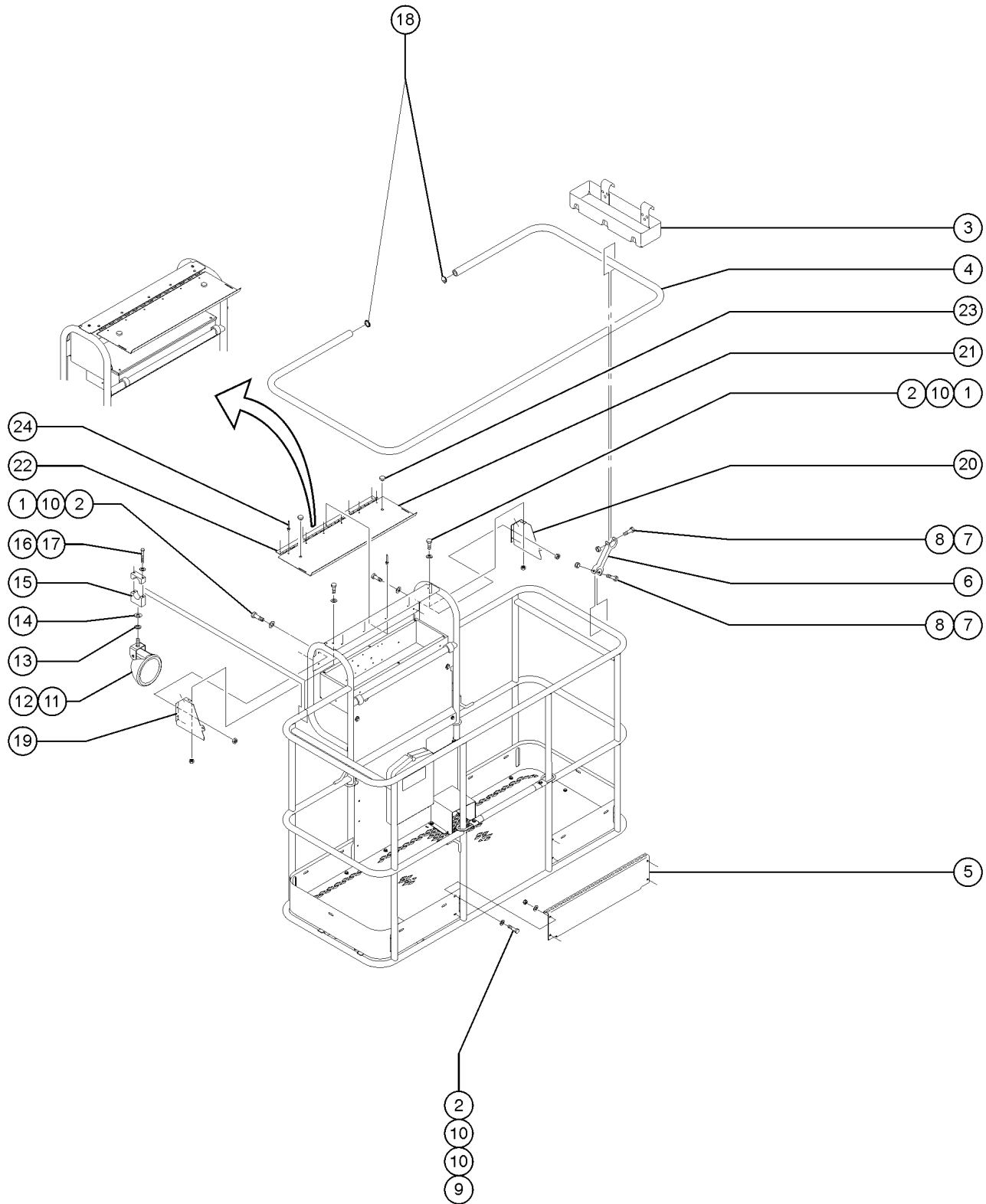
801.1 Alarm and Beacon Package



801.1 Alarm and Beacon Package

Item	Part No.	Description	Qty.
--	77067GT	HARNESS,ALARM OPTION,Z45	
--	60047-SGT	ALARM PKG,ACC.Z45 IC	
1	75041GT	SCREW,PHILLIPS,PHM,10-32 X 1.....3	
2	45462GT	ALARM,CHIME TONE 5-25VDC***1 <i>Does not include 72326 nut</i>	
--	72326GT	NUT - PLASTIC,RING FOR ALARMS.....1	
3	18963GT	ALARM,INTERMITTENT TONE 6-30V*...1 <i>Does not include 72326 nut</i>	
--	72326GT	NUT - PLASTIC,RING FOR ALARMS.....1	
4	6178GT	NUT,NYLOCK,10-32.....3	
5	6146GT	WASHER,FLAT,MS,#10,Y.....3	
6	56704GT	STROBE,FIREBOLT,12-80VDC,AMB**...1 <i>(replaced 20189)</i>	
--	122019GT	FLASHTUBE,U SHAPED,360DEG,BULB	
--	226393GT	FLASHTUBE,STRAIGHT,360DEG,BULB	
--	72282GT	LENS,AMBER,STROBE,FIREBOLT	

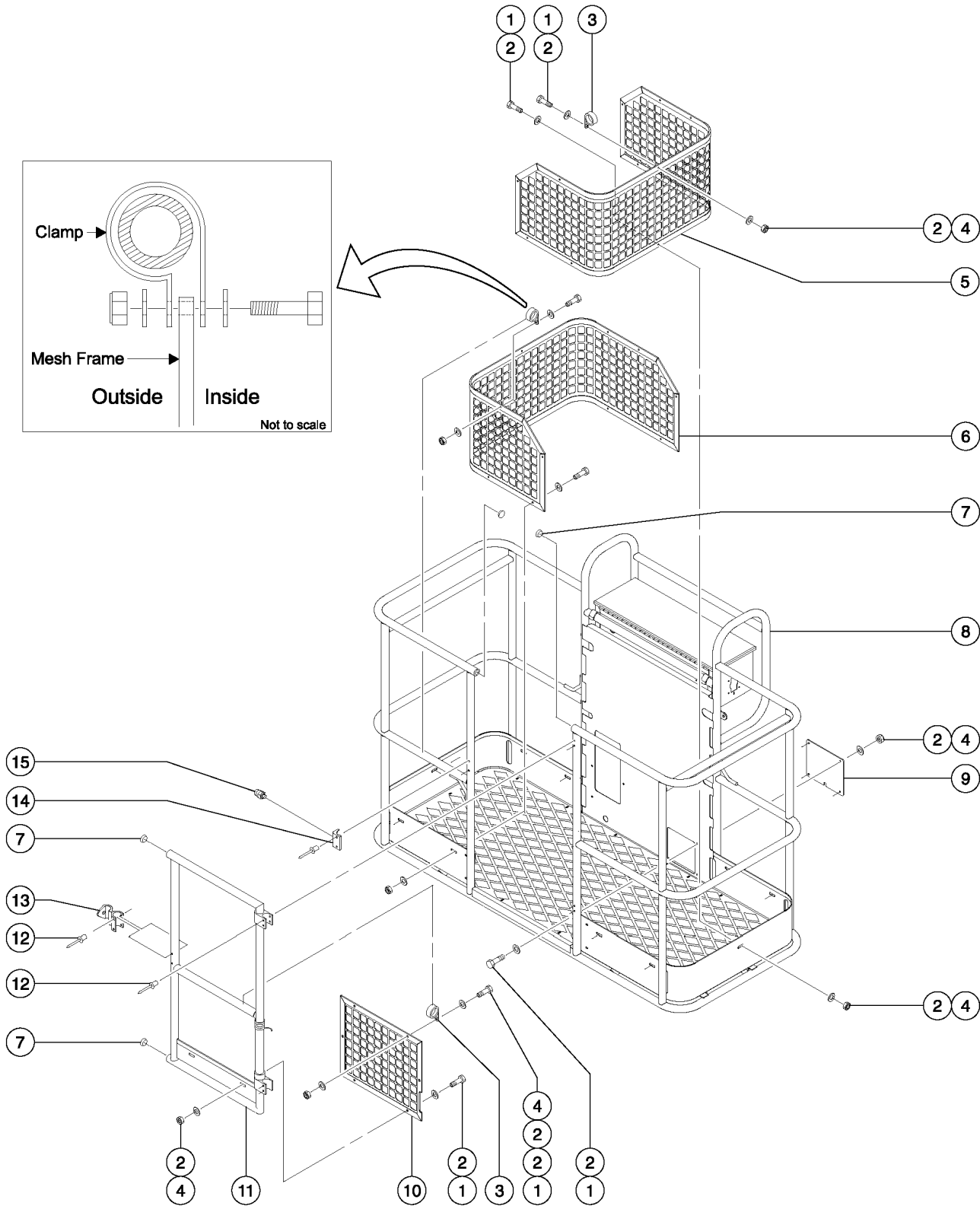
802.1 Platform Options



802.1 Platform Options

Item	Part No.	Description	Qty.
--	28322GT	OPTION,PLAT.PINCH GUARD,5 FT.	
--	28323GT	OPTION,PLAT.PINCH GUARD,4 FT.	
--	34321-SGT	OPTION,WORKLIGHT,12 VOLT	
--	53157-SGT	PINCH GUARD,6'(1.31")SERVICE**	
--	53808GT	AUX TOP RAIL,6' PLATFORM	
--	119795GT	KIT,CONTROL BOX COVER	
--	60922GT	OPTION,EURO TOEBOARD (includes item 5)	
1	7339GT	SCREW,HHC,1/4-20 X .5.....	4
2	6091GT	NUT,NYLOCK,1/4-20.....	8
3	9599-SGT	TOOL TRAY ACCESSORY***	1
--	7746PGT	TOOL TRAY BRACKET (GRAY) **.....	2
4	28328GT	RAILING,PINCH GAURD,5 FT.....	1
--	28329GT	RAILING,PINCH GAURD,4 FT.....	1
--	53808-SGT	AUX TOP RAIL,6'(1.25")SERVICE.....	1
5	94745PGT	TOEBOARD,ENTRY EUROPEAN PNTD**	1
6	122073GT	SUPPORT, RAILING.....	20
7	122231GT	SCREW,BHSC,1/4-20 X 1.....	20
8	6889GT	NUT,LP NYLOCK,1/4-20.....	20
9	8914GT	SCREW,HHC,1/4-20 X .625.....	4
10	6638GT	WASHER,FLAT,USS,1/4"Y.....	4
11	107858GT	WORKLIGHT,48 VOLT.....	2
11A	35960GT	BULB,WORKLIGHT,12V 35W.....	2
12	13002GT	SCREW,HHC,5/16-18 X 1 GR5.....	2
13	6886GT	WASHER,LOCK,,313.....	2
14	5397GT	WASHER,FLAT,USS,5/16",Y.....	2
15	35956GT	BRACKET,WORK LIGHT MOUNT 5/16".....	2
16	6145GT	SCREW,HHC,1/4-20 X 1.5.....	4
17	6356GT	WASHER,LOCK,,25.....	4
18	45385GT	PLUG,NYLON 1.12 BLACK DOMED.....	2
19	88607PGT	COVER,CONTROL BOX LEFT SIDE***	1
20	88606PGT	COVER,CONTROL BOX RIGHT SIDE**	1
21	102785PGT	CONTROL BOX COVER,LID,PTD.....	1
22	111526GT	HINGE,PLAT CONTROL BOX COVER...1	
23	34619GT	BUMPER,RUBBER***	2
24	54486GT	RIVET,ALUM,ALUM,3/16BUTTONHEAD	

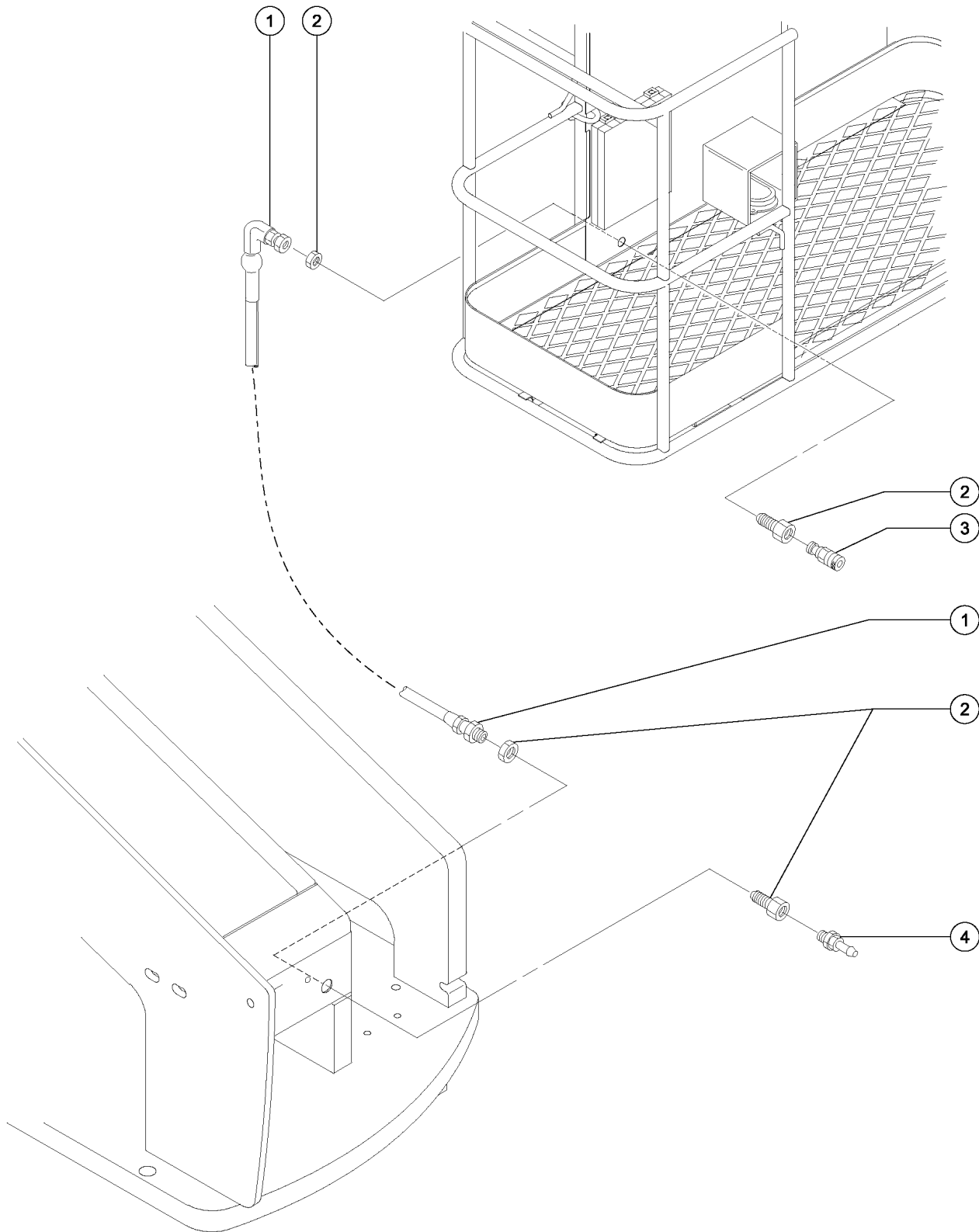
803.1 Half-mesh and Swing Gate Options



803.1 Half-mesh and Swing Gate Options

Item	Part No.	Description	Qty.
1	8914GT	SCREW,HHC,1/4-20 X .625.....	28
2	6638GT	WASHER,FLAT,USS,1/4"Y.....	74
3	54932GT	CLAMP,1.25,#20 X 1/4,RUB CUSH.....	17
4	6091GT	NUT,NYLOCK,1/4-20.....	17
5	54458GT	MESH,HALF,LH,6'PLATFORM.....	1
6	54465GT	MESH,HALF,RH,6'PLATFORM.....	1
7	45385GT	PLUG,NYLON 1.12 BLACK DOMED.....	4
8	52752-SGT	PLATFORM,1/2 MESH W/GATE,ANSI*.....	1
8	52753-SGT	PLAT.ASSY,6FT,1/2 MESH, CE.....	1
9	54165GT	PLATE,FOOT SWITCH COVER.....	1
10	54457GT	MESH,HALF,SWING GATE***.....	1
11	128368GT	KIT,SWING GATE W/SPRING.....	1
--	42104GT	SPRING,SHORT PLATFORM GATE	
11A	119950GT	KIT,FIELD INSTALL,SWING GATE <i>includes 128368, 7265, 1487, 1488 and 33674</i>	
12	7265GT	RIVET,STEEL,P .25 X .375.....	14
13	1487GT	GATE LATCH CASTING--DRILLED.....	1
14	1488GT	RAILING CATCH CASTING--DRILLED...1	
15	12161GT	SNAP PIN,(RD.NOSE)-GATE LATCH.....	1

804.1 Air Line to Platform

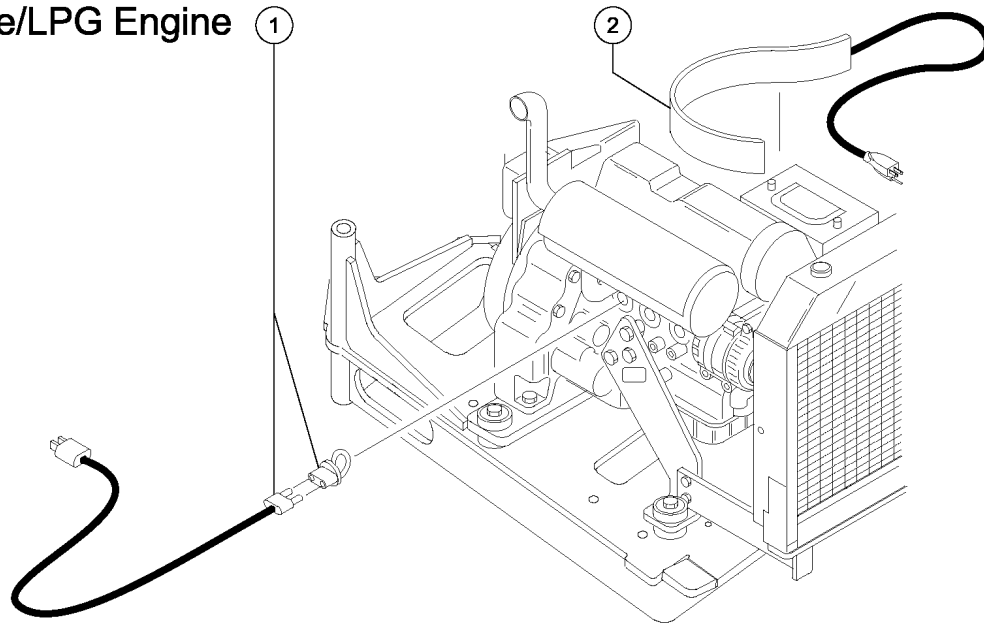


804.1 Air Line to Platform

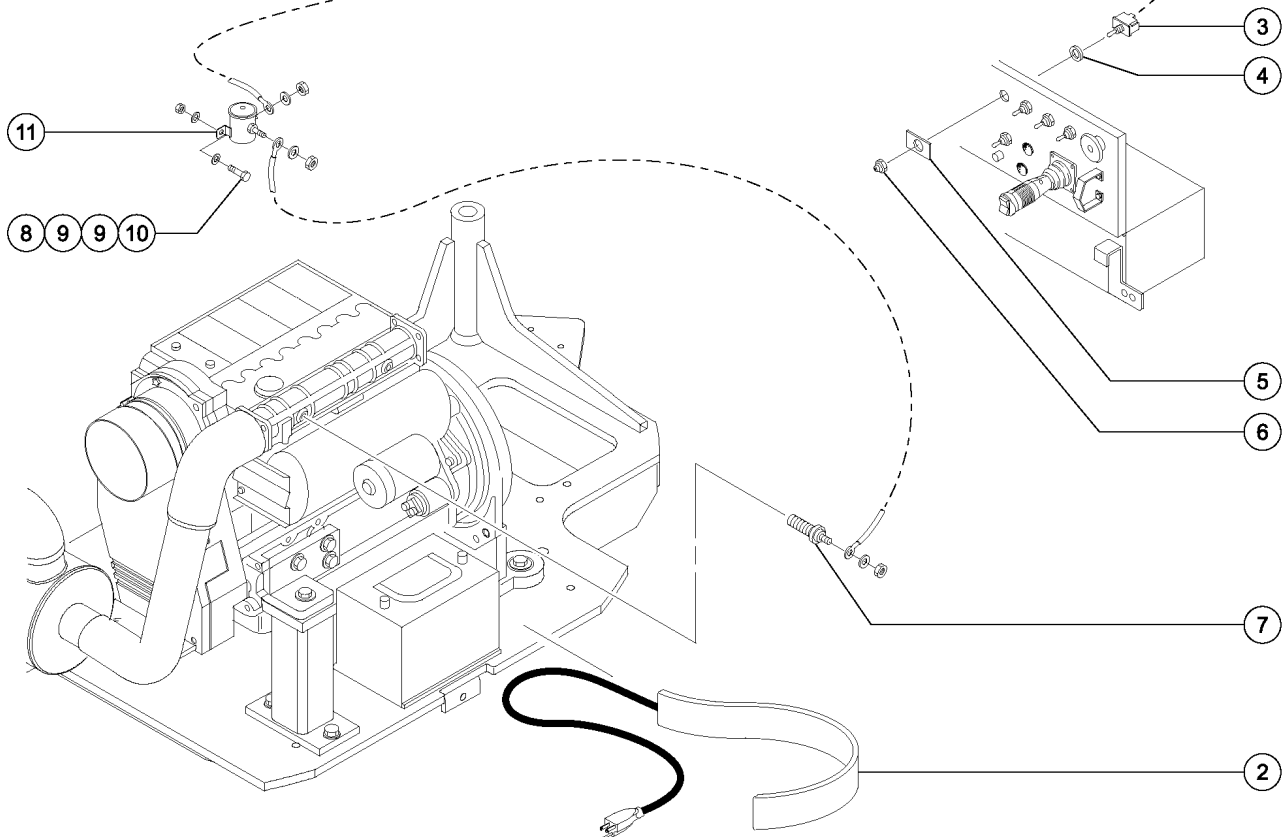
Item	Part No.	Description	Qty.
--	27887GT	OPTION,AIRLINE TO PLATFORM	
1	16073GT	CLAMP,0.63,#10 X 1/4,RUB CUSH.....12	
1	27890GT	KIT,FITTING,AIRLINE TO PLATFRM.....1	
2	27900GT	BULKHEAD,FEMALE X 6 X 6.....2	
3	27895GT	COUPLER,1/4"SERIES 3/8 MPT.....1	
4	27894GT	PLUG,1/4"SERIES,3/8 MPT.....1	

805.1 Cold Start Package - Ford and Deutz Engines

Ford Gasoline/LPG Engine



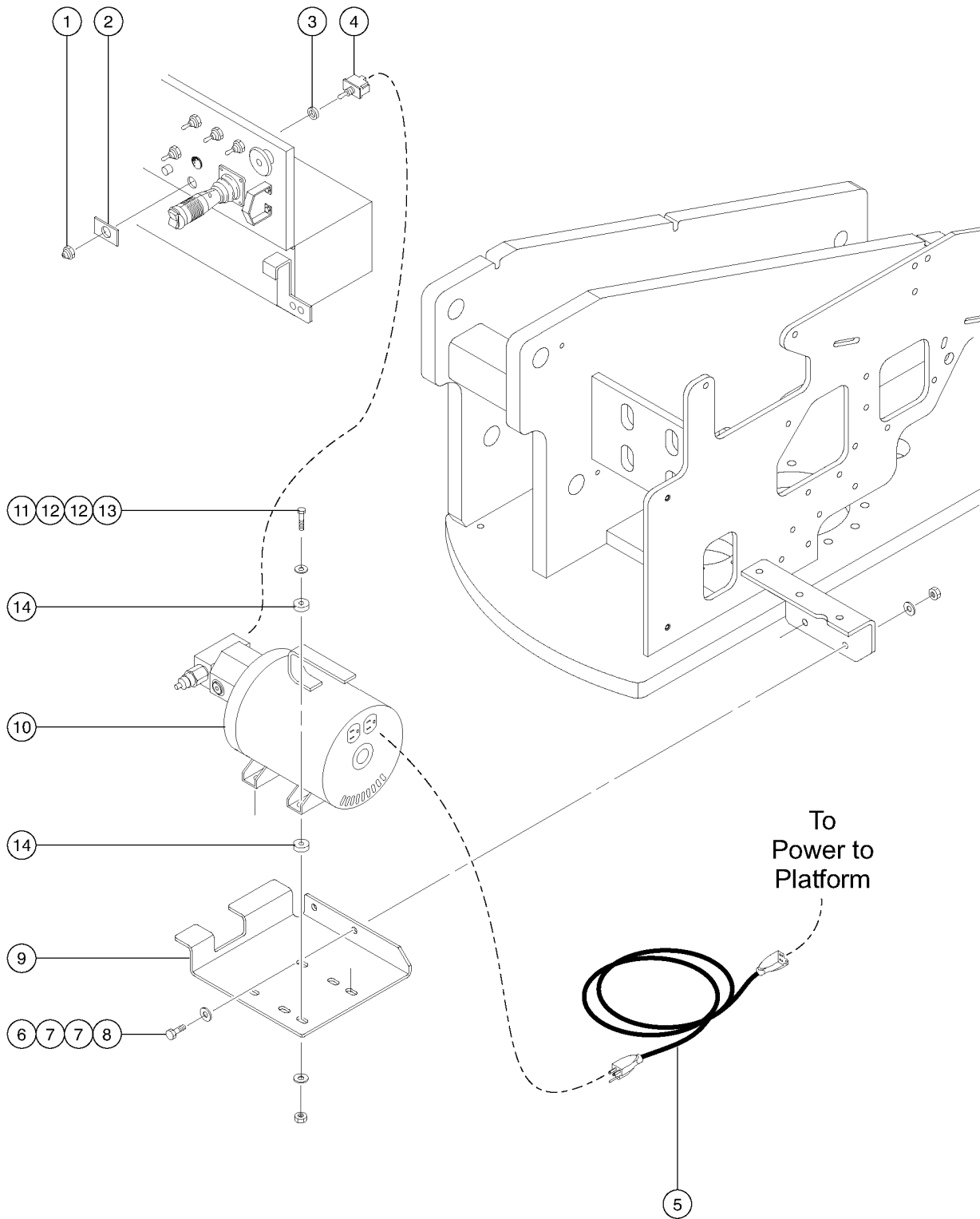
Deutz Diesel Engine



805.1 Cold Start Package - Ford and Deutz Engines

Item	Part No.	Description	Qty.
--	30502-SGT	COLD START PKG,DIESEL	
--	35609GT	COLD START PKG,FORD LRG	
1	35610GT	HEATER,FREEZE PLUG,FORD LRG423.....1 <i>Ford models</i>	
2	28853GT	BLANKET,BATTERY.....2 <i>Ford and Deutz Diesel models</i>	
3	13037-SGT	SWITCH,TOGGLE,SPDT,3POS MOMEN*.....1 <i>includes mounting fasteners; Deutz Diesel models</i>	
4	54692GT	SPACER,NYLON,.718 X .526 X.219.....1	
5	32726GT	DECAL,OPTION GLOW PLUGS***.....1 <i>Deutz Diesel models</i>	
6	27246GT	BOOT,TOGGLE SWITCH,SHORT*.....1 <i>Deutz Diesel models</i>	
7	31408GT	GLOW PLUG,L1011.....1 <i>Deutz Diesel models</i>	
8	6090GT	SCREW,HHC,1/4-20 X .75.....2 <i>Deutz Diesel models</i>	
9	6638GT	WASHER,FLAT,USS,1/4"Y.....4 <i>Deutz Diesel models</i>	
10	6091GT	NUT,NYLOCK,1/4-20.....2 <i>Deutz Diesel models</i>	
11	27155GT	SOLENOID,12V CONTINUOUS***.....1 <i>Deutz Diesel models</i>	

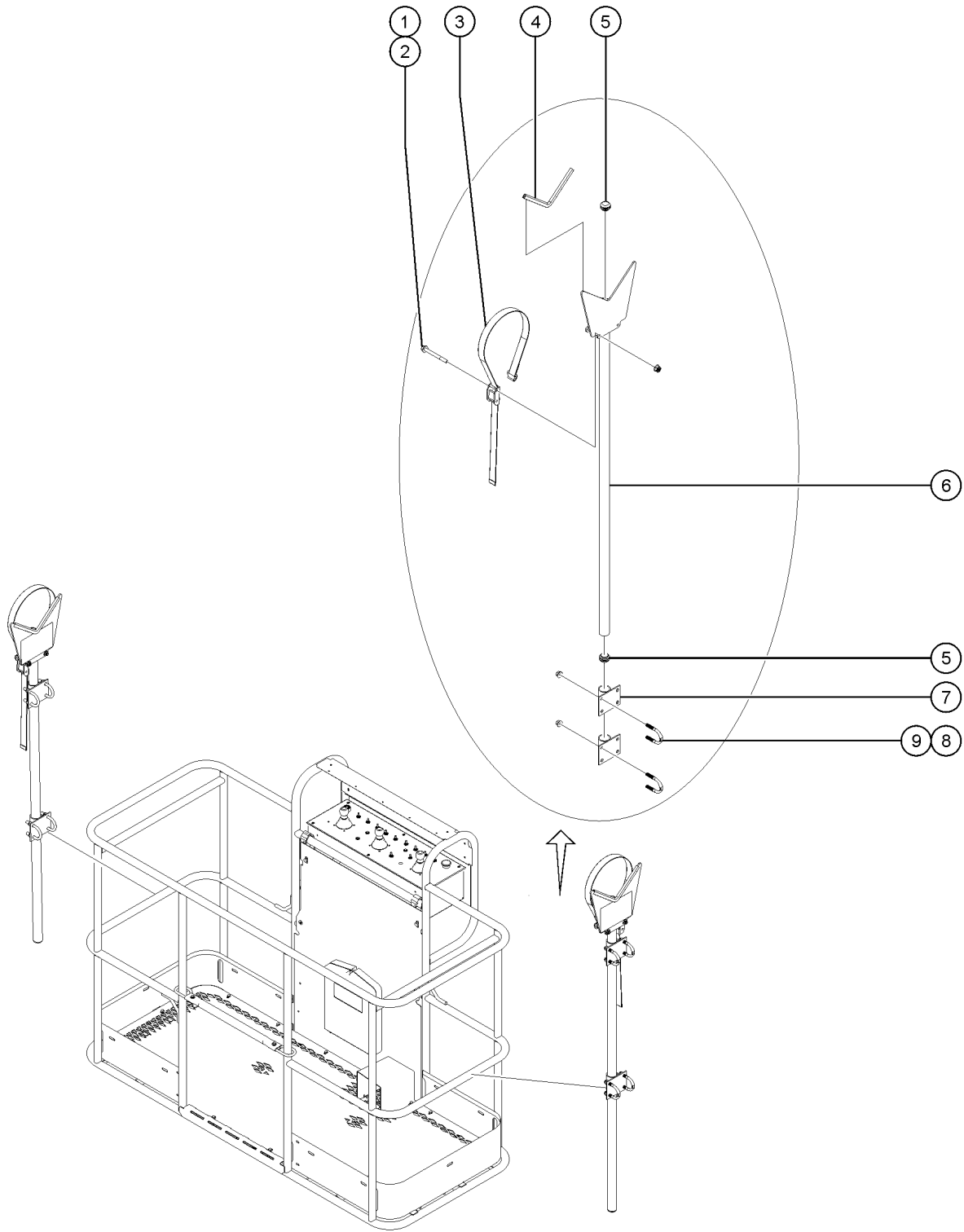
806.1 Generator Option



806.1 Generator Option

Item	Part No.	Description	Qty.
1	27246GT	BOOT,TOGGLE SWITCH,SHORT*.....1	1
2	32728GT	DECAL,OPTION GENERATOR***.....1	1
3	54692GT	SPACER,NYLON,.718 X .526 X.219.....1	1
4	56457-SGT	SWITCH,TOGGLE,SPDT,2 POS MAINT.....1 <i>includes mounting fasteners</i>	1
5	119403GT	CONN,PLUG 120 AC/15A DOMESTIC...1	1
5	119404GT	CONN,RECEP 120AC/15A DOMESTIC.....1	1
5	43956-7200GT	WIRE CABLE,14GA/3 CON.TPE JKT.....1	1
5	77247GT	POWER TO PLAT,CORD ASSY.....1	1
6	22788GT	SCREW,HHC,1/2-13 X 1.75.....2	2
7	6095GT	WASHER,FLAT,USS,1/2",Y.....4	4
8	6198GT	NUT,NYLOCK,1/2-13.....2	2
9	54207GT	BRACKET,MOUNTING.....1	1
10	54028GT	OPTION,GEN,3000W PARKER.....1 <i>includes rubber isolators</i>	1
10	54284GT	OPTION,GENERATOR,2500W HYD.....1 <i>includes rubber isolators</i>	1
11	13918GT	SCREW,HHC,3/8-16 X 1.75,GRD.8.....4	4
12	5397GT	WASHER,FLAT,USS,5/16",Y.....8	8
13	4828GT	NUT,NYLOCK,3/8-16.....4	4
14	84080GT	ISOLATR KIT,RUBBR,2KW GENERATR.....8	8

807.1 Pipe Cradle



807.1 Pipe Cradle

Item	Part No.	Description	Qty.
A	85300GT	PIPE CRADLE ASSY. SERV (ONE)** <i>(ANSI & CE only) (This is a single assembly. Qty 2 of 85300GT required to complete a set)</i>	
--	65630GT	INSTRUCTIONS-PIPE CRADLE,BOOMS	
1	824083GT	SCREW,HHF,1/4-20X2.5,8,ZAG.....4	
2	1277924GT	NUT,NYLOCK FLG,1/4-20,F,ZAG.....4	
3	56570GT	STRAP, CONDUIT HOLDER 60****2	
4	19018-1100GT	TRIMLOCK,BLACK,5/32".....2	
5	55753GT	BUMPER, PLASTIC, 1.25 O.D.....4	
6	56525GT	WELDMENT, PIPE CRADLE.....2	
--	72875GT	DECAL,WARNING,PIPE CRADLE,BOOM	
7	81368GT	WELDMENT,PIPE CRADLE MOUNT....4	
8	1251600GT	U-BOLT, FLATTENED, 1.5 X 3/8 UNC,ZAG.....8	
9	1274322GT	NUT,NYLOCK FLG,3/8-16,F,ZAG.....16	

Part Number Index

The Part Number Index is a numeric index of all part numbers included in this manual. The index shows what page(s) the part is used on.

Part Number	Page	Part Number	Page	Part Number	Page	Part Number	Page
101044GT	57-58, 71, 77, 83, 85	1274322GT	165	19440GT	15, 17, 37	25068GT	87
101726GT	89	1277924GT	165	19491GT	87, 113, 117, 119	25388GT	57-58
101727GT	89	1277991GT	67-68	19506GT	97	25548GT	67-68
102119GT	68	1279268GT	71, 85	19712GT	149, 151	25571P-SGT	67-68
102785PGT	155	128022GT	79	19718GT	149	25683GT	15, 37, 125, 127
102992GT	141	1280665GT	57-58	19720GT	149	25817GT	15, 17, 37
10587GT	113	128205GT	97, 145	19731GT	149	25836GT	99
10597GT	21-23, 41-43, 89, 139	128368GT	157	19859GT	68	25837GT	99
106117GT	22-23, 42-43	128446GT	87	20193GT	21-23, 39, 41-43	25881GT	147
106120GT	22-23, 42-43	128454PGT	137	20224GT	25, 45, 94	25882GT	147
106121GT	22-23, 42-43	128482GT	137	20262GT	141	25883GT	147
106122GT	22-23, 42-43	128483GT	137	20424GT	147	25884GT	147
106123GT	22-23, 42-43	128510GT	137	20424HGT	147	25926GT	27, 47
106124GT	22-23, 42-43	128513GT	137	20776GT	99	25929GT	79
106125GT	22-23, 42-43	128534GT	137	20880GT	57-58	25994GT	11-12
106126GT	22-23, 42-43	1286600GT	22-23, 42-43	21121GT	149	27010GT	67-68
106144GT	65	1286601GT	22-23	21130GT	27, 29, 47, 49, 73-74, 83	27033GT	145
106148GT	22-23, 42-43	1286602GT	22-23, 42-43	21141GT	89	27034GT	62, 71
106150GT	22-23, 42-43	1286603GT	22-23, 42-43	21143GT	21-23, 39, 41-43	27051GT	94
106403GT	23, 42-43	1286606GT	21-23, 39, 41-43	21143GT	21-23, 39, 41-43	27067GT	22-23, 42-43, 67-68, 74, 79
107727GT	111	1286607GT	21-23, 39, 41-43	21144GT	21-23, 39, 41-43	27089GT	61-62, 105
10775GT	143	128724GT	137	21145GT	21-23, 39, 41-43	27115GT	143
10777GT	143	12906GT	103	21146GT	21-23, 39, 41-43	27116GT	149
107803GT	57-58	13000GT	91	21148GT	21-23, 39, 41-43	27117GT	149
107858GT	155	13002GT	67-68, 155	21149GT	21-23, 39, 41-43	27126GT	57-58
110200GT	45, 94	13014GT	71, 85	21166GT	19	27133GT	149, 151
110304GT	71, 85	13037-SGT	97, 145, 161	21175GT	87	27134GT	149, 151
110345GT	89	13038-SGT	145	21434GT	149	27135GT	149
111526GT	155	13064GT	22-23, 39, 42-43, 57-58, 77, 87	21465GT	61-62, 105	27142GT	67-68
111634GT	67-68	13066GT	43	21496GT	27, 29, 47, 49, 73-74, 83	27155GT	161
112308GT	89	13268GT	89, 97, 145	21577GT	22-23, 42-43	27204GT	11-12
112379GT	89	13480-SGT	97, 99, 145	21618GT	145	27205GT	11-12
119055GT	67-68, 89	13585GT	143	216793GT	99	27206GT	11-12
119203GT	65	13852GT	125, 127, 129	219437GT	67-68, 71, 79, 85	27207GT	11-12
119210GT	21-23, 41-43	13918GT	57-58, 117, 163	21982GT	97	27211-0250GT	65
119403GT	57-58, 163	139599GT	115, 125, 127	220255GT	87	27246GT	97, 99, 145, 161, 163
119404GT	163	139624GT	73-74	22052GT	143	27377GT	101
119536PGT	137	139666GT	73-74	22279GT	68	27488GT	57-58
119542GT	137	139709GT	77	22364GT	147	27497GT	127
119795GT	155	14033GT	21-23, 27, 29, 41-43, 47, 49, 91	22365GT	147	27507GT	61-62
119798GT	89	144161GT	57-58	22366GT	147	27511GT	151
119867GT	143	146051GT	22-23, 42-43	22367GT	147	27524GT	149
119950GT	157	146052GT	22-23, 42-43	22368GT	147	27564GT	11-12
12011GT	121, 123	147094GT	97	22578GT	73-74	27586GT	89
12161GT	157	147210GT	87	226393GT	153	27596GT	94
122019GT	153	147211GT	87	22672GT	65	27759GT	94
122073GT	155	147212GT	87	22699GT	83, 85	27802GT	94
122079GT	139	147212GT	87	22700GT	62, 67-68, 71, 73-74	27804GT	94
122231GT	155	147223GT	89	22736GT	83, 85	27836GT	25, 45
122512GT	97	147283GT	127	22788GT	39, 67-68, 74, 79, 163	27887GT	159
122513GT	145	147285GT	15, 37	227988GT	67-68	27890GT	159
122514GT	97, 145	147355GT	81	22811GT	23, 42-43	27894GT	159
122755GT	139, 141	147369GT	125, 127	228457GT	81	27895GT	159
12343GT	97	1484GT	11-12	22965GT	67-68, 73-74, 79	27900GT	159
12344GT	143	1487GT	157	229798GT	17	27903GT	67-68
1251600GT	165	1488GT	157	23057GT	61-62, 65, 71, 79, 85	27915GT	77, 79
1254826GT	73-74	150103GT	117, 119, 125, 127	23083-SGT	57-58	27916GT	67-68, 77, 79
1255452GT	15, 37, 115	15086GT	71, 85	232486GT	22-23, 42-43	27943GT	71, 85
1255653GT	73-74	15243GT	143	233715GT	127	28076GT	77
1256267GT	111	16073GT	159	233716GT	125	28157GT	11-12
1259054GT	61-62, 65	16397-SGT	97, 145	233745GT	125, 127	28158GT	11-12
1260218GT	57-58	16584GT	73-74, 85	23680GT	147	28159GT	11-12
1262633GT	115	17712GT	103, 105	23688GT	147	28160GT	11-12
1263056GT	115	18503GT	67-68, 79	24037GT	71, 83, 85	28161GT	11-12
1263057GT	115	18504GT	61-62, 123	24038GT	71, 85	28164GT	11-12
1264947GT	57-58	18506GT	71, 85	24040GT	71	28165GT	11-12
1267779GT	19	18596GT	15, 17, 21-23, 37, 41-43	24165GT	67-68	28171GT	11-12
1267780GT	21-23	18665GT	99	24470GT	68	28174GT	11-12
1267781GT	19	18963GT	153	24495GT	149	28175GT	11-12
1267782GT	21-23	19018-1100GT	165	24495HGT	149	28177GT	11-12
1267807GT	57-58	19207GT	94	24552GT	61-62	28181GT	11-12
1268229GT	57-58	19274GT	143, 145			28235GT	11-12
1268GT	11-12					28236GT	11-12

Part Number	Page	Part Number	Page	Part Number	Page	Part Number	Page
28301GT	101	33278GT	129, 139	43018GT	125, 127	48904GT	25, 31, 33, 35,
28322GT	155	33418GT	77	43166GT	125, 127		45, 51, 55, 87,
28323GT	155	33428GT	87	43181GT	143, 145		107, 109, 131,
28328GT	155	33432GT	39	43595GT	11-12		133
28329GT	155	33521GT	45	43599GT	45, 94	48905GT	35, 45, 51, 55,
28646GT	57-58	33555GT	101	43601GT	25, 45, 94, 123		94, 107, 109,
28647GT	61-62, 65	33629GT	143	43647GT	11-12		123, 133
28656GT	61-62, 65	33724GT	143	43663GT	11-12	48906GT	31, 33, 51
28713GT	61-62, 65	33729GT	73-74	43683GT	87	48907GT	25, 31, 33, 107,
28717GT	67-68, 71	33802GT	57-58	43687GT	89		109, 131
28750GT	25, 45, 93-94	33952GT	11-12	43688GT	89	48909GT	35, 55
28853GT	161	33957GT	61-62, 65	43955GT	99, 143	48911GT	35, 55, 107
29073GT	73-74, 83	33960GT	62, 65	43956-7200GT	163	48912GT	31, 33, 35, 51,
29080GT	117, 119	33963GT	62, 65	43956GT	57-58, 143		55, 107, 131, 133
29436GT	67-68, 74, 79	33964GT	62, 65	43957GT	143	48914GT	35, 55
29555GT	77	33965GT	62, 71	43959GT	143	48916GT	94, 107, 109,
29557GT	73-74	33966GT	62, 65	43960GT	99, 113, 141		131, 133
29559GT	73-74	33968GT	62, 65	44064GT	73-74, 83, 85	48917GT	131, 133
29560GT	73-74	33969GT	71	44211GT	147	48918GT	131, 133
29606GT	67-68	33970GT	62, 65	44212GT	147	48919GT	51, 133
29616GT	67-68	33972GT	62, 65	44221GT	147	48922GT	107, 109
29739GT	42-43, 67-68,	33988GT	67-68	44586GT	57-58	48923GT	131, 133
	74, 79	34052GT	97	44743GT	141	48930GT	35, 51, 55, 107,
29749GT	79	34053GT	97	44769GT	12		131, 133
29764GT	139	34054GT	97	44828GT	87	48932GT	25, 31, 33, 35,
29883GT	22-23, 39, 42-	34055GT	97	44829GT	87		107, 109
	43, 57-58	34056GT	97	44936GT	143	48933GT	25, 31, 33, 35,
30080GT	11-12	34059GT	73-74	44981GT	11-12		45, 51, 55, 107,
30138GT	57-58, 117, 119	34125GT	117, 119	44986GT	11-12	48935GT	109, 131, 133
30219GT	125, 129	34162-800GT	68	45043GT	19		31, 33, 51, 107,
30221GT	111	34245GT	127	45071GT	15, 17, 21-23,		131, 133
30222GT	127	34265GT	77		37, 41-43, 111	48936GT	45, 51, 55
30255GT	117, 119, 127	34276GT	115	45074GT	15, 17, 37	48939GT	51
30286GT	139	34321-SGT	155	45112GT	19	48946GT	51, 107, 109
30370GT	115	34619GT	155	45113GT	19	48947GT	107
30438GT	73-74	35434GT	62	45114GT	19	48948GT	31, 33, 51, 109
30502-SGT	161	35586GT	77	45161GT	89	48959GT	107
30785-1000GT	73-74, 83	35609GT	161	45171GT	71	48960GT	25, 31, 33, 35,
30785-500GT	29, 49	35610GT	161	45363GT	101, 103, 105		45, 51, 55
30785-600GT	27, 47	35817GT	68	45383GT	143	48961GT	107, 109
30806GT	73-74	35818GT	68	45384GT	97, 145	48962GT	107, 109
30810GT	65	35934GT	99, 143	45385GT	155, 157	48965GT	107
30971GT	61-62, 65, 68,	35956GT	155	45437GT	143	48977GT	109
	77, 79	35960GT	155	45454GT	71	48978GT	107, 109
30973GT	58	36198GT	15, 37	45462GT	153	48985GT	107, 109
30996GT	23, 145	36203GT	67-68	45782GT	73-74, 99	48986GT	107, 109
30997GT	97, 143	36208GT	65	45873GT	19	48992GT	107
31060GT	11-12	36294GT	129	45912GT	25, 45, 94, 123,	48994GT	107, 109
31100GT	94	36872GT	57-58		129	48997GT	94
31249GT	67-68, 74	36985GT	67-68	46131GT	61-62, 65, 67-68	49000GT	89
31283GT	151	37002GT	67-68	46272GT	151	49105-35682-SGT	131
31406GT	25, 45	37003GT	73-74	46674GT	67-68, 74	49107-3063GT	33
31408GT	161	37017GT	67-68	47186GT	77	49107-3463GT	31, 51
31498GT	125, 127	37097GT	21-23, 39, 41-43	47228GT	91	49107-3863GT	31, 51
31523GT	77	37505GT	77, 83, 85	47377GT	125, 127	49108-2329GT	109
31526GT	149, 151	37947GT	97	4828GT	15, 17, 21-23,	49109-7729GT	109
31527GT	94	37948GT	151		37, 41-43, 57-	49110-2092GT	73-74
32150GT	11-12	37950GT	77		58, 71, 77, 83,	49110-2992GT	33
32151GT	11-12	38113GT	22-23, 42-43		85, 89, 91, 101,	49110-3392GT	31, 51
32309GT	62, 65	38156GT	89		103, 105, 111,	49110-7592GT	51
32399GT	15, 17, 37	38620GT	117, 119		117, 119, 125,	49117-10191GT	133
32611GT	67-68, 74, 79	38922GT	67-68		127, 137, 139,	49117-11091GT	33
32637GT	143	39345GT	125, 127		141, 143, 163	49117-14391GT	31, 51, 131, 133
32638GT	143	39478GT	89	48401GT	17	49117-2091-SGT	35, 55
32639GT	143	39591GT	143	48471GT	61-62	49117-2591GT	33
32675GT	39	39877GT	107	48477GT	61-62	49117-3191GT	35, 55
32681GT	27, 29, 47, 49	40434GT	11-12	48751-463GT	121, 123	49117-3791GT	35, 55
32695GT	73-74	41912GT	22-23, 42-43	48880GT	25, 45, 94	49117-4291GT	33
32698GT	77	41918GT	22-23, 42-43	48885GT	57-58	49117-4391GT	31, 51
32726GT	11-12, 161	41921GT	22-23, 42-43	48890GT	31, 33, 51, 131	49117-5091GT	31, 51
32728GT	12, 163	41922GT	22-23, 42-43	48891GT	31, 33, 35, 51, 55	49117-5191GT	33
32975GT	94	42079GT	87	48894GT	51	49117-5891GT	31, 51
33024GT	67-68, 73-74	42104GT	157	48899GT	107, 109	49117-9091GT	133
33239GT	77	42360GT	23, 42-43			49118-3808GT	35, 55
33247GT	37	42502GT	57-58			49118-4408GT	51
33277GT	79	4266GT	27, 29, 49, 113			49118-5908-SGT	51

Part Number Index (continued)

Part Number	Page	Part Number	Page	Part Number	Page	Part Number	Page
49119-1278GT	131, 133	49917GT	73-74	50748PGT	121	52711GT	93-94
49119-16178GT	131, 133	49919GT	73-74	50750GT	123	52712GT	94
49119-2078GT	33, 133	49921GT	73-74	50754PGT	91	52713GT	94
49119-21978GT	133	49923GT	73-74	50761GT	73-74	52715GT	94
49119-2278GT	131, 133	49924GT	73-74	50762-SGT	91	52716GT	94
49119-23478GT	133	49929GT	73-74	50764PGT	71	52717GT	94
49119-26478GT	131	50028PGT	19, 89	50768PGT	23	52718GT	94
49119-27978GT	131	50293GT	139	50776PGT	87	52720GT	45
49119-3078GT	31, 51	50304GT	119	50787-SGT	73-74	52723GT	45
49119-36178GT	131, 133	50315GT	117	50789PGT	101	52724GT	45
49119-37678GT	131, 133	50328-SGT	15, 17, 37	50794GT	57-58	52726GT	25, 45
49119-3778GT	133	50355-SGT	23, 43	50799GT	61-62	52727GT	21-23, 41-43
49119-38578GT	131, 133	50404GT	143	50900GT	15, 37	52728GT	113, 115
49119-39378GT	131, 133	50405GT	143	50901GT	37	52729GT	113
49119-5078GT	107, 109	50406GT	89	50919GT	19, 21-23, 39	52731GT	19, 39
49119-5178GT	109	50411GT	87	50920GT	19, 21-23, 39,	52732GT	21-23
49119-9778GT	35, 55	50412GT	87		41-43	52733-SGT	15, 17
49120-16181GT	131, 133	50413GT	87	50925PGT	71	52734-SGT	15, 17
49120-21981GT	133	50414GT	87	50937GT	91	52735GT	17
49120-23481GT	133	50416PGT	89	50941GT	77	52738GT	113
49120-35381GT	131, 133	50419GT	42-43	50943GT	19	52739GT	15, 17, 37
49121-18588GT	133	50420GT	22-23	50944GT	19	52740GT	113
49121-2088GT	133	50423PGT	91	50945GT	58	52741GT	113
49121-25688GT	131	50427GT	57-58	50947GT	37	52742GT	113
49121-27788GT	133	50437PGT	71	50952-SGT	113	52743-SGT	139
49126-2733GT	107, 109	50446GT	67-68	50954GT	19	52744GT	115
49133-5140GT	51	50447GT	87	50955GT	19, 21-23, 39,	52745GT	115, 125, 127
49141-2463GT	107, 109	50451GT	123		41-43	52750-SGT	141
49141-5863GT	51	50452GT	121	50965PGT	103, 105	52751-SGT	141
49143-3029GT	33	50455GT	111	50971GT	103, 105	52752-SGT	157
49143-3729GT	31, 35, 51, 55	50457GT	125	50974GT	101	52753-SGT	157
49143-4229GT	31, 51	50460GT	111	50976PGT	71	52756GT	57-58
49149-10826GT	107, 109	50466-SGT	127	50979PGT	71	52757GT	117, 119, 127
49149-1726GT	109	50469GT	87	50985GT	77	52758GT	111
49150-3930GT	107	50479-SGT	113	50989GT	77	52759GT	15, 37
49151-7548GT	107	50480GT	127	50995GT	77	52762GT	62, 65, 67-68
49151-8248GT	109	50481GT	111	50996GT	77	52764GT	99
49156-10856GT	107, 109	50487PGT	123	51063GT	87	52765-SGT	143
49159-4618GT	107, 109	50517-SGT	113	51131GT	77	52766GT	87
49164-5743GT	107	50519GT	57-58	52076GT	62, 65	52767GT	87
49177-2094GT	73-74	50530GT	57-58	52077GT	62, 65	52768GT	58
49183-2692GT	33	50542GT	115	52078GT	62, 65	52770GT	87
49183-4092GT	31, 51	50543GT	125, 127	52087GT	22-23, 39, 42-43	52772GT	87
49207GT	25, 45	50546GT	117, 119, 127	52179GT	61-62, 105	52773GT	101
49386GT	61-62	50548PGT	113	52230GT	12	52774-SGT	103, 105
49407GT	73-74	50552GT	117, 119	5224GT	15, 137	52775GT	147
49408GT	62, 65, 79, 85	50560GT	15, 37	52251GT	12	52776GT	147
49411GT	83, 85	50564GT	74	52353GT	73-74	52777GT	147
49612GT	25, 31, 33, 35, 45, 51, 55, 93- 94, 107, 109, 131, 133	50569PGT	91	52447GT	11-12	52781GT	117
49613GT	25, 31, 33, 35, 45, 51, 55, 93- 94, 107, 109, 131, 133	50570GT	91	52511GT	11-12	52782GT	119
49693GT	101, 105	50572GT	99	52537GT	73-74, 83	52783GT	87
49735GT	61-62	50574GT	62	52564GT	67-68	52784GT	11-12
49736GT	61-62	50576GT	87	52566GT	61-62, 65	52943GT	123, 129
49740GT	67-68	50579PGT	77	52570GT	61-62, 65	52968GT	11-12
49741GT	11-12	50580-SGT	101	52573GT	62, 65	53073GT	151
49768GT	27, 29, 47, 49	50581PGT	101	52575GT	62, 65	53073HGT	151
49770GT	67-68, 74, 79	50584GT	117, 119	52577GT	61-62	53157-SGT	155
49772GT	113	50588GT	71	52579GT	61-62, 65	53517GT	141
49775GT	117, 119	50630PGT	91	52580GT	62, 65	53527GT	89
49816GT	101, 103, 105	50667GT	21-23, 41-43	52585GT	151	53538GT	73-74
49817GT	23, 61-62, 65	50668GT	21-23	52586GT	151	53605GT	89
49820GT	143	50669GT	21-23, 41-43	52587GT	151	5365GT	29, 49
49826GT	97	50676GT	127	52588GT	151	53808-SGT	155
49859GT	31, 33	50683GT	93-94	52589GT	151	53808GT	155
49863GT	73-74	50685GT	25	52591GT	151	53821PGT	65
49866GT	143	50692GT	123	52592GT	62	53832GT	67-68
49881GT	62, 65	50696PGT	57-58	52607GT	11-12	53910GT	67-68
49887GT	147	50698GT	117, 119	52652GT	61-62, 65	53952GT	67-68, 77, 79
49898GT	61-62, 65	50705GT	71	52656GT	61-62, 65	5397GT	15, 17, 21-23, 27, 29, 37, 41- 43, 47, 49, 57- 58, 71, 77, 83, 85, 89, 91, 101, 103, 105, 111, 121, 123, 125,
49915GT	77	50709PGT	71	52658GT	67-68, 77, 79		
		50710PGT	71	52672GT	11-12		
		50717PGT	67-68	52704-SGT	37		
		50742GT	15, 37	52705-SGT	37		
		50743GT	123	52706-SGT	15, 17, 37		
		50744GT	58	52707-SGT	21-23, 41-43		
		50747GT	121	52710GT	93-94		

Part Number Index (continued)

Part Number	Page	Part Number	Page	Part Number	Page	Part Number	Page
	127, 139, 141,	54490GT	93-94	54922PGT	91	60083GT	19
	155, 163	54510-SGT	129, 139	54926GT	19	60084GT	19, 21-23, 39,
54028GT	163	54516GT	97	54927GT	19		41-43
54056-SGT	61-62	54517GT	85	54928GT	19	60085GT	19, 21-23, 39,
54058GT	99	54517PGT	83	54929GT	19		41-43
54062GT	57-58	54518GT	85	54932GT	157	60139GT	89
54063GT	117, 119	54519PGT	83	54946GT	147	60143-SGT	89
54065GT	125, 127	54520-SGT	139	54953-3408GT	57-58	6019GT	57-58, 85, 89,
54066GT	57-58	54525GT	97, 145	54955GT	145		97, 117, 119,
54073GT	103, 105	54527-SGT	127	54959GT	19		127, 141
54077-36981-SGT	133	54530GT	117, 119	54960GT	19	6021GT	15, 17, 21-23,
54077-38481-SGT	133	54531PGT	61-62	54961GT	19		27, 29, 37, 41-
54083-14408-SGT	33	54534GT	97	54962GT	19		43, 47, 49, 57-
54083-4408GT	31	54535PGT	79	54974GT	101, 103, 105		58, 67-68, 74,
54085-8218GT	107	54538GT	83, 85	54981GT	121		79, 87, 89, 91,
54086-7068GT	107	54542GT	15, 17, 21-23,	54983GT	123		101, 113, 115,
54088-3438GT	57-58		37, 41-43	54984PGT	123		117, 119, 129,
54089-4761-SGT	107	54543GT	85	54985PGT	121		137, 139, 143
54120GT	57-58	54546GT	85	54994GT	127	6024GT	77
54123GT	61-62, 89	54547GT	79	55753GT	103, 105, 165	60334GT	58
54124GT	89	54553GT	83	56057GT	99	6033GT	21-23, 39, 41-
54131GT	119	54556GT	79	56100GT	97		43, 67-68, 73-
54132GT	35, 55, 131	54557GT	15, 17, 23, 37, 43	56234GT	97		74, 79, 89, 111,
54138GT	19	54567GT	15, 37	56338GT	22-23, 41-43		113, 139
54139GT	19, 21-23	54569GT	119	56424GT	141	6036GT	57-58
54140GT	19, 21-23	54570GT	117	56457-SGT	163	6037GT	73-74, 85
54142GT	19	54572GT	25, 45	56525GT	165	60428GT	141
54145-800GT	87	54578GT	85	56570GT	165	60857GT	57-58
54146GT	101	54579GT	85	56680GT	23, 87	6090GT	23, 57-58, 61-
54156GT	111	54581GT	85	56704GT	153		62, 67-68, 71,
54157GT	119	54582PGT	79	56848GT	145		73-74, 79, 83,
54160GT	89	54583PGT	79	56900GT	87		85, 89, 91, 97,
54165GT	157	54584GT	85	56912GT	19, 21-23, 39,		99, 101, 105,
54166GT	101	54585GT	85		41-43, 89, 137,		137, 141, 145,
54167GT	101	54591GT	71		141		161
54168GT	113	54598PGT	71	56925GT	129, 139	6091GT	23, 57-58, 61-
54189GT	71, 85	54599PGT	71	56927GT	91		62, 71, 73-74,
54205GT	89	54601PGT	85	56929GT	125, 127		79, 83, 85, 89,
54207GT	163	54602PGT	85	57075GT	71, 85		91, 99, 101, 103,
54209GT	61-62, 67-68	54608GT	71	58209GT	147		105, 113, 117,
54217GT	67-68, 74, 79	54608PGT	101	58246GT	22-23		119, 121, 123,
54222GT	67-68, 74, 79	54610GT	19, 21-23, 39,	58247GT	67-68		125, 127, 129,
54230PGT	103, 105		41-43	58256GT	73-74		137, 155, 157,
54233GT	103, 105	54611GT	19, 21-23, 39,	58320GT	22-23, 42-43		161
54234GT	19, 21-23		41-43	58354GT	81	60922GT	141, 155
54237GT	19	54612GT	19, 21-23, 39,	58428GT	22-23, 42-43	6095GT	71, 83, 85, 87,
54239GT	113		41-43	58438GT	21-23, 39, 41-43		89, 91, 113, 163
54244-SGT	57-58	54613GT	19, 21-23, 39,	58448GT	22-23, 41-43	6096GT	71, 73-74, 91
54251GT	57-58		41-43	58477GT	151	6097GT	57-58, 77, 85,
54252GT	57-58	54614GT	19, 21-23, 39,	58589GT	22-23, 39, 41-43		89, 91, 101, 113,
54280GT	77		41-43	58598GT	65		117, 119, 143
54282GT	77	54616GT	71, 101	58599GT	65	61306-SGT	127
54284GT	163	54627GT	19, 21-23, 39,	58900GT	61-62, 65	6145GT	103, 105, 125,
54288PGT	91		41-43	58917GT	67-68, 77, 79		155
54289GT	91	54633GT	143	58919GT	121, 123	6146GT	23, 29, 49, 61-
54301GT	73-74	54687GT	83, 85	58920GT	121, 123		62, 71, 85, 87,
54302GT	111	54690GT	71	58923GT	151		97, 101, 103,
54319-1404GT	107	54691GT	71	58927GT	121, 123		105, 153
54331GT	111, 115	54692GT	97, 99, 145, 161,	58967GT	61-62, 105	6175GT	15, 17, 21-23,
54356GT	71		163	59076GT	15, 17, 37		37, 41-43, 57-
54363GT	101	54699GT	45	59169GT	15, 17, 37		58, 67-68, 77,
54365GT	145	54700GT	25	59263GT	115		79, 85, 91, 101,
54368GT	129	54701GT	129	59389GT	115		113, 115, 125,
54380GT	143	54723GT	101	59444GT	111		143
54411GT	42-43	54726GT	111	59445GT	115	6178GT	61-62, 65, 87,
54412GT	22-23	54738GT	111, 115	59579GT	85		97, 101, 103,
54428GT	73-74	54740-35384GT	133	60032PGT	123		105, 113, 117,
54432GT	57-58	54740-35684-SGT	131	60036GT	68, 79		119, 145, 153
54437GT	89	54740-38584GT	131, 133	60047-SGT	153	6198GT	71, 83, 85, 87,
54457GT	157	54790GT	73-74	60059GT	19, 21-23, 39,		89, 91, 163
54458GT	157	54815GT	45		41-43		
54460GT	121	54822GT	73-74	60074PGT	113	62258GT	94
54461GT	123	54826GT	99	60077GT	77	62506GT	125, 127
54465GT	157	54830GT	121, 123	60078GT	57-58	62507GT	125, 127
54486GT	103, 105, 155	54840GT	19	60081-SGT	57-58	62509GT	125, 127
54487PGT	71	54862GT	62, 65, 71	60082GT	19	62926GT	11-12
						62927GT	11-12

Part Number Index (continued)

Part Number	Page	Part Number	Page	Part Number	Page	Part Number	Page
62947GT	11-12	6833GT	71, 79, 85, 103,	77066GT	89	81631GT	65
62948GT	11-12		105, 113	77067GT	153	81640GT	137
6326GT	111	6884GT	103, 105, 123	77069GT	89	81691GT	29, 49
63426GT	67-68, 73-74	6886GT	71, 73-74, 79,	77070GT	89	8177GT	89, 111, 113
63427GT	67-68		155	77071GT	89	82000GT	11-12
6356GT	19, 21-23, 27,	6888GT	19, 21-23, 39,	77072GT	89	82001GT	11-12
	29, 39, 41-43,		41-43, 57-58,	77079GT	73-74	82002GT	11-12
	47, 49, 57-58,		73-74, 89, 91,	77106GT	117, 119	82003GT	11-12
	61-62, 67-68,		99, 101, 113	77114GT	61-62	82366GT	11-12
	89, 91, 97, 125,	6889GT	23, 43, 57-58,	77136GT	143	824050GT	87
	127, 141, 155		91, 99, 103, 105,	77137GT	85, 111, 121,	824051GT	87
65301GT	11-12		113, 123, 145,		123, 141	824052GT	87
65449GT	45		155	77152GT	23	824083GT	165
65454GT	65	6935GT	57-58, 99, 143	77153GT	43	824164GT	117, 119, 127
65455GT	61-62	70375GT	77	77153PGT	23	824879GT	97, 145
65456GT	65	70453GT	73-74	77155GT	99	825019GT	15, 17, 21-23,
65534GT	22-23, 42-43	7057GT	99, 143	77162GT	25		37, 41-43, 115,
65535GT	147	70655PGT	23	77163GT	25		117, 119, 125,
65536GT	147	71909GT	105	77165PGT	67-68		127
65542GT	79	72047GT	94	77166GT	65	8255GT	58, 87, 89, 117,
65600GT	94	72085GT	11-12	77170GT	71		119, 137
65606GT	23, 42-43	72245GT	147	77181GT	137	825796GT	15, 17, 37
65607GT	23, 42-43	72255GT	73-74	77183GT	11-12	83005GT	123, 129
65608GT	23, 42-43	72256GT	101	77186GT	94	83006GT	123, 129
65618GT	23, 42-43	72282GT	153	77189GT	115	83020GT	131
65630GT	165	72307GT	22-23, 42-43	77191PGT	77	83042GT	125, 127
65633GT	117	72319GT	22-23, 42-43	77218GT	93-94	83110GT	22-23
65634GT	119	72326GT	143, 153	77219GT	61-62, 105	8357GT	71, 83, 85
65636GT	79	72327GT	71, 85	77239GT	23, 42-43	84080GT	163
65637GT	79	72339GT	81	77240GT	23, 42-43	8516GT	57-58, 71, 77,
65638GT	79	72340GT	81	77243GT	21-23, 41-43		83, 89, 91, 101,
65639GT	79	72342GT	81	77246GT	87		119, 125, 127,
65766GT	25, 45, 94, 123	72343GT	85	77247GT	163		139
65770GT	61-62, 65	72348GT	79	77248GT	143	85300GT	165
65788GT	117	72350GT	83	77250GT	129	88203GT	111
65789GT	127	72441GT	12	77252GT	73-74	88244GT	89
65790GT	119	72442GT	11-12	77295GT	67-68	88269GT	58
65791GT	15, 37	7265GT	157	77302GT	21-23	88289GT	93-94
65810GT	77, 79	72867GT	12	77303GT	111	88337GT	15, 17, 37
65815GT	77, 79	72875GT	165	77309GT	51	88338GT	15, 17, 37
65827GT	151	73233GT	141	77311-5906GT	51	88356-11103GT	87, 113, 117, 119
65842GT	125, 127	7339GT	113, 155	77312-3577GT	51	88370GT	113
6584GT	29, 49	73477PGT	141	77328PGT	103, 105	8843GT	143
65865GT	22-23	73575GT	141	77353GT	89	88451GT	61-62, 65
65887GT	105	73587GT	141	77354GT	89	88455GT	61-62
65888GT	105	73599GT	89	77355GT	61-62	88606PGT	155
65892GT	105	73610PGT	141	77356GT	105	88607PGT	155
66031GT	85	73739GT	141	77362GT	115	88636-9073GT	35, 55
6605GT	111	73805GT	97	77363GT	125, 127	88752GT	15, 17, 37
6622GT	143	73807GT	125, 127	77364GT	115, 125, 127	88917GT	89
6637GT	47, 57-58, 117,	73931GT	141	77365GT	89	8910GT	57-58
	119	73954PGT	141	77375GT	117, 119	8914GT	155, 157
6638GT	19, 21-23, 27,	74099GT	22-23, 41-43	77376GT	117, 119	8915GT	57-58, 101, 127,
	29, 39, 41-43,	74375GT	22-23, 42-43	77379GT	73-74		137
	47, 49, 57-58,	74389GT	15, 17	77409GT	15, 37	89312GT	94
	61-62, 67-68,	74714GT	22-23	77410GT	117, 119	89763GT	81
	71, 73-74, 79,	74911GT	99	77411GT	94	89771GT	79
	83, 85, 89, 91,	74990GT	45	77434GT	19	89772GT	79
	97, 99, 101, 103,	75041GT	153	7746PGT	155	89773GT	79
	105, 113, 117,	75073GT	101, 103, 105	77476GT	81	89785GT	73-74
	119, 121, 123,	75076GT	101, 103, 105	77478GT	81	94077GT	57-58
	125, 127, 129,	75574GT	35, 55	77481GT	81	94526GT	89
	137, 141, 145,	77008GT	123, 129	77482GT	81	94529GT	113
	155, 157, 161	77013GT	23	77483GT	81	94530GT	113
66811GT	97	77014GT	115	77484GT	81	94531PGT	113
66812GT	97, 145	77020GT	43	77485GT	81	94745PGT	155
66813GT	145	77020PGT	23	77521GT	111	94762GT	79
66814GT	97	77024PGT	23	77522GT	99	94880GT	23, 42-43
66815GT	145	77026GT	23	77524GT	103, 105	94922GT	61-62
66816GT	97, 145	77027GT	23	77692GT	129, 139	9599-SGT	155
66818GT	97, 145	77036GT	121, 123	77990GT	67-68, 74, 79	97128GT	87, 113, 117, 119
66821GT	97, 145	77042GT	61-62, 65	79456GT	137	97887GT	11-12
6708GT	15, 17, 21-23,	77046GT	11-12	81043GT	94, 123, 129	97890GT	11-12
	37, 41-43	77048GT	101, 103, 105	81175GT	127	9990074GT	22-23, 42-43
6782GT	57-58, 91, 101	77051GT	129, 139	81368GT	165	T107284GT	29, 49
		77061GT	97	81578GT	91	T107883GT	127

Part Number	Page
T107884GT	125, 127
T108075GT	125, 127
T111453GT	29, 49
T114678GT	73-74

Part Description Index

The Part Description Index is an alphabetical index of all part descriptions included in this manual. The index shows what page(s) the part is used on.

A

- ACTUATOR, FORD EFI PRECISION.....61-62, 65
 ADAPTER (53073,52591) **.....151
 ADAPTER,LP VENTURI.....61-62
 ADAPTER,THROTTLE ACTUATOR***.....61-62
 AIR CLEANER.....77, 79
 AIR CLEANER CAP/ FORD/NOLFF***.....67-68
 AIR CLEANER,FORD EFI***.....67-68
 AIR CLEANER,FORD,T3.....67-68
 AIR HORN,NOLFF MIXER,ALUMINUM*.....65
 AIR VALVE MIXER.....65
 ALARM PKG,ACC,Z45 IC.....153
 ALARM,CHIME TONE 5-25VDC***.....153
 ALARM,INTERMITTENT TONE 6-30V*.....153
 ALARM,WARBLE TONE 5-30 VDC***.....143
 ALTERNATOR, DEUTZ F3L10/F4L10*.....77
 ALTERNATOR, PERKINS (54555).....81
 ALTERNATOR,LRG-423 RE-BUILT*.....62, 65
 ANGLE,PRIM BOOM REST,NONJIB,PA.....91
 ANGLE,RELAY MNT,W/NUTSERTS,PNT.....97
 ASSEMBLY, AUX POWER UNIT, 12VD.....89
 ASSEMBLY,FOOT SWITCH**.....141
 ASSY, CIRCUIT BREAKER 15A.....97
 ASSY, MED. PRESS. FILTER, SAE8.....57-58
 ASSY,RELAY SOCKET, AUTO.....97
 AUX TOP RAIL,6' PLATFORM.....155
 AUX TOP RAIL,6'(1.25")SERVICE.....155
 AXLE ASSY,NON-STR,NARROW BASE.....21-23
 AXLE ASSY,NON-STR,WIDE BASE.....21-23, 41-43
 AXLE COVER, NARROW, PAINTED.....23
- B**
- BACKING PLATE, HOSE BLOCK, JIB.....137
 BAFFLE, AIR CLEANER (27915)**.....77, 79
 BAFFLE,RAD. FRNT,FORD,.....71
 BALL STUD**.....101
 BAR,AXLE ROTATION STOP,NON-OSC.....21-23
 BAR,AXLE ROTATION STOP,OSC.....21-23, 41-43
 BASE, W/1 N.O. CONTACTS***.....145
 BASE,W/2 NC CONTACTS***.....97
 BASE,WITH 2 N.O. CONTACTS***.....97
 BASE,WITHOUT CONTACTS.....97, 145
 BATTERY CABLE ASSY,NEG,42".....57-58
 BATTERY CABLE ASSY,POS,60".....57-58
 BATTERY CABLE,SIDE MOUNT,NEG.....57-58
 BATTERY CABLE,SIDE MOUNT,POS.....57-58
 BATTERY CABLE,SIDE MOUNT,POS.....57-58
 BATTERY HOLD DOWN.....57-58
 BATTERY, 12V,900 CCA.....57-58
 BEARING KIT.....23, 42-43
 BEARING KIT (45553) TORQUE HUB.....21-23, 39, 41-43
 BEARING KIT, AUSCO***.....23, 42-43
 BEARING KIT,4HP.....22-23, 42-43
 BEARING KIT,BRAKE,MICO.....22-23, 42-43
 BEARING KIT,ROTATOR,4.5K***.....125, 127
 BEARING KIT,ROTATOR,9K***.....125, 127
 BEARING KIT,TORQUE HUB (20193).....21-23, 39, 41-43
 BEARING KIT,WHEEL DRIVE (106148/106445/107712).....22-23
 BEARING KIT,WHEEL DRIVE W/BRAKE (101584/101585).....22-23, 42-43
 BEARING KIT-74097 TORQUE HUB*.....22-23
 BEARING NUT***.....22-23, 42-43
 BEARING,1.00IDX1.25ODX1.00L.....15, 17, 37
 BEARING,1.25 ID X 1.5 OD X .75.....125, 127
 BEARING,1.25IDX1.50ODX1.50L.....15, 37
 BEARING,1.25IDX1.50X1.25L.....127
 BEARING,1.25IDX1.50DX1.00L.....115
 BEARING,1.5IDX1.75ODX1.5L.....15, 17, 21-23, 37, 41-43, 111
 BEARING,1.75IDX2.00ODX1.50LG.....111
 BEARING,BRK,MICO **.....87
 BEARING,FL,1.25ID X 1.41OD X 1.....125, 129
 BEARING,FL,1.25IDX1.41ODX1.50L.....127
 BEARING,FL,1.5IDX1.75ODX1.10LG.....111
 BEARING,INNER,9 BOLT HUB***.....19
 BEARING,OUTER,9 BOLT HUB***.....19
 BEARING,POLYGON,20DU12.....15, 37, 125, 127
 BEARING,POLYGON,BM5120.....115
 BEARING,SWING CHASSIS RINGEAR.....87
 BELL CRANK,JIB,WELD/Z45/25***.....127
 BELT,SERPENTINE,LRG425 EFI***.....62, 65
 BELT,TIMING,FORD LRG423/425EFI.....61-62, 65
 BELT,V, DEUTZ DIESEL ENGINE.....77
 BLANKET,BATTERY.....161
 BOLT,CARRIAGE,1/4-20 X 1.00,G2.....137
 BOLT,CARRIAGE,1/4-20 X 2.75,G2.....137
 BOLT-FLANGE,M6 X 22MM(52573).....65
 BOOM REST WELDMENT.....113
 BOOT (20424).....147
 BOOT,CABLE TERM,MED.RED,4/0.....57-58
 BOOT,CIRCUIT BREAKER PROTECTOR.....97
 BOOT,CONTROLLER.....149, 151
 BOOT,PLUG 4 WAY.....141
 BOOT,SOLENOID,29073.....73-74, 83
 BOOT,THUMB 20424 JOYSTICK.....147
 BOOT,TOGGLE SWITCH,SHORT*.....97, 99, 145, 161, 163
 BOTTLE, COOLANT RECOVERY, 2QT.....71, 85
 BRACKET,AIR CLEANER ATTACH,PAI.....67-68
 BRACKET,AIR CLEANER MNT,PAINT.....67-68
 BRACKET,AIR CLEANER,PAINTED.....79
 BRACKET,BATTERY HOLD DOWN.....57-58
 BRACKET,BUBBLE LEVEL.....23
 BRACKET,BUBBLE LEVEL**%.....23
 BRACKET,CONTROL BOX MOUNT,LH%.....143
 BRACKET,CONTROL BOX MOUNT,RH%.....143
 BRACKET,CONTROL BOX MOUNT,Z45.....143
 BRACKET,COOLANT TANK MNT,PNTD.....85
 BRACKET,COOLANT TANK MOUNT.....71
 BRACKET,DRIVE SENSOR,ENABLE.....87
 BRACKET,FRONT DRIVE HOSES,LH.....37
 BRACKET,FRONT DRIVE HOSES,RH.....37
 BRACKET,FUEL TANK STRAP.....91
 BRACKET,GROUND CONTROL BOX.....91
 BRACKET,HIGH PRESSURE FILTER.....58
 BRACKET,HOSE CLAMP PAINTED***.....113
 BRACKET,HOSE CLAMP,PAINTED.....137
 BRACKET,LATCH MOUNT,RH**.....57-58
 BRACKET,MANIFOLD MNT,Z45/25.....91
 BRACKET,MANIFOLD,JIB,PAINTED.....123
 BRACKET,MAP SENSOR,PAINTED.....61-62, 65
 BRACKET,MID PRES OIL FILTER,PA.....57-58
 BRACKET,MOUNTING.....163
 BRACKET,MUFFLER,DEUTZ 3 CYL.....74
 BRACKET,OSC HOSE BULKHEAD.....15, 37
 BRACKET,OSCILLATING VALVE.....29, 49
 BRACKET,PERKINS MUFFLER.....85
 BRACKET,PERKINS TAILPIPE,PNTD.....79
 BRACKET,RELAY PANEL.....62
 BRACKET,RETURN FILTER**.....58
 BRACKET,RUBBER BUMPER,ENGCOVER.....101
 BRACKET,SOLENOID MOUNT,PERKINS.....83
 BRACKET,STRUT MOUNT,PAINTED.....79
 BRACKET,TROMBETTA BRACE,PAINTD.....77
 BRACKET,TROMBETTA MOUNT***.....77
 BRACKET,WORK LIGHT MOUNT 5/16".....155
 BRACKET-PANEL-WIRE MOUNTING 99.....97, 145
 BRAKE KIT, SWING DRIVE.....87
 BRAKE,MICO,1200 IN/LB***.....22-23, 42-43
 BRAKE,MICO,12000 IN/LB***.....87
 BRAKE,SAE B-B,900IN LB***.....22-23, 42-43
 BREATHER CAP,RFM165.....89
 BRKT,AIR CLEANER ORIENTATION**.....67-68, 77, 79
 BULB,WORKLIGHT,12V 35W.....155
 BULKHEAD,FEMALE X 6 X 6.....159
 BULKHEAD,TANKSIDE PAINTED.....91
 BULKHEAD,TANKSIDE,PAINTED.....91
 BUMPER, PLASTIC, 1.25 O.D.....103, 105, 165
 BUMPER,RUBBER***.....155
 BUMPER,RUBBER,COVERS.....101
 BUMPER,RUBBER-1 X 1.25.....58
 BUSHING,SPRING SEAT.....151
 BUTTON,PUSH,BLACK W/SEAL***.....145
 BUTTON,PUSH,RED MUSHROOM HEAD.....97, 145
- C**
- CABLE COVER,JIB***.....127
 CABLE SQUEEZE CONN.....99
 CABLE TIE,4" BLK,HEAT RESISTNT.....149
 CABLE TRACK,PLASTIC,26 LINK*.....123
 CABLE TRACK,PLASTIC,35 LINK.....121
 CAM ASSY (20424).....147
 CAP, COOLANT RET SYS(54071).....71, 85
 CAP, OIL FILLER.....79
 CAP,DIAGNOSTIC NIPPLE.....25, 45, 94
 CAP,DISENGAGE,4HP/4HB***.....22-23, 42-43
 CAP,DISENGAGE-45553 TORQUE HUB.....21-23, 39, 41-43
 CAP,DUST (54840 HUB ASSY).....19
 CAP,FILLER BREATHER,3 MICRON*.....89

CAP,FUEL,DIESEL,1/8"VENT(GRN).....89	CONN,520120-8***.....25, 31, 33, 35, 45, 51, 55, 107, 109, 131, 133	CYLINDER,MASTER,Z45***.....115
CAP,FUEL,GAS,1/8"VENT(RED).....89	CONN,520120-8-10.....51, 107, 109	CYLINDER,MASTER,Z45,#4PORTS***.....115
CAP,OIL FILLER,DEUTZ,DIESEL***.....73-74	CONN,520120-8-12.....31, 33, 51, 109	CYLINDER,OSCILLATE,Z45***.....15, 37
CAP,PROT.,RED,1.38ID X .75 DP.....89	CONN,BULKHEAD,520601-8.....51	CYLINDER,PRIM LIFT JIB,Z45.....115
CAP,RADIATOR,FORD***.....71, 85	CONN,LONG,520122-6.....131, 133	CYLINDER,PRIM LIFT NON JIB,Z45.....115
CAPACITOR,TIME DELAY.....143, 145	CONN,PLUG 120 AC/15A DOMESTIC.....57-58, 163	CYLINDER,SLAVE,Z45***.....125, 127
CASTING,45049, 40612.....149	CONN,PLUG 4 WAY,14-18GA.....141	CYLINDER,STEER.....15, 17, 37
CHANNEL,CABLE TRACK COV,NONJ,P....121	CONN,RECEP 120AC/15A DOMESTIC.....163	
CHANNEL,CABLE TRK COVER,JIB,.....123	CONN,STRAIN RELIEF,LP,1/2 NPT.....57-58	D
CHANNEL,CABLE TRK COVER,JIB,PA.....123	CONN,ASSY,7.9 TUBE X6.35 HOSE.....105	DECAL KIT,SFTY/INST.45IC,DSL.....11-12
Check Valve.....93-94	CONN,ASSY,9.5 TUBE X6.35 HOSE.....105	DECAL KIT,SFTY/INSTR.GASZ45.....11-12
Check valve.....25, 45	CONN,BODY, 6.35 X 14.1, FORD.....105	Decal Plate Assembly with decals (decals are listed in Section One).....141
CHECK VALVE KIT,77066.....89	CONN,SQZ,1/2NPT .39-.56 MED.....99, 143	DECAL, GROUND CONTROL PANEL.....11-12
CLAMP, AIR CLEANER (27915)**.....77, 79	CONNECTING LINK, Z45/25.....113	DECAL, POWER TO PLATFORM 230V**...11-12
CLAMP,0.50,#8 X 1/4,RUB CUSH.....71, 79, 85, 103, 105, 113	CONNECTOR, DEUTZ FUEL SHUTOFF*..73-74	DECAL,ARROW BLUE.....11-12
CLAMP,0.63,#10 X 1/4,RUB CUSH.....159	CONNECTOR,070120-4-4.....107	DECAL,ARROW YELLOW LRG 9".....11-12
CLAMP,0.75,#12 X 1/4,RUB CUSH.....89, 97, 145	CONNECTOR,BULKHEAD,FEMALE-4.....57-58	DECAL,CHEVRON RANDO HD.....11-12
CLAMP,1.13,#18 X 1/4,RUB CUSH.....145	CONTACT, N.C.....97, 145	DECAL,COSMETIC,GENIE BOOM,VERT..11-12
CLAMP,1.13,#18 X 3/8,RUB CUSH*.....73-74	CONTACT,N.O.***.....97, 145	DECAL,COSMETIC,GENIE Z-45/25.....11-12
CLAMP,1.25,#20 X 1/4,RUB CUSH.....157	CONTACTOR,LIMIT SWITCH.....87, 113, 117, 119	DECAL,COSMETIC,GENIE Z-45/25J.....11-12
CLAMP,1.25X.5 RUBBER-CUSHION.....141	CONTROL BOX COVER,LID,PTD.....155	DECAL,COSMETIC,IC POWER 4 X 2.....11-12
CLAMP,1.63,#26 X 3/8,RUB CUSH.....137	CONTROL,BOX ASSY-GRND Z45 IC.....99	DECAL,COSMETIC,IC POWER 4 X 4.....11-12
CLAMP,1.88,#30 X 3/8,RUB CUSH.....85	CONTROL,BOX ASSY-GROUND,Z45/25.....99	DECAL,DANGER DO NOT ALTER SWTC.....11-12
CLAMP,CABLE & HOSE,PLASTIC.....117, 119	CORROSION INHIBITOR,FOAM.....97, 143	DECAL,DANGER,ELEC.HAZ.STAY CLR....11-12
CLAMP,HOSE,.25" - .63" X .3125.....61-62, 105	Counterbalance Valve.....93-94	DECAL,DANGER,GEN SAFETY RULES....11-12
CLAMP,HOSE,.63" - 1.0" X .5".....61-62, 65, 67-68	COUPLER,090136, 4-6.....131	DECAL,DANGER,NO SMOKING ***.....11-12
CLAMP,HOSE,1 EAR, 5/8.....61-62, 89	COUPLER,1/4"SERIES 3/8 MPT.....159	DECAL,DANGER,TILT ALARM.....11-12
CLAMP,HOSE,1 EAR,1/2.....105	COUPLER,HUB,15 TOOTH 7/16BOLT*.....67-68, 73-74	DECAL,DANGER,TIP-OVER,TIRES***.....11-12
CLAMP,HOSE,1.25***.....65	COUPLER,INTERNAL SPLINE,T-HUB.....22-23, 42-43	DECAL,DANGER,TIPOVER HAZARD***.....11-12
CLAMP,HOSE,1.75.....65	COUPLER,SMALL METAL,15T,***.....79	DECAL,DIESEL.....11-12
CLAMP,HOSE,1.75,LINED.....71	COUPLING.....22-23, 42-43	DECAL,GROUND CONTROL PANEL.....11-12
CLAMP,HOSE,2.00***.....62	COVER ASSY.ENGINE SIDE,Z45/25.....101	DECAL,INSTR,MAX SIDE FRC,ANSI.....11-12
CLAMP,HOSE,2.25" DIA.....71, 85	COVER ASSY.HYD.TANKSIDE,Z45/25.....103, 105	DECAL,INSTR,SIDE FRC/WIND,AUS.....11-12
CLAMP,HOSE,3.00".....61-62, 65, 68, 77, 79	COVER BRACE,UPPER PIVOT,REAR,P.....113	DECAL,INSTR,FOOT SWITCH OPER.....11-12
CLAMP,HOSE,8.50 DIA***.....77	COVER CAP,TORQUE HUB***.....21-23, 39, 41-43	DECAL,LABEL, AIR LINE 110 PSI.....11-12
CLAMP,HOSE,ALUMINUM.....117, 119	COVER CASTING,20424 CONTROLLER...147	DECAL,LABEL,LFT/DRV SELECT.....12
CLAMP,JIB HOSE/CABLE,Z45/51.....137	COVER END,TORQUE HUB (74097).....22-23	DECAL,LABEL,LIGHTS***.....12
CLAMP,MUFFLER,2 1/4" ID.....73-74	COVER W/DECALS,STEER,NON OSC.....19	DECAL,LABEL,LIQUID PROPANE.....11-12
CLAMP,RUB CUSH,0.75,#12 X 3/8*.....71	COVER W/DECALS,STEER,OSC,Z45.....19, 39	DECAL,LABEL,MANUAL NOT HERE.....11-12
CLAMP,RUBBER CUSHIONED-2 5/32.....127	COVER, JIB HOSES/CABLES.....137	DECAL,LABEL,TEST***.....11-12
CLAMP,TWO HOSE.....137	COVER,BLANK.....143	DECAL,LABEL,UNLEADED GAS ONLY.....11-12
CLAMPING BLOCK,CABLE.....113	COVER,CENTER SWING CHASSIS,PNT.....91	DECAL,LANYARD ANCHORAGE POINT...11-12
CLAMPING BLOCK,HOSE***.....113	COVER,CONTROL BOX LEFT SIDE***.....155	DECAL,NOTICE, FUNCTION ENABLE*.....11-12
CLEVIS YOKE-1/4-28,PLTD W/PIN.....27, 29, 47, 49, 73-74, 83	COVER,CONTROL BOX RIGHT SIDE**.....155	DECAL,NOTICE,DEUTZ ENG SPEC***.....11-12
CLIP,AIR CLEANER COVER (58247).....67-68	COVER,DRIVE CHASSIS MOTOR.....23, 43	DECAL,NOTICE,FOAM-FILLED TIRES.....11-12
COIL, ELECTRONIC IGN., FORD.....62, 65	COVER,ENGINE SIDE (F30-1011F).....73-74	DECAL,NOTICE,FORD EFI ENG SPEC.....11-12
COIL,SOLENOID VALVE, 12V.....93-94	COVER,FORMED REAR AXLE,WIDE.....23, 43	DECAL,NOTICE,HAZARDOUS MAT'LS*.....11-12
COIL,SOLENOID VLV,10V W/ DIODE.....25, 45, 94, 123	COVER,FRONT DEUTZ ENGINE.....77	DECAL,NOTICE,MAX LOAD 500 LBS....11-12
COIL,SOLENOID,8 DSD 10V,W/DIO*.....94, 123, 129	COVER,GFCI,WEATHERPROOF.....143	DECAL,NOTICE,OPER INST.IC***.....11-12
COLD START PKG,DIESEL.....161	COVER,KNOCK OUT HOLE,4 PER BAG...143	DECAL,NOTICE,PERKINS ENG SPEC.....11-12
COLD START PKG,FORD LRG.....161	COVER,REAR AXLE,NARROW,PAINTED....23	DECAL,NOTICE,SHUTOFF VALVES.....11-12
COLLAR, BOOT RETAINING.....147	COVER,REAR AXLE,WIDE,PAINTED.....23	
COMPR.LINK,MACHINED,GND CONTR*..127	COVER,SWING CHASSIS CENTER,PAI.....91	
CONN, 520120-6.....94, 107, 109, 131, 133	COVR W/DECALS,NON-STEER Z45/25.....21-23, 41-43	
CONN,520102-16.....107, 109	CYLINDER,ELEVATE,Z45/25***.....111	
CONN,520102-6-6.....107, 109	CYLINDER,EXTEND,Z45 NON JIB.....117	
CONN,520120-12-16.....109	CYLINDER,EXTEND,Z45J***.....119	
CONN,520120-4***.....35, 45, 51, 55, 94, 107, 109, 123, 133	CYLINDER,JIB,Z45,#4 PORTS***.....127	
CONN,520120-4-6***...31, 33, 35, 51, 55, 107, 131, 133		
CONN,520120-4-8.....35, 55		
CONN,520120-6-8.....35, 51, 55, 107, 131, 133		

Part Description Index (continued)

- DECAL, NOTICE, TIRE SPECS***11-12
 DECAL, OPTION GENERATOR***12, 163
 DECAL, OPTION GLOW PLUGS***11-12, 161
 DECAL, PLATFORM CONTROL PANEL**12
 DECAL, PLATFORM CTRL PANEL***12
 DECAL, POWER TO PLATFORM 115V11-12
 DECAL, PROTECTOR, CLEAR, PLATE***12
 DECAL, TRIANGLE, BLUE11-12
 DECAL, TRIANGLE, YELLOW11-12
 DECAL, USE DEXRON***11-12
 DECAL, WARN, CRUSH HAZARD HAND11-12
 DECAL, WARN, CRUSH HAZARD PLAT11-12
 DECAL, WARN, FALL HAZARD11-12
 DECAL, WARN, IMPROPER OPERATION11-12
D E C A L , W A R N I N G , P I P E
 CRADLE, BOOM165
 DECAL, WARNING-COMPART ACCESS11-12
 DIAGNOSTIC FEMALE Q-DSCNT25, 45, 94
 Diagnostic fitting25, 45
 Diagnostic Nipple93-94
 DIAPHRAGM, AIR VALVE MIXER65
 Differential Sensing Valve93-94
 DIN RAIL, 14.75", MODIFIED99
 DIODE, 6 AMP, 200 PIV, BULK73-74, 99
 DIPSTICK TUBE, PERKINS 104-22**79
 DIPSTICK, OIL LEVEL, LRG425 EFI61-62, 65
 DIPSTK & TUBE ASSY, DEUTZ 3CYL.*73-74
 Directional control45
 DISCONNECT ROD (56338)22-23, 41-43
 DISCONNECT ROD (74097)22-23, 42-43
 DISCONNECT ROD-45553 TQ.HUB21-23, 39, 41-43
 DRIVE GEAR - INSIDE #53073151
 DRIVE GEAR - OUTSIDE #53073151
 DUCT, AIR INTAKE, DEUTZ, Z45/25**101
- d**
- divider/combiner valve25
- E**
- EAR, ENGINE TRAY PIVOT57-58
 EDC ASSY, SAUER, M46***67-68, 73-74, 79
 ELBOW, 010202-6-468
 ELBOW, 45D, 520320-12-16107, 109
 ELBOW, 45D, 520320-16107, 109
 ELBOW, 45D, 520320-16-12107
 ELBOW, 45D, 520320-425, 31, 33, 107, 109, 131
 ELBOW, 90D, 520202-12107
 ELBOW, 90D, 520220-4-425, 31, 33, 35, 45, 51, 55, 87, 107, 109, 131, 133
 ELBOW, 90D, 520220-4-6***35, 55, 107
 ELBOW, 90D, 520220-8-12107
 ELBOW, 90DEG. 1/8MPT-5/16 BARB67-68
 ELBOW, 90DEG. 3/8MPT-5/8 BARB67-68
 ELBOW, SWIVEL 90D, 520221-435, 55, 131
 ELEMENT-5 MIC, PAPER, W/ BYPASS57-58
- END CAP, AIR FILTER-27915&4974067-68, 77, 79
 END PLATE, WAGO143
 ENGINE MOUNT FOOT, L.H., PAINTED71
 ENGINE MOUNT FOOT, R.H., PAINTED71
 ENGINE, DEUTZ D2011L03173-74
 ENGINE, FORD LRG 425, EFIZ4561-62
 EXHAUST PIPE, DEUTZ 3 CYL DSL73-74
 EXTENSION BOOM WELDMNT, JIB, Z45119
E X T E N S I O N
 B O O M
 WELDMNT, NON-JIB117
 EXTENSION, FAN (104-22)81
- F**
- FAN BELT (104-22) PERKINS81
 FAN, ENGINE (104-22)(404-22)*81
 FAN, LSG423/LRG42562, 65
 FILM, POLY, CLEAR, 4.5 X 8.7511-12
 FILTER ASSY, HIGH PRESS SAE-12*58
 FILTER ASSY, INTANK89
 FILTER ASY, M PRESS, SAE8, WOIND* (77139)57-58
 FILTER ELEMENT, AIR, NOLFF LPG67-68
 FILTER ELEMENT-10 MIC. ***57-58
 FILTER LID, RFM16589
 FILTER, ELEMENT/FUEL PERKINS**79
 FILTER, FUEL LRG 425/423 EFI61-62, 105
 FILTER, OIL, FORD61-62, 65
 FILTER, AIR, ELEMENT***67-68, 77, 79
 FILTER, ELEMENT, BETA(10)=20089
 FILTER, ELEMENT, BETA(5)=100057-58
 FILTER, ELEMENT, F GLASS, 6 MICRN57-58
 FILTER, FUEL/WTR SEP, DTZ 100873-74
 FILTER, OIL, DEUTZ F4L1011F73-74
 FILTER, OIL, DEUTZ, REPLACEMENT73-74
 FILTER, OIL, FORD61-62, 65
 FITTING, CONN, 520120-12***25, 31, 33, 35, 45, 51, 55
 FITTING, ELBOW, 90D, 520220-12107
 FITTING, ELBOW, 90D, 520220-8***25, 31, 33, 35, 107, 109
 FITTING, HYDRAULIC, 90DEG, O-RING73-74
 FITTING, M18X8, C870MX73-74
 FITTING, TEE, BRANCH, 520429-4***31, 33, 51, 131
 FITTING, TEE, BRANCH, 520433-431, 33, 35, 51, 55
 FLANGE-JOYSTICK MOUNTING, 44988151
 FLAP, RUBBER, ENGINE COVER HOOD101
 FLASH TUBE, STRAIGHT, 360DEG, BULB153
 FLASH TUBE, U SHAPED, 360DEG, BULB153
 FLEX PLATE (54573)***79
 FLEX PLATE, FLYWHEEL (54573)79
 FLOORING, 6'FT PLATFORM141
 Flow25
 Flow divider/combiner valve45
 Flow Regulator93-94
 Flow Regulator Valve93-94
 Flow regulator valve45
 Flow Regulator Valve93-94
 FLYWHEEL COVER, CASTING***73-74
 FLYWHEEL FLANGE, GREEN PLASTIC67-68, 73-74
 FORMED AXLE, WIDE, W/ BEARINGS21-23, 41-43
 FORMING, BELLY PAN, PAINTED19, 89
 FORMING, ENGINE COVER, PTD101
- FORMING, FRONT FOOT, PAINTED83
 FORMING, FRONT FOOT, PERKINS85
 FORMING, LP BRACKET MOUNT89
 FORMING, REAR FOOT LT, PERKINS85
 FORMING, REAR FOOT RT, PAINTED83
 FRONT AXLE ASSY, NRRW, Z45/2517
 FRONT AXLE ASSY, WIDE, Z45/25 IC15, 17, 37
 FUEL DOOR, IC TANK SIDE, PNTD***103, 105
 FUEL FILTER W/SEP, DEUTZ, 100873-74
 FUEL INJECTOR, LRG-425 EFI61-62, 65
 FUEL LINE INJ. DEUTZ F4L1011F73-74
 FUEL PRESSURE REG, 425EFI***61-62, 105
 FUEL PUMP KIT, LRG 425, WALBRO**61-62
 FUEL TANK ASSY, 17 GAL PLASTIC89
 FUSE HOLDER, WATERPROOF57-58
 FUSE, 1 AMP57-58
 FUSE, 13 AMP, 220V PLUG57-58
- G**
- GAS STRUT, 250 LBS FORCE***101
 GAS STRUT, CONNECTOR (28301)101
 GASKET - THROTTLE BODY, 425EFI61-62
 GASKET, FORD OIL DRAIN67-68
 GASKET, WATER PUMP62, 65
 GASKET, ADAPTER PLATE, 425EFI***61-62, 65
 GASKET, EXH FLANGE-FORD/PERKINS85
 GASKET, EXHAUST73-74
 GASKET, EXHAUST***67-68
 GASKET, GROUND CONTROL BOX99
 GASKET, LP ADAPTER61-62
 GASKET, NOLFF AIR HORN(106144)*65
 GASKET, RETURN FILTER-7735389
 GASKET, THERM. HSNG O-RING62, 65
 GASKET, UPPER CONTROL BOX143
 GASKET, WATER PUMP81
 GASKET-THERMOSTAT HSG81
 GASKET-VENTURI BEAM (FORD)61-62
 GATE LATCH CASTING--DRILLED157
 GAUGE, MED. PRESSUR FILTER, 5053058
 GAUGE-SIGHT, LHA-LGTB***89
 GEAR CASTING, 20424 CONTROLLER*147
 GEAR, SLAVE, MS4, 45048149
 GLOW PLUG, L1011161
 GROMMET, RUBBER .5 X .014 X .75141
 GROUND CONNECTOR, 1/2"143
 GUARD, FAN, FORD/PERKINS, PAINTED71
 GUARD, FAN, PERKINS, PAINTED85
 GUARD, FOOTSWITCH, W/DECAL ALUM141
- H**
- HANDLE HALF, JOYSTICK (20424)147
 HANDLE, CAP, CONTROLLER149, 151
 HARNESS, ALARM OPTION, Z45153
 HARNESS, ENGINE, Z45 IC DEUTZ73-74
 HARNESS, ENGINE, Z45 IC FORD61-62, 65
 HARNESS, ENGINE, Z45 IC GAS***61-62
 HARNESS, F.MANIFOLD, DUAL SPADE99
 HARNESS, MANIFOLD, Z45 IC99
 HARNESS, TILT ALARM, 12V57-58
 HEATER, FREEZE PLUG, FORD LRG423161
 HINGE, .375X.120THK., SLOTTED101, 103, 105

Part Description Index (continued)

- MANIFOLD,JIB,ROTATE 10V,W/FITT.....123, 129
 MANIFOLD,ROTATOR,180 DEG.***.....125, 127
 MANIFOLD,ROTATOR,CB***.....125, 127
 MANIFOLD,TRACTION,2WD.....25
 MANIFOLD,TURNTABLE ROTATION***.....87
 MANUAL BOX W/DECALS***.....141
 MAP SENSOR, EFI.....61-62, 65
 MESH,HALF,LH,6"PLATFORM.....157
 MESH,HALF,RH,6"PLATFORM.....157
 MESH,HALF,SWING GATE***.....157
 MICROSWITCH,13482 FOOTSWITCH.....141
 MICROSWITCH,V3L-139-D8.....149, 151
 MIDPIVOT ASSY Z45IC.....113
 MODULE,IGNITION/START,12/24V.....99
 MOTOR,12VDC (42185).....89
 MOTOR,12VDC,77066.....89
 MOTOR,HYD DRIVE,2 SPEED,2WD.....22-23
 MOTOR,HYD DRIVE,2 SPEED,4WD.....42-43
 MOTOR,HYD,25CC FIXED***.....39
 MOTOR,HYD,LV35,VAR,10DEG,2WD.....22-23
 MOTOR,HYD,LV35,VAR,1DEG,4WD.....42-43
 MOTOR,TURNTABLE ROTATE,29.1.....87
 MOUNT POST,LH.....77
 MOUNT POST,RH.....77
 MUFFLER,DEUTZ.....73-74
 MUFFLER,FORD LRG EFI,Z45.....67-68
 MUFFLER,PERKINS 404-22DSL.....85
- N**
- NIPPLE,DIAGNOSTIC,#4.....94
 NIPPLE,DIAGNOSTIC,ORFS,FM,SWIV.....25, 45
 NUT & BOLT KIT (25883).....147
 NUT - PLASTIC,RING FOR ALARMS.....143, 153
 NUT - WING, AIR FILTER, 425EFI.....67-68, 77, 79
 NUT, HEX FLANGE M 8 X 1.25.....85
 NUT, LP NYLOCK, 3/8-16...85, 111, 121, 123, 141
 NUT,BULKHEAD,520118-4.....35, 55
 NUT,BULKHEAD,520118-8.....51
 NUT,EXHAUST MANIFOLD-FORD,LRG.....68
 NUT,HEX,1/4-28.....27, 29, 47, 49, 73-74, 83
 NUT,HEX,5/16-18,GR5.....73-74, 85
 NUT,HEX,M4 X 0.7 MM (20424)***.....147
 NUT,KEPT,8-32,PLATED.....143
 NUT,LOCKING-LG.FLANGE,1/4-20.....61-62, 123
 NUT,LOCKING-LG.FLANGE,5/16-18....67-68, 79
 NUT,LP NYLOCK,1/4-20.....23, 43, 57-58, 91, 99, 103, 105, 113, 123, 145, 155
 NUT,LUG,5/8-18 X 90 DEGREE,Z45.....19, 21-23, 39, 41-43
 NUT,NYLOCK FLG,1/4-20,F,ZAG.....165
 NUT,NYLOCK FLG,3/8-16,F,ZAG.....165
 NUT,NYLOCK,1-8.....139
 NUT,NYLOCK,1/2-13.....71, 83, 85, 87, 89, 91, 163
 NUT,NYLOCK,1/4-20.....23, 57-58, 61-62, 71, 73-74, 79, 83, 85, 89, 91, 99, 101, 103, 105, 113, 117, 119, 121, 123, 125, 127, 129, 137, 155, 157, 161
 NUT,NYLOCK,10-24.....29, 49
 NUT,NYLOCK,10-32.....61-62, 65, 87, 97, 101, 103, 105, 113, 117, 119, 145, 153
 NUT,NYLOCK,3/4-10,GRD.8.....129, 139
 NUT,NYLOCK,3/8-16.....15, 17, 21-23, 37, 41-43, 57-58, 71, 77, 83, 85, 89, 91, 101, 103, 105, 111, 117, 119, 125, 127, 137, 139, 141, 143, 163
 NUT,NYLOCK,5/16-18.....57-58, 91, 101
 NUT,NYLOCK,5/8-11.....77
 NUT,NYLOCK,6-32.....143
 NUT,NYLOCK,M10X1.50.....83, 85
 NUT,SOLENOID VALVE 2P3W.....25, 45, 94, 123, 129
 NUT,SOLENOID VALVE COIL.....123, 129
 NUT,SPINDLE,1-14.....19
 NUT-CASTLE (50414).....87
 NUT-VALVE,PROP. SOLENOID-50683.....94
- O**
- O-RING KIT (ORFS FITTINGS).....25, 31, 33, 35, 45, 51, 55, 93-94, 107, 109, 131, 133
 O-RING KIT,FIELD SVC,ALL PROD*.....25, 45, 93-94
 O-RING***.....67-68, 74, 79
 O-RING, ROTATOR MANIFOLD.....125, 127
 O-RING, TORQUE HUB.....21-23, 39, 41-43
 O-RING,2-010,VITON.....22-23, 42-43
 O-RING,2-042 N674-70***.....87
 O-RING,2-044 BUNA***.....22-23, 39, 42-43
 O-RING,BOOT,CONTROLLER.....149, 151
 O-RING,DIPSTICK TUBE(Z45 PERK).....79
 O-RING,END COVER,4HP/4HB***.....22-23, 42-43
 O-RING,MOTOR TO BRAKE***.....23, 42-43
 O-RING,NEOPRENE,.469IDX.094THK.....73-74
 O-RING,ORFS,-6.....97
 OIL FILLER CAP FOR LRG ENGINE.....62, 65
 OIL FILTER - PERKINS.....79
 OPT,SCRUB/SPARK ARREST,DEUTZ.....73-74
 OPTION,AIRLINE TO PLATFORM.....159
 OPTION,EURO TOEBOARD.....141, 155
 OPTION,GEN,3000W PARKER.....163
 OPTION,GENERATOR,2500W HYD.....163
 OPTION,PLAT.PINCH GUARD,4 FT.....155
 OPTION,PLAT.PINCH GUARD,5 FT.....155
 OPTION,WORKLIGHT,12 VOLT.....155
 Orifice.....93-94
 Orifice.....25
 Orifice - Plug.....45
 ORIFICE, 0.025"(74129)*.....45
 OUTLET, 110V.....143
 OUTLET,WATER, PERKINS (54555).....81
- P**
- PAD,REST,2"THICK,W/STUDS*.....91
 PAINT,AEROSOL,BRIGHT BLUE***.....11-12
 PAINT,AEROSOL,GENIE GRAY***.....11-12
 PAINT,WET,GENIE BLUE (1 GL)**.....11-12
 PAINT,WET,GENIE GRAY (1 GL)**.....11-12
 PCB,11179AB, (SWING)***.....151
 PCB,11179CD,(LIFT)***.....151
 PCB,ASSY,24495.....149
 PIN,1.00DIAX15.56LG,CHAMFER.....57-58
 PIN,1.25DIAX14.45LG,2HOLE.....127
 PIN,1.25DIAX3.37LG,1HOLE.....115
 PIN,1.25DIAX3.75LG,1HOLE.....15, 37
 PIN,1.25DIAX5.25LG,1HOLE.....125, 127
 PIN,1.25DIAX6.36LG,2RING.....117, 119, 127
 PIN,1.25DIAX7.00LG,1HOLE.....125, 127
 PIN,1.25DIAX7.88LG,1HOLE.....127
 PIN,1.25DIAX8.12LG,1HOLE.....15, 37
 PIN,1.25DIAX8.88LG,1HOLE.....125, 127
 PIN,1.25DIAX9.38LG,THREADED.....117, 119
 PIN,1.50DIAX13.88LG,2HOLE.....111
 PIN,1.50DIAX20.00LG,CHAMFER.....15, 17, 21-23, 37, 41-43
 PIN,1.50DIAX4.25LG,GR/H.....15, 17, 37
 PIN,1.50DIAX9.50LG,1HOLE***.....111
 PIN,1.75DIAX11.63LG,CHAMFER.....111
 PIN,1.75DIAX12.13LG,CHAMFER.....111
 PIN,1.75DIAX12.25LG,CHAMFER.....111, 115
 PIN,1.75DIAX23.57LG,CHAMFER***.....111, 115
 PIN,1.75DIAX9.25LG,1HOLE.....115
 PIN,CLEVIS,1 X 2.5 LG.....15, 17, 37
 PIN,CLEVIS,1 X 3 LG.....15, 17, 37
 PIN,COTTER,.156 X 2.5.....87
 PIN,COTTER,.188 X 1.75 LONG.....37
 PIN,COTTER,.219 X 1.75.....19
 PINCH GUARD,6"(1.31")SERVICE**.....155
 PINION GEAR.....87
 PIPE CRADLE ASSY. SERV (ONE)**.....165
 PLAT SUPPORT ASSY,NON-JIB***.....139
 PLAT.ASSY,6FT,1/2 MESH, CE.....157
 PLAT.ASSY,6FT,Z45/25, CE.....141
 PLAT.ASSY,6FT,Z45/25,ANSI/CSA.....141
 PLAT.CNTL.BOX,W/DECAL,Z45/25.....143
 PLAT.CNTRL.BOX W/DECAL,Z45/25.....143
 PLATE,AIR BAFFLE,FORD.....71
 PLATE,AIR BAFFLE,FORD,PAINTED.....101
 PLATE,AIR INTAKE ADAPTER,FRD**.....101
 PLATE,AIR INTAKE ADAPTER,PAINT.....101
 PLATE,COVER LATCH BACKING.....101, 103, 105
 PLATE,COVER SPACER,PAINTED.....103, 105
 PLATE,ENG MT BELL HOUSE,PAINTED.....71
 PLATE,ENGINE TRAY***.....57-58, 71, 77, 83, 85
 PLATE,FOOT SWITCH COVER.....157
 PLATE,FUEL PUMP,FORD/WALBRO.....103, 105
 PLATE,HINGE BACK-UP.....67-68
 PLATE,LOWER AIR BAFFLE,PAINTED.....85
 PLATE,MANIFOLD/CNTRL BOX MOUNT.....91
 PLATE,PUMP MOUNT,FORD,PAINTED.....67-68
 PLATE,RADIATOR BAFFLE,PAINTED.....71
 PLATE,SWING LOCK,PAINTED***.....87
 PLATE,TANK SIDE,PAINTED.....89
 PLATE,UK POWER TO PLATFORM.....143
 PLATE,WATER PUMP (104-22).....81
 PLATFORM SUPP WDMT 45.12".....139
 PLATFORM,1/2 MESH W/GATE,ANSI*.....157
 PLUG AND CAP KIT-SERVICE,ORFS*.....25, 31, 33, 35, 45, 51, 55, 93-94, 107, 109, 131, 133
 PLUG, TYPE F, 230A, 50HZ, 16A, IP44.....57-58
 PLUG,070109-8.....67-68, 73-74
 PLUG,090109A-6.....131, 133
 PLUG,1/4 X .400",BLK.....101
 PLUG,1/4"SERIES,3/8 MPT.....159
 PLUG,520109-8,ORFS.....73-74
 PLUG,DRAIN,3/8",MAGNETIC.....89
 PLUG,FUSED,250V,13AMP,U.K.*.....57-58
 PLUG,HEX,090109A-4.....31, 33
 PLUG,NYLON .313 BLACK DOMED.....23, 145

Part Description Index (continued)

- SEAL KIT, SOLENOID VALVE.....94
 SEAL KIT, SUNSTRAND.....22-23
 SEAL KIT, SWING DRIVE.....87
 SEAL KIT, TORQUE HUB(74097)*.....22-23, 42-43
 SEAL KIT, VALVE, #4.....45, 94
 SEAL KIT, Z45 ELEV%.....111
 SEAL KIT,147259.....127
 SEAL KIT,147261.....15, 37
 SEAL KIT,2" BORE,1" ROD***.....15, 17, 37
 SEAL KIT,2.0" BORE CYLINDERS**.....15, 17, 37
 SEAL KIT,3" BORE,1.5" RD.....115
 SEAL KIT,42406,STEER,CYL,TEXAS.....17
 SEAL KIT,50287,50392 CYLINDER.....115
 SEAL KIT,50302 CYLINDER.....111
 SEAL KIT,50316 CYLINDER.....15, 37
 SEAL KIT,50337,50353 CYLINDER..115, 125, 127
 SEAL KIT,50699,50260,50321 CYL..117, 119, 127
 SEAL KIT,BRAKE***.....23, 42-43
 SEAL KIT,BRAKE,MICO.....22-23, 42-43
 SEAL KIT,BRAKE,MICO***.....87
 SEAL KIT,CONTROL VALVE.....27, 29, 47, 49
 SEAL KIT,CYL,Z45 (54567).....15, 37
 SEAL KIT,CYL,Z45 (77187&77188).....115
 SEAL KIT,ELEVATE (88203).....111
 SEAL KIT,LIFT PUMP**.....67-68, 74
 SEAL KIT,MANIFOLD TO MOTOR.....87
 SEAL KIT,MASTER & SLAVE CYL.....115, 125, 127
 SEAL KIT,ROTATOR***.....125, 127
 SEAL KIT,SAUER-DANFOSS M46***.....42-43, 67-68, 74, 79
 SEAL KIT,SUNSTRAND.....39
 SEAL KIT,SWING DRIVE***.....87
 SEAL KIT,SWING MOTOR***.....87
 SEAL KIT,TORQUE HUB (20193)...21-23, 39, 41-43
 SEAL KIT,TRNTBLE ROT MTR(50413).....87
 SEAL KIT,UNIVERSAL,9K ROTATOR*.....125, 127
 SEAL KIT, WHEEL DRIVE (106148/106445/107712).....22-23, 42-43
 SEAL KIT,WHEEL DRIVE W/BRAKE (101584/101585).....22-23, 42-43
 SEAL KIT-3" BORE X 1.5" ROD.....115
 SEAL KIT-DRIVE MOTOR.....22-23, 42-43
 SEAL, OIL FILLER CAP.....79
 SEAL,BAFFLE,FRONT,OUTSIDE,EFI.....71
 SEAL,FILTER LID.....89
 SEAL,RUBBER,BAFFLE,FORD.....71, 85, 101
 SEAL,RUBBER,BAFFLE,PERKIN/FORD...71, 101
 SEAL,SHAFT-SUNDSTRAND***.....22-23, 42-43, 67-68, 74, 79
 SEAL-GREASE,9-BOLT HUB 54840.....19
 SEAL/BEARING KIT (45043,54840).....19
 SENDING UNIT,OIL PRESSURE***.....65
 SENDING UNIT,OIL TEMP.....73-74
 SENDING UNIT-H20TMP LRG425EFI*.....65
 SENSOR, CRANK POSITION.....62, 65
 SENSOR,AIR TEMP,LRG-425 EFI***.....61-62, 65
 SENSOR,CAM,EFI***.....61-62, 65
 SENSOR,COOLANT TEMP*.....62, 65
 SENSOR,LEVEL 4.5***.....57-58
 SENSOR,LEVEL,4.5 DEG.....57-58
 SENSOR,O2,LRG 425 EFI***.....67-68
 SERIAL # LABEL,MYLAR 4X8***.....11-12
 SERVICE KIT,5FT JIB.....127
 SERVICE KIT,5FT JIB.....137
 SERVICE KIT,VICKERS BRKT.ASSY.....73-74
 SET SCREW***.....22-23, 42-43
 SHAFT & HOUSING ASSY.....151
 SHAFT (53073)***.....151
 SHAFT W/GEAR.....149
 SHAFT,M46 15 TOOTH.....67-68, 74, 79
 SHAFT,W/NF STYL BLOCK,(20424)*.....147
 SHEET,RUBBER,AIR INTAKE.....77
 SHIM,AXLE PIN,1.50".....15, 17, 23, 37, 43
 SHIM,AXLE ROTATION STOP,12GA.....21-23, 41-43
 SHIM,AXLE ROTATION STOP,22GA.....21-23, 41-43
 SHIM,SIDE PAD 22GA.....57-58
 SHIM,WEAR PAD,5 X 1.5,14GA.....117, 119
 SHIM,WEAR PAD,5X 1.5 16GA.....117, 119
 SHOCK MOUNT,LARGE**.....71, 83, 85
 SHOCK MOUNT,SMALL.....71, 85
 SHROUD,FAN,PERKINS DSL.....85
 SHROUD,RADIATOR,FORD LGR425,PA.....71
 SHUTDOWN SOLENOID,12V, DEUTZ.....73-74
 Shuttle valve.....25
 Shuttle valve,.....45
 SLIDING MIDRAIL KIT,PTD.....141
 SNAP PIN,(RD.NOSE)-GATE LATCH.....157
 SNAP RING,EXTERNAL,1.25,ZAG...117, 119, 127
 SNAP RING,EXTERNAL,1.50,ZAG.....15, 17, 37
 SNAP RING,WHEEL DRIVE.....22-23, 42-43
 SOLENOID CABLE ASSY***.....73-74
 Solenoid Valve.....93-94
 Solenoid valve.....25, 45
 Solenoid Valve,.....93-94
 Solenoid valve,.....45
 Solenoid Valve, 3 position 4 way.....93-94
 Solenoid Vave,.....93-94
 SOLENOID,12V CONTINUOUS***.....161
 SOLENOID,12V,APU.....89
 SOLENOID,77066.....89
 SOLENOID,SHUT DN,PERKINS(54555).....83
 SOLENOID,THROTTLE.....73-74, 83
 SOLENOID-STARTR DEUTZF4L1011F*.....77
 SPACER,FAN TO WATERPUMP LRG423.....62, 65
 SPACER,NYLON,.375.....143
 SPACER,NYLON,.718 X .526 X.219.....97, 99, 145, 161, 163
 SPACER,NYLON,2.00 X 1.33 X.310...117, 119
 SPACER,NYLON,2.01 X 1.28 X.135...117, 119
 SPACER,THRUST***.....22-23
 SPARK PLUG WIRE SET, LRG425EFI.....61-62, 65
 SPARK PLUG,FORD.....61-62, 65
 SPRING & BUSHING KIT,RETURN***.....149
 SPRING (RED) MICO.....22-23, 42-43
 SPRING CLIP,1/4-20,.025-.15X.54,ZAG.....19, 21-23, 39, 41-43, 89, 137, 141
 SPRING CLIP,10-24,.025-.125X.468,ZAG...141
 SPRING KIT-MICO BRAKE (50414).....87
 SPRING,1X.31 ODX.040WIRE,SS.....23
 SPRING,24493 CONTROLLER.....151
 SPRING,RETURN***.....147
 SPRING,SHORT PLATFORM GATE.....157
 SPUR GEAR (20424).....147
 STARTER, 12V.....77
 STARTER, PERKINS, 404D.....81
 STARTER,DEUTZ,F4L1011F/F3L1011.....77
 STARTER,ENGINE,FORD LSG/LRG***.....67-68
 STEP PLATFORM ENTRY PAINTED***.....141
 STRAINER ASSEMBLY,1.5" NPT.....89
 STRAP, CONDUIT HOLDER 60****.....165
 STROBE,FIREBOLT,12-80VDC,AMB**.....153
 STRUT,PERKINS RADIATOR.....85
 STRUT,RADIATOR LH,FORD EFI.....71
 STRUT,RADIATOR RH,FORD EFI.....71
 STUD,EXHAUST MANIFOLD-FORD,LRG...68
 SUPPORT PAD ENGINE COVER.....58
 SUPPORT, RAILING.....155
 SUPPORT,WRIST***.....145
 SWING DRIVE ASSEMBLY.....87
 SWING DRIVE ASSY***.....87
 SWITCH (20424).....147
 SWITCH PLATE ASSEMBLY(20424).....147
 SWITCH TOGGLE ASSY DPDT 2P MNT...97, 145
 SWITCH, OIL PRESSURE 1.5 BAR.....73-74
 SWITCH,HANDLE,20424.....147
 SWITCH,LIMIT,W/RLR ARM,NO/NC**.....87, 113, 117, 119
 SWITCH,OIL PRES.FORD,NORM.OPEN...61-62
 SWITCH,OIL PRESSURE,CLOSED***.....61-62, 65
 SWITCH,TOGGLE,DPDT,2POS MOMEN...97, 99, 145
 SWITCH,TOGGLE,DPDT,3POS MAINT.....145
 SWITCH,TOGGLE,DPDT,3POS MOMEN...97, 145
 SWITCH,TOGGLE,SPDT,2 POS MAINT.....163
 SWITCH,TOGGLE,SPDT,3 POS MAINT.....97, 145, 161
 SWITCH,WATER TEMP-PERKINS54555.....81

T

- T-BOX,2.75 X 4.5 X 2.0.....143
 TANK, 7 GAL/33.5 POUND, LP.....89
 TANK,HYDRAULIC 24 GAL.....89
 TANK,HYDRAULIC,24 GAL.....89
 TEE,BRANCH,520429-12.....107, 109
 TEE,BRANCH,520429-6.....51, 133
 TEE,BRANCH,520429-8.....45, 51, 55
 TEE,BRANCH,520433-8.....51
 TEE,BULKHEAD,RUN,520958-4.....35, 55
 TEE,RUN,520428-12.....107, 109
 TEE,RUN,520428-4.....31, 33, 51
 TEE,RUN,520428-6.....131, 133
 TEE,RUN,520428-8...31, 33, 51, 107, 131, 133
 TERM RELAY,N-INSULATE 14-16 GA.....97
 TERM,RELAY N-INSULATED 10-12 G.....97
 TERM,RELAY,N-INSULATE 18-20 GA.....97
 TERMINAL BLOCK END PLATE.....99
 TERMINAL BLOCK(SINGLE),WAGO***.....99
 TERMINAL BLOCK, WIELAND***.....99
 TERMINAL BLOCK,WAGO.....143
 TERMINAL STRIP END PLATE.....99
 THERMOSTAT (PERKINS 104-22).....81
 THERMOSTAT HOUSING, LRG425 EFI.....62, 65
 THERMOSTAT, FORD LRG.....62, 65
 THREADED ROD,1/4-20,4.5".....61-62

- THREADED ROD,1/4-28 X 10 IN***.....73-74, 83
 THREADED ROD,1/4-28 X 5 IN.....29, 49
 THREADED ROD,1/4-28 X 6 IN***.....27, 47
 THROTTLE ACTUATOR*(BOSCH).....61-62, 65
 THRUST CAP (20193).....22-23, 39, 41-43
 TIE ROD WELDMENT.....15, 17, 37
 TIE ROD WELDMENT, NARROW.....17
 TIRE & WHEEL ASSY,8 ON 8,FOAM.....19
 TIRE ASSY,8 ON 8,N/MARK,FOAM.....19
 TIRE,14-17.5 NHS,RT,14PLY,112#.....19, 21-23, 39, 41-43
 TIRE,14-17.5,NHS,N/MARK,14PLY.....19, 21-23, 39, 41-43
 TIRE/WH ASSY,9 LG,FOAM,NS REAR.....21-23
 TIRE/WH ASSY,9 LG,FOAM,S FRONT.....19
 TIRE/WH ASSY,9 LG,NM,FOAM,S FR.....19
 TIRE/WH ASSY,9LG,NM,FOAM,NS RE.....21-23
 TOEBOARD,ENTRY EUROPEAN PNTD*.....155
 TOOL TRAY ACCESSORY***.....155
 TOOL TRAY BRACKET (GRAY) **.....155
 TORQUE HUB,35:1***.....21-23, 39, 41-43
 TORQUE HUB,47:1 W1 "B" MOUNT**.....22-23, 41-43
 TRIMLOCK,BLACK,5/32".....165
 TUBE,CABLE TRACK ARM NON-JIB.....121
 TUBE,CABLE TRACK ARM,JIB.....123
 TUBE,CABLE TRACK ARM,NON-JIB.....121
 TUBE,PROP ROD,18.63",W/CAP.....103, 105
 TUBELESS PNEUMATIC TIRE,9-14LT.....19, 21-23
 TUBELESS TIRE,9-14.5,NON-M 47#.....19, 21-23
- U**
- U-BOLT, FLATTENED, 1.5 X 3/8 UNC,ZAG.....165
 U-BOLT, KIT 5/16-18 X 2.5 ***.....73-74, 85
 UBOLT,FLATTENED,1.5DIAX3/8 UNC.....139, 141
 UPPER LEVEL ARM ASSY,SERV.....113
 UPPER PIVOT W/BEARING-Z45/25...113, 115
 UPPER SECONDARY ARM ASSY-Z45.....113
- V**
- VACUATOR VALVE.....67-68
 VALVE.....25, 45
 VALVE - COUNTERBALANCE**.....125, 127
 VALVE ASSY,BLEED***.....125, 127, 129
 VALVE BLOCK, SWING DRIVE.....87
 VALVE, CNTRBAL 3500 PSI, ATM VEN.....111
 VALVE, SOLENOID (73616)-LONG**.....123, 129
 VALVE, SOLENOID (73616)-SHORT.....123, 129
 VALVE,BALL,16 MPT-16 FPT***.....107, 109
 VALVE,CB.CBBC-LHN@1000***.....117, 119
 VALVE,CHECK.....45, 94
 VALVE,CHECK,5 PSI.....25, 45
 VALVE,CHK,#10PORT-#10MALEORFS.....107, 109
 VALVE,COUNTERBAL.CBCA-LHN@3000.125, 127
 VALVE,COUNTERBALANCE.....87, 94
- VALVE,COUNTERBALANCE****.....94
 VALVE,COUNTERBALANCE,1000 ATM.....15, 37
 VALVE,COUNTERBALANCE,3500 PSI.....111
 VALVE,COUNTERBALANCE,3500***.....125, 127
 VALVE,COUNTERBALANCE,3800 PSI.....115
 VALVE,COUNTERBALANCE,3800 PSI*.....127
 VALVE,COUNTERBALANCE,1500 PSI**.....117, 119
 VALVE,DIFF SENSING (54490).....94
 VALVE,DIFFERENTIAL SENSING***.....94
 VALVE,DRAIN,FORD,BLOCK,RAD.....67-68, 71
 VALVE,ENGINE OIL DRAIN.....67-68
 VALVE,FLOW DIVIDER/COMBINER.....25, 45
 VALVE,FLOW REGULATOR.....94
 VALVE,FLOW REGULATOR 0.1 GPM.....94
 VALVE,FLOW REGULATOR 0.6GPM.....94
 VALVE,LOCK OFF,BEAM #FL-418.....67-68
 VALVE,NEEDLE***.....94
 VALVE,PCV-FORD LRG***.....61-62, 65
 VALVE,RELIEF 1800 PSI.....94
 VALVE,RELIEF 250 PSI***.....25, 45
 VALVE,RELIEF 3200 PSI.....94
 VALVE,RELIEF KIT,MONARCH**.....89
 VALVE,SOLENOID,10V W/DIODE***.....25, 45, 94, 123
 VALVE,SOLENOID,3 POS 4 WAY,10V.....94
 VALVE-DIRECT. CONTRL-2POS. 2WA.....45
 VALVE-FLOW REGULATOR 1.0GPM.....45
 VALVE-FLOW REGULATOR 2 GPM.....45
 VALVE-FLOW REGULATOR 2.0 GPM.....94
 VALVE-PROPORT.,SOLENOID DV DC.....93-94
 VALVE-SOLENOID,3 POSITION 4WAY.....94
 VENTURI,BEAM (FORD) ***.....61-62
 VLV,MAN,3 POS/4 WAY,CLOSE CTR*.....27, 29, 47, 49
- W**
- WASHER, 1/2 PLATE (1/2 X 2.25 X 3/16).....71
 WASHER,FENDER,.25 X 1.25 X.062.....103
 WASHER,FENDER,.25X1.50X.074.....101, 105
 WASHER,FLAT,.375 X 1.5 X .125.....71, 85
 WASHER,FLAT,.5 HARDENED.....43
 WASHER,FLAT,.625 HARDENED.....22-23, 39, 42-43, 57-58, 77, 87
 WASHER,FLAT,.625 X 2.25 X.15.....77
 WASHER,FLAT,.75 HARDENED.....129, 139
 WASHER,FLAT,1.000,HARDENED.....139
 WASHER,FLAT,1.56 X 2.5 X .061.....15, 17, 21-23, 37, 41-43
 WASHER,FLAT,M10,ZINC PLTD.....83, 85
 WASHER,FLAT,M14.....83, 85
 WASHER,FLAT,M6 PLTD.....27, 47
 WASHER,FLAT,M8,YELLOW ZINC.....79
 WASHER,FLAT,MS,#10,Y.....23, 29, 49, 61-62, 71, 85, 87, 97, 101, 103, 105, 153
 WASHER,FLAT,USS,1/2",Y.....71, 83, 85, 87, 89, 91, 113, 163
 WASHER,FLAT,USS,1/4"Y.....19, 21-23, 27, 29, 39, 41-43, 47, 49, 57-58, 61-62, 67-68, 71, 73-74, 79, 83, 85, 89, 91, 97, 99, 101, 103, 105, 113, 117, 119, 121, 123, 125, 127, 129, 137, 141, 145, 155, 157, 161
 WASHER,FLAT,USS,3/8",Y.....57-58, 77, 85, 89, 91, 101, 113, 117, 119, 143
- WASHER,FLAT,USS,5/16",Y.....15, 17, 21-23, 27, 29, 37, 41-43, 47, 49, 57-58, 71, 77, 83, 85, 89, 91, 101, 103, 105, 111, 121, 123, 125, 127, 139, 141, 155, 163
 WASHER,LOCK,.25.....19, 21-23, 27, 29, 39, 41-43, 47, 49, 57-58, 61-62, 67-68, 89, 91, 97, 125, 127, 141, 155
 WASHER,LOCK,.313.....71, 73-74, 79, 155
 WASHER,LOCK,.375.....15, 17, 21-23, 27, 29, 37, 41-43, 47, 49, 57-58, 67-68, 74, 79, 87, 89, 91, 101, 113, 115, 117, 119, 129, 137, 139, 143
 WASHER,LOCK,.625 PLTD.....57-58
 WASHER,LOCK,0.5".....21-23, 39, 41-43, 67-68, 73-74, 79, 89, 111, 113, 139
 WASHER,LOCK,IND,LAMP RETAINER.....145
 WASHER,LOCK,M10.....62, 67-68, 71, 73-74
 WASHER,LOCK,M14.....77, 83, 85
 WASHER,LOCK,M6.....73-74
 WASHER,LOCK,M8.....62, 65, 79, 85
 WASHER,NYLON,.406 X.750 X.032.....91
 WASHER,SHIM,1.27 X 2.13 X .062..117, 119, 127
 WASHER,SPINDLE.....19
 WASHER,STAR,EXTERNAL,#8.....143
 WASHER,THRUST,1.5 X 3.5 X .187.....15, 17, 37
 WASHER,THRUST,TORQUE HUB.....21-23, 39, 41-43
 W A S H E R , T H R U S T , T O R Q U E HUB,74097.....22-23, 42-43
 WEAR PAD,3 X 1.5 X.625 W/NUTS.....137
 WEAR PAD,5 X 1.5 X .625 W/NUTS.....57-58, 117, 119
 WEAR PAD,5 X 1.5 X .75 W/NUTS.....117, 119
 WEAR PAD,6 X 1.5 X.50,W/INSERT.....113
 WEAR PAD,EXTENSION BOOM.....117, 119
 WEAR PAD,EXTENSION CYLINDER.....117, 119
 WEAR PAD,MID PIVOT,PERIMETER.....113
 WEAR PAD,PRIMARY BOOM,JIB.....119
 WEAR PAD,PRIMARY BOOM,NON JIB.....91
 WEAR PAD,PRIMARY BOOM,TOP 6.25X1.5X1.13.....119
 WEAR PAD,SECONDARY CYL,NON/JIB....111
 WEAR PAD,TANK SIDE BUMPER.....103, 105
 WELD, LPG TANK MOUNT.....89
 WELDMENT, PIPE CRADLE.....165
 WELDMENT,AIR CLEANER BRACKET.....77
 WELDMENT,AIR INTAKE TUBE,PAINT.....77
 WELDMENT,BULKHEAD ENGINE SIDE.....57-58
 WELDMENT,CABLE TRACK TRAY,J.....123
 WELDMENT,CABLE TRACK TRAY,NJIB.....121
 WELDMENT,ENGINE MOUNT,REAR.....77
 WELDMENT,LH ENGINE MOUNT,DTZ.....77
 WELDMENT,PIPE CRADLE MOUNT.....165
 WELDMENT,PLATFORM SUPPORT.....129, 139
 WELDMENT,RADIATOR MNT.,PERKINS...83, 85
 WELDMENT,RADIATOR MOUNT.....71
 WELDMENT,RADIATOR MOUNT,FORD.....71
 WELDMENT,RH ENGINE MOUNT,DTZ.....77
 WELDMNT,PLATFRM SUPPORT,NJIB**139
 WHEEL & TIRE ASSY,LF,2WD.....19
 WHEEL & TIRE ASSY,LF,2WD,FOAM.....19
 WHEEL & TIRE ASSY,LR/RF 248#.....19, 21-23, 39, 41-43

Part Description Index (continued)

WHEEL & TIRE ASSY,RF,2WD.....19
 WHEEL & TIRE ASSY,RF,2WD,FOAM.....19
 WHEEL & TIRE ASSEMBLY,LR/RF,FM.....19,
 21-23, 39, 41-43
 WHEEL & TIRE ASSEMBLY,RR/LF,FM.....19,
 21-23, 39, 41-43
 WHEEL DRIVE,4HB,48:1***.....22-23, 42-43
 WHEEL STUD, 4HP, 5/8-18***.....22-23, 42-43
 WHEEL&TIRE,LF,AIR,RT,N/MARK2WD.....19
 WHEEL&TIRE,LF,FOA,RT,N/MARK2WD.....19
 WHEEL&TIRE,LR/RF,AIR,RT,N/MARK.....19,
 21-23, 39, 41-43
 WHEEL&TIRE,LR/RF,FOA,RT,N/MARK.....19,
 21-23, 39, 41-43
 WHEEL&TIRE,RF,AIR,RT,N/MARK2WD.....19
 WHEEL&TIRE,RF,FOA,RT,N/MARK2WD.....19
 WHEEL&TIRE,RR/LF,AIR,RT,N/MARK.....19,
 21-23, 39, 41-43
 WHEEL&TIRE,RR/LF,FOA,RT,N/MARK.....19,
 21-23, 39, 41-43
 WHEEL,14.5 X 7.....19, 21-23
 WHEEL,14.5 X 7 (8 ON 8 BC) 31#.....19
 WHEEL,17.50 X 10.5(9 HOLES)63#.....19, 21-
 23, 39
 WHEEL,17.50 X 10.5,8 HOLE/8 BC.....19
 WHEEL/TIRE ASSEMBLY,RR/LF 248#.....19,
 21-23, 39, 41-43
 WIRE CABLE,12/3 CON.TPE JKT.....99, 143
 WIRE CABLE,14/3 CON.TPE JKT*.....57-58,
 143
 WIRE CABLE,14GA/3 CON.TPE JKT.....163
 WIRE CABLE,14GA/4 CON.TPE JKT.....143
 WIRE CABLE,16/4 CON.TPE JKT.....99, 113,
 141
 WIRE CABLE,16GA/3 CON.TPE JKT.....143
 WIRE CABLE,18/19 CON.TPRJKT.....99, 143
 WIRE LOOM,1.25"NYLON,HIGH TEMP...117,
 119, 125, 127
 WIRE LOOM,1.29 DIA.....145
 WIRING KIT,JIB TIME DELAY IC.....143
 WLDMNT,CABLE TRACK TRAY,JIB.....123
 WORKLIGHT,48 VOLT.....155

Y

YOKE ASSY,LH,4WD,Z45/25,IC.....37
 YOKE ASSY,RH,4WD,Z45/25,IC.....37
 YOKE ASSY.LH'2WD'Z45IC.....15, 17
 YOKE ASSY.RH'2WD'Z45IC.....15, 17

Z

ZERK,GREASE,1/8 NPT.....57-58

This Page Intentionally Left Blank

Fitting Cross References

Genie PN	Parker PN	Description	Genie PN	Parker PN	Description
12342	6-4 F5OX-S	CONNECTOR,STRAIGHT THREAD TO FLARE TUBE	42794	1 CR-S	ELBOW,90°,MALE PIPE
13757	4 R6X-S	RUN TEE,SWIVEL NUT,ORFS	42795	BV-0839	BALL VALVE
19685	12-10 C5OX-S	ELBOW,90°,STRAIGHT THREAD TO FLARE TUBE	42796	BV-0838	BALL VALVE
22664	12-10 C5OX	ELBOW,90°,STRAIGHT THREAD TO FLARE TUBE	42874	6-8 CLO-S	ELBOW,90°,MALE PIPE TO ORFS
27431	8-12 F5OX-S	CONNECTOR,STRAIGHT THREAD TO FLARE TUBE	42912	13943-6-4	HOSE END,90° FEMALE SWIVEL,JIC
28678	AS-B-33	SLEEVE,NYLON,1.81" ID	42920	BV-0840	BALL VALVE,90°
39871	6 WETX-WLN-S	UNION,90° BULKHEAD W/NUT,FLARE TUBE	42932	AS-B-17	SLEEVE,NYLON,1.22" ID
39872	4 R5OX-S	RUN TEE,STRAIGHT THREAD	42936	10243-2-4	HOSE END,FEMALE PIPE
39873	6 C5OX-S	ELBOW,90°,STRAIGHT THREAD TO FLARE TUBE	42953	1/2 DD-S	ELBOW,90°,FEMALE PIPE
39874	8-6 C5OX-S	ELBOW,90°,STRAIGHT THREAD TO FLARE TUBE	42956	6 WELO-WLNL-S	UNION,90° BULKHEAD W/NUT,ORFS
39875	4-6 C5OX-S	ELBOW,90°,STRAIGHT THREAD TO FLARE TUBE	45349	8 V5OX-S	ELBOW,45°,STRAIGHT THREAD TO FLARE TUBE
39876	6-8 C5OX-S	ELBOW,90°,STRAIGHT THREAD TO FLARE TUBE	45351	4 V5OX-S	ELBOW,45°,STRAIGHT THREAD TO FLARE TUBE
39877	4 F5OX-S	CONNECTOR,STRAIGHT THREAD TO FLARE TUBE	47223	10343-6-6	HOSE END,MALE,JIC
39878	6 F5OX-S	CONNECTOR,STRAIGHT THREAD TO FLARE TUBE	47419	PS690503-6-6	SWIVEL,90°,STRAIGHT THREAD TO 37° FLARE
39879	4-8 F5OX-S	CONNECTOR,STRAIGHT THREAD TO FLARE TUBE	48750	421-4	HOSE,1/4 INCH ID
39880	6-10 F5OX-S	CONNECTOR,STRAIGHT THREAD TO FLARE TUBE	48751	481TC-4	HOSE,1/4 INCH ID
39881	4-6 F5OX-S	CONNECTOR,STRAIGHT THREAD TO FLARE TUBE	48752	482TC-4	HOSE,1/4 INCH ID
39882	4-HP5ON-S	PLUG,STRAIGHT THREAD	48753	451TC-6	HOSE,3/8 INCH ID
39883	8-8 FTX-S	CONNECTOR,MALE PIPE TO FLARE TUBE	48754	482TC-6	HOSE,3/8 INCH ID
39885	269HB 12-12	ELBOW,90°,BEADED HOSE BARB TO MALE PIPE	48755	381-6	HOSE,3/8 INCH ID
39886	431-6	HOSE,3/8 INCH ID	48756	451TC-8	HOSE,1/2 INCH ID
39887	540N-2	HOSE,1/8 INCH ID	48757	482TC-8	HOSE,1/2 INCH ID
39888	801-8	HOSE,1/2 INCH ID	48758	381-8	HOSE,1/2 INCH ID
39889	801-12	HOSE,3/4 INCH ID	48759	381-10	HOSE,5/8 INCH ID
39890	10643-6-6	HOSE END,FEMALE SWIVEL,JIC	48760	451TC-10	HOSE,5/8 INCH ID
39891	13943-6-6	HOSE END,90° FEMALE SWIVEL,JIC	48761	482TC-12	HOSE,3/4 INCH ID
39892	13743-6-6	HOSE END,45° FEMALE SWIVEL,JIC	48762	451TC-12	HOSE,3/4 INCH ID
39894	30682-8-8	HOSE END,FEMALE SWIVEL,JIC	48763	772-12	HOSE,3/4 INCH ID
39895	30682-10-12	HOSE END,FEMALE SWIVEL,JIC	48764	881-16	HOSE,1 INCH ID
42286	8-8 CTX-S	ELBOW,90°,MALE PIPE TO FLARE TUBE	48765	772-16	HOSE,1 INCH ID
42756	8-12 CLO-S	ELBOW,90,MALE PIPE TO ORFS	48766	AS-B-15	SLEEVE,NYLON,1.06" ID
42757	8-12 FLO-S	CONNECTOR,MALE PIPE TO ORFS	48767	AS-B-22	SLEEVE,NYLON,1.42" ID
42758	4 JLO-S	UNION TEE,ORFS	48770	881-8	HOSE,1/2 INCH ID
42759	4-4 FLO-S	CONNECTOR,MALE PIPE TO ORFS			
42760	6-8 FLO-S	CONNECTOR,MALE PIPE TO ORFS			
42761	1J143-6-4	HOSE END,90° FEMALE SWIVEL,SEAL LOK			
42762	1J743-6-4	HOSE END,45° FEMALE SWIVEL,SEAL LOK			
42768	1JO43-4-4	HOSE END,MALE,SEAL LOK			
42776	601-8	HOSE,1/2 INCH ID			
42777	1J743-16-16	HOSE END,45° FEMALE SWIVEL,SEAL LOK			
42786	16 CLO-S	ELBOW,90°,MALE PIPE TO ORFS			
42787	16 R6LO-S	RUN TEE,SWIVEL NUT,ORFS			
42788	16-8 TRLO-BL-S	REDUCER,TUBE END TO SWIVEL,ORFS			
42789	6-6 CLO-S	ELBOW,90°,MALE PIPE TO ORFS			
42790	8-10 V5OLO-S	ELBOW,45°,STRAIGHT THREAD TO ORFS			
42791	3/4 CD-S	ELBOW,90°,MALE TO FEMALE PIPE			
42792	3/4 X 1/2 PTR-S	REDUCER,MALE TO FEMALE PIPE			
42793	1/2 CR-S	ELBOW,90°,MALE PIPE			

Fitting Cross References (Continued)

Genie PN	Parker PN	Description	Genie PN	Parker PN	Description
48771	881-10	HOSE,5/8 INCH ID	48847	13943-12-12	HOSE END,90° FEMALE SWIVEL,JIC
48772	381-4	HOSE,1/4 INCH ID	48848	10543-12-12	HOSE END,MALE,STRAIGHT THREAD
48773	AS-B-13	SLEEVE,NYLON,.86" ID	48849	1JC71-12-12	HOSE END,FEMALE SWIVEL,SEAL LOK
48800	1JC43-4-4	HOSE END,FEMALE SWIVEL,SEAL LOK	48850	1JS71-12-12	HOSE END,FEMALE SWIVEL,SEAL LOK
48801	1J743-4-4	HOSE END,45° FEMALE SWIVEL,SEAL LOK	48851	1J171-12-12	HOSE END,90° FEMALE SWIVEL,SEAL LOK
48802	1J943-4-4	HOSE END,90° FEMALE SWIVEL,SEAL LOK	48852	1J771-12-12	HOSE END,45° FEMALE SWIVEL,SEAL LOK
48804	1JM43-4-4	HOSE END,MALE,SEAL LOK, NO O-RING	48853	1J971-12-12	HOSE END,90° FEMALE SWIVEL,SEAL LOK
48805	10643-4-4	HOSE END,FEMALE SWIVEL,JIC	48854	1JC43-16-16	HOSE END,FEMALE SWIVEL,SEAL LOK
48806	13943-4-4	HOSE END,90° FEMALE SWIVEL,JIC	48855	1J943-16-16	HOSE END,90° FEMALE SWIVEL,SEAL LOK
48807	1JS43-4-4	HOSE END,FEMALE SWIVEL,SEAL LOK	48856	1J171-16-16	HOSE END,90° FEMALE SWIVEL,SEAL LOK
48808	3JC82-8-8	HOSE END,FEMALE SWIVEL,SEAL LOK	48857	1J971-16-16	HOSE END,90° FEMALE SWIVEL,SEAL LOK
48809	3JC82-12-12	HOSE END,FEMALE SWIVEL,SEAL LOK	48859	1JS43-8-4	HOSE END,FEMALE SWIVEL,SEAL LOK
48810	1JC43-6-4	HOSE END,FEMALE SWIVEL,SEAL LOK	48867	PD36BTL	DIAGNOSTIC NIPPLE,SEAL-LOK SWIVEL
48811	1J943-6-4	HOSE END,90° FEMALE SWIVEL,SEAL LOK	48873	6 PNLO-S	PLUG,TUBE END,ORFS
48812	1JC43-6-6	HOSE END,FEMALE SWIVEL,SEAL LOK	48874	6 PNTX-S	PLUG,FLARE TUBE
48813	1J143-6-6	HOSE END,90° FEMALE SWIVEL,SEAL LOK	48875	6 R6LO-S	RUN TEE,SWIVEL NUT,ORFS
48814	1J543-6-6	HOSE END,90° FEMALE SWIVEL,SEAL LOK	48877	4 F5OLO-SW/.025	CONNECTOR,STRAIGHT THREAD TO ORFS, W/.025 ORI
48815	1J743-6-6	HOSE END,45° FEMALE SWIVEL,SEAL LOK	48878	16-12 C5OLO-S	ELBOW,90°,STRAIGHT THREAD TO ORFS
48816	1J943-6-6	HOSE END,90° FEMALE SWIVEL,SEAL LOK	48879	8 C6LO-S	ELBOW,90°,SWIVEL NUT ORFS
48817	1JS43-6-8	HOSE END,FEMALE SWIVEL,SEAL LOK	48880	PD6-285	CAP,DIAGNOSTIC NIPPLE
48818	1J943-8-4	HOSE END,90° FEMALE SWIVEL,SEAL LOK	48881	6 HLO-S	UNION,ORFS
48819	1JC43-8-6	HOSE END,FEMALE SWIVEL,SEAL LOK	48883	8 P5ON-S	PLUG,STRAIGHT THREAD
48820	1J743-8-6	HOSE END,45° FEMALE SWIVEL,SEAL LOK	48884	8M18F87OMLO-S	CONNECTOR,METRIC,STRAIGHT THREAD TO ORFS
48821	1J943-8-6	HOSE END,90° FEMALE SWIVEL,SEAL LOK	48885	4 WGTX-WLN-S	CONNECTOR,BULKHEAD,FEMALE PIPE TO FLARE TUBE
48822	1JC43-8-8	HOSE END,FEMALE SWIVEL,SEAL LOK	48886	4 F5OLO-SW/2MM	CONNECTOR,MACHINED STRAIGHT THREAD TO ORFS
48823	1JS43-8-8	HOSE END,FEMALE SWIVEL,SEAL LOK	48887	4 CTX-S	ELBOW,90°,MALE PIPE TO FLARE TUBE
48824	1J143-8-8	HOSE END,90° FEMALE SWIVEL,SEAL LOK	48888	10-12 V5OLO-S	ELBOW,45°,STRAIGHT THREAD TO ORFS
48825	1J543-8-8	HOSE END,90° FEMALE SWIVEL,SEAL LOK	48890	4 S5OLO-S	BRANCH TEE,STRAIGHT THREAD TO ORFS
48826	1J743-8-8	HOSE END,45° FEMALE SWIVEL,SEAL LOK	48891	4 S6LO-S	BRANCH TEE,SWIVEL NUT TO ORFS
48827	1J943-8-8	HOSE END,90° FEMALE SWIVEL,SEAL LOK			
48828	1JC43-10-8	HOSE END,FEMALE SWIVEL,SEAL LOK			
48829	1JS43-10-8	HOSE END,FEMALE SWIVEL,SEAL LOK			
48830	1J743-10-8	HOSE END,45° FEMALE SWIVEL,SEAL LOK			
48831	1J943-10-8	HOSE END,90° FEMALE SWIVEL,SEAL LOK			
48833	1JC43-10-10	HOSE END,FEMALE SWIVEL,SEAL LOK			
48834	1J943-10-10	HOSE END,90° FEMALE SWIVEL,SEAL LOK			
48835	1JS43-10-12	HOSE END,FEMALE SWIVEL,SEAL LOK			
48836	1JC43-12-8	HOSE END,FEMALE SWIVEL,SEAL LOK			
48837	1JS43-12-8	HOSE END,FEMALE SWIVEL,SEAL LOK			
48838	1J743-12-8	HOSE END,45° FEMALE SWIVEL,SEAL LOK			
48839	1J943-12-8	HOSE END,90° FEMALE SWIVEL,SEAL LOK			
48840	1J943-12-10	HOSE END,90° FEMALE SWIVEL,SEAL LOK			
48841	1JC43-12-12	HOSE END,FEMALE SWIVEL,SEAL LOK			
48842	1JO43-12-12	HOSE END,MALE,SEAL LOK			
48843	1J143-12-12	HOSE END,90° FEMALE SWIVEL,SEAL LOK			
48844	1J543-12-12	HOSE END,90° FEMALE SWIVEL,SEAL LOK			
48845	1J743-12-12	HOSE END,45° FEMALE SWIVEL,SEAL LOK			
48846	1J943-12-12	HOSE END,90° FEMALE SWIVEL,SEAL LOK			

Fitting Cross References (Continued)

Genie PN	Parker PN	Description	Genie PN	Parker PN	Description
48892	6 C6LO-S	ELBOW,90°,SWIVEL NUT ORFS	48938	8 R6LO-S	RUN TEE,SWIVEL NUT,ORFS
48893	6 F5OHAO-S	UNION,STRAIGHT THREAD	48939	8 S6LO-S	BRANCH TEE,SWIVEL NUT TO ORFS
48894	8 WLO-WLNL-S	UNION,BULKHEAD,ORFS	48940	8 WJLO-WLNL-S	RUN TEE, BULKHEAD,ORFS
48895	DT-370-MSMO-5	VALVE,CHECK	48941	8-4 TRLO-S	REDUCER,TUBE END TO SWIVEL,ORFS
48896	6 JLO-S	UNION,TEE,ORFS	48942	8-6 C5OLO-S	ELBOW,90°,STRAIGHT THREAD TO ORFS
48897	DT-750-MSMS-5	VALVE,CHECK	48943	8-6 F5OLO-S	CONNECTOR,STRAIGHT THREAD TO ORFS
48898	DT-750-MOMS-5	VALVE,CHECK	48944	8-8 FLO-S	CONNECTOR,MALE PIPE TO ORFS
48899	DT-620-MOMS-5	VALVE,CHECK	48945	8 FTX-S	CONNECTOR,MALE PIPE TO FLARE TUBE
48900	4-6 F5OLO-SW/.035	CONNECTOR,STRAIGHT THREAD TO ORFS, W/.035 ORI	48946	8-10 F5OLO-S	CONNECTOR,STRAIGHT THREAD TO ORFS
48902	16-1 AOE4G-S	ELBOW,90° LONG,FEMALE PIPE TO STRAIGHT THREAD	48947	8-12 C5OLO-S	ELBOW,90°,STRAIGHT THREAD TO ORFS
48903	1 FF-S	NIPPLE,PIPE	48948	8-12 F5OLO-S	CONNECTOR,STRAIGHT THREAD TO ORFS
48904	4 C5OLO-S	ELBOW,90°,STRAIGHT THREAD TO ORFS	48949	8-16 F5OLO-S	CONNECTOR,STRAIGHT THREAD TO ORFS
48905	4 F5OLO-S	CONNECTOR,STRAIGHT THREAD TO ORFS	48950	10 C5OLO-S	ELBOW,90°,STRAIGHT THREAD TO ORFS
48906	4 R5OLO-S	RUN TEE,STRAIGHT THREAD	48951	10 CC5OLO-S	ELBOW,90° LONG,STRAIGHT THREAD TO ORFS
48907	4 V5OLO-S	ELBOW,45°,STRAIGHT THREAD TO ORFS	48952	10 F5OLO-S	CONNECTOR,STRAIGHT THREAD TO ORFS
48908	4 R6LO-S	RUN TEE,SWIVEL NUT,ORFS	48953	10 R5OLO-S	RUN TEE,STRAIGHT THREAD
48909	4 WJLO-WLNL-S	RUN TEE, BULKHEAD,ORFS	48954	10 S5OLO-S	BRANCH TEE,STRAIGHT THREAD TO ORFS
48910	4 GTX-S W/.030	CONNECTOR,FEMALE PIPE TO FLARE TUBE	48955	10 R6LO-S	RUN TEE,SWIVEL NUT,ORFS
48911	4-6 C5OLO-S	ELBOW,90°,STRAIGHT THREAD TO ORFS	48956	10-4 TRLO-BL-S	REDUCER,TUBE END TO SWIVEL,ORFS
48912	4-6 F5OLO-S	CONNECTOR,STRAIGHT THREAD TO ORFS	48957	10-6 TRLO-BL-S	REDUCER,TUBE END TO SWIVEL,ORFS
48913	4-6 F5OLO-SW/.030	CONNECTOR,STRAIGHT THREAD TO ORFS, W/.030 ORI	48958	10-12 F5OLO-S	CONNECTOR,STRAIGHT THREAD TO ORFS
48914	4-8 F5OLO-S	CONNECTOR,STRAIGHT THREAD TO ORFS	48959	12 C5OLO-S	ELBOW,90°,STRAIGHT THREAD TO ORFS
48915	6 C5OLO-S	ELBOW,90°,STRAIGHT THREAD TO ORFS	48960	12 F5OLO-S	CONNECTOR,STRAIGHT THREAD TO ORFS
48916	6 F5OLO-S	CONNECTOR,STRAIGHT THREAD TO ORFS	48961	12 R5OLO-S	RUN TEE,STRAIGHT THREAD
48917	6 FF5OLO-S	CONNECTOR,LONG,STRAIGHT THREAD TO ORFS	48962	12 S5OLO-S	BRANCH TEE,STRAIGHT THREAD TO ORFS
48918	6 R5OLO-S	RUN TEE,STRAIGHT THREAD	48963	12 V5OLO-S	ELBOW,45°,STRAIGHT THREAD TO ORFS
48919	6 S5OLO-S	BRANCH TEE,STRAIGHT THREAD TO ORFS	48964	12 R6LO-S	RUN TEE,SWIVEL NUT,ORFS
48920	6 V5OLO-S	ELBOW,45°,STRAIGHT THREAD TO ORFS	48965	12 CLO-S	ELBOW,90°,MALE PIPE TO ORFS
48921	6 FLO-S	CONNECTOR,MALE PIPE TO ORFS	48966	12 FLO-S	CONNECTOR,MALE PIPE TO ORFS
48922	6-6 FLO-S	CONNECTOR,MALE PIPE TO ORFS	48967	12 JLO-S	UNION TEE,ORFS
48923	6 P5ON-S	PLUG,STRAIGHT THREAD	48968	12 WLO-WLNL-S	UNION,BULKHEAD,ORFS
48925	6 WELO-S	UNION,90° BULKHEAD,ORFS	48969	12 WJLO-WLNL-S	RUN TEE, BULKHEAD,ORFS
48926	6-4 C5OLO-S	ELBOW,90°,STRAIGHT THREAD TO ORFS	48970	12 WELO-WLNL-S	UNION,90° BULKHEAD W/NUT,ORFS
48927	6-4 F5OLO-S	CONNECTOR,STRAIGHT THREAD TO ORFS			
48928	6-4 V5OLO-S	ELBOW,45°,STRAIGHT THREAD TO ORFS			
48929	6-8 C5OLO-S	ELBOW,90°,STRAIGHT THREAD TO ORFS			
48930	6-8 F5OLO-S	CONNECTOR,STRAIGHT THREAD TO ORFS			
48931	6-10 F5OLO-S	CONNECTOR,STRAIGHT THREAD TO ORFS			
48932	8 C5OLO-S	ELBOW,90°,STRAIGHT THREAD TO ORFS			
48933	8 F5OLO-S	CONNECTOR,STRAIGHT THREAD TO ORFS			
48934	8 FF5OLO-S	CONNECTOR,LONG,STRAIGHT THREAD TO ORFS			
48935	8 R5OLO-S	RUN TEE,STRAIGHT THREAD			
48936	8 S5OLO-S	BRANCH TEE,STRAIGHT THREAD TO ORFS			
48937	8 V5OLO-S	ELBOW,45°,STRAIGHT THREAD TO ORFS			

Fitting Cross References (Continued)

Genie PN	Parker PN	Description	Genie PN	Parker PN	Description
48971	12 G5G5JG5-S	TEE,FEMALE STRAIGHT THREAD	49612	PKT02586	O-RING KIT (ORFS FITTINGS)
48972	12 XHL6-S	ADAPTER, 37° MALE TO SWIVEL ORFS	49613	PKT06276	PLUG AND CAP KIT-SERVICE,ORFS
48973	12-1/2 F5OG-S	ADAPTER,FEMALE PIPE TO STRAIGHT THREAD	49728	10143-12-12	HOSE END, MALE PIPE
48974	12-10 C5OLO-S	ELBOW,90°,STRAIGHT THREAD TO ORFS	49729	16-1 F5OG-S	ADAPTER,FEMALE PIPE TO STRAIGHT THREAD
48975	12-10 F5OLO-S	CONNECTOR,STRAIGHT THREAD TO ORFS	49814	12-8 FLO-S	CONNECTOR,MALE PIPE TO ORFS
48976	12-16 C5OLO-S	ELBOW,90°,STRAIGHT THREAD TO ORFS	49829	DT-500-MOMF-5	VALVE,CHECK
48977	12-16 F5OLO-S	CONNECTOR,STRAIGHT THREAD TO ORFS	49831	881-12	HOSE,3/4 INCH ID
48978	12-16 V5OLO-S	ELBOW,45°,STRAIGHT THREAD TO ORFS	49834	16 JLO-S	UNION TEE,ORFS
48980	12-16 FLO-S	CONNECTOR,MALE PIPE TO ORFS	49838	12-8 TRLO-BL-S	REDUCER,TUBE END TO SWIVEL,ORFS
48983	16 C5OLO-S	ELBOW,90°,STRAIGHT THREAD TO ORFS	49840	8 JLO-S	UNION TEE,ORFS
48984	16 F5OLO-S	CONNECTOR,STRAIGHT THREAD TO ORFS	49844	10-8 TRLO-BL-S	REDUCER,TUBE END TO SWIVEL,ORFS
48985	16 V5OLO-S	ELBOW,45°,STRAIGHT THREAD TO ORFS	49854	8 P5ON-S	PLUG,STRAIGHT THREAD
48986	16 FLO-S	CONNECTOR,MALE PIPE TO ORFS	49855	1JC43-16-12	HOSE END,FEMALE SWIVEL,SEAL LOK
48988	16 CD45-S	ELBOW,45°,MALE TO FEMALE PIPE	49859	4 P5ON-S	PLUG,STRAIGHT THREAD
48989	12 CD45-S	ELBOW,45°,MALE TO FEMALE PIPE	49861	4 FF5OLO-S	CONNECTOR,LONG,STRAIGHT THREAD TO ORFS
48990	8 CD45-S	ELBOW,45°,MALE TO FEMALE PIPE	49867	12-3/4 F5OG-S	ADAPTER,FEMALE PIPE TO STRAIGHT THREAD
48991	16-12 FLO-S	CONNECTOR,MALE PIPE TO ORFS	51152	6 R6X-S	RUN TEE,SWIVEL NUT,ORFS
48992	16-12 V5OLO-S	ELBOW,45°,STRAIGHT THREAD TO ORFS	51153	6-4 TRTX-S	REDUCER,TUBE END TO SWIVEL,ORFS
48993	XV501-12	BALL VALVE	51154	4-4 GTX	CONNECTOR,FEMALE PIPE TO FLARE TUBE
48994	XV501-16	BALL VALVE	51264	881-12	HOSE,3/4 INCH ID
48995	XV510P-12	BALL VALVE	51265	8 JLO-S	UNION TEE,ORFS
48996	XV510P-16	BALL VALVE	51508	6 BTX-S	NUT,FLARE TUBE
48997	PD341	DIAGNOSTIC NIPPLE, STRAIGHT THREAD	51580	12-8 TRLO-BL-S	TUBE END REDUCER,ORFS
48998	PD 361	DIAGNOSTIC NIPPLE, STRAIGHT THREAD	51628	6 R6X-S	RUN TEE,SWIVEL NUT,ORFS
48999	DT-500-MOMS-5	VALVE,CHECK	51735	3/8 HHP	PLUG,PIPE THREAD
49201	10 V5OLO-S	ELBOW,45°,STRAIGHT THREAD TO ORFS	51803	1J943-6-8	HOSE END,90° FEMALE SWIVEL,SEAL LOK
49202	1JC43-12-10	HOSE END,FEMALE SWIVEL,SEAL LOK	53023	125HBL-5-4	FITTING,HOSE BARB TO MALE PIPE
49203	10-8 V5OLO-S	ELBOW,45°,STRAIGHT THREAD TO ORFS	53497	PKT02585	O-RING KIT
49205	6 F5OHAO-S	UNION,STRAIGHT THREAD	53499	1JC71-16-16	HOSE END,FEMALE SWIVEL,SEAL LOK
49207	PD34BTL	DIAGNOSTIC NIPPLE,SEAL-LOK SWIVEL	53500	3-904	O-RING,STRAIGHT THREAD,-4
49209	8M18F870MX-S	CONNECTOR,METRIC,STRAIGHT THREAD TO FLARE TUBE	53501	3-906	O-RING,STRAIGHT THREAD,-6
49212	8 WGTX-WLN-S	CONNECTOR,BULKHEAD,FEMALE PIPE TO FLARE TUBE	53502	3-908	O-RING,STRAIGHT THREAD,-8
49213	30682-8-8	HOSE END,FEMALE SWIVEL,JIC	53503	3-910	O-RING,STRAIGHT THREAD,-10
49216	831-8	HOSE,1/2 INCH ID			
49217	33982-8-8	HOSE END,90° FEMALE SWIVEL,JIC			
49219	PS-B-35	SLEEVE,NYLON,2.19" ID			
49418	4-6 V5OLO-S	ELBOW,45°,STRAIGHT THREAD TO ORFS			
49511	DT370-MOMS-5	VALVE,CHECK			
49512	1 DD-S	ELBOW,90°,FEMALE PIPE			
49513	1 FF-S	NIPPLE,PIPE			
49514	10 HP5ON-S	PLUG,STRAIGHT THREAD			
49515	12-16 CLO-S	ELBOW,90°,MALE PIPE TO ORFS			
49517	6 HP5ON-S	PLUG,STRAIGHT THREAD			
49519	16-12 F5OLO-S	CONNECTOR,STRAIGHT THREAD TO ORFS			
49520	4 VTX-S	ELBOW,45°,MALE PIPE TO FLARE TUBE			
49530	16 C6LO-S	ELBOW,90°,SWIVEL NUT ORFS			

Fitting Cross References (Continued)

Genie PN	Parker PN	Description	Genie PN	Parker PN	Description
53535	3-912	O-RING,STRAIGHT THREAD,-12	61083	24 F5OLO-S	CONNECTOR,STRAIGHT THREAD TO ORFS
53536	4-PNLO-S	PLUG,TUBE END,ORFS	61086	20 R5OLO-S	RUN TEE,STRAIGHT THREAD
53537	6 PNLO-S	PLUG,TUBE END,ORFS	61090	24-20 F5OLO-S	CONNECTOR,STRAIGHT THREAD TO ORFS
53538	8 PNLO-S	PLUG,TUBE END,ORFS	61091	1J943 24-24	HOSE END,90° FEMALE SWIVEL,SEAL LOK
53539	10 PNLO-S	PLUG,TUBE END,ORFS	61093	1J978-12-12	HOSE END,90° FEMALE SWIVEL,JIC
53540	12 PNLO-S	PLUG,TUBE END,ORFS	61095	1JS43-20-16	HOSE END,FEMALE SWIVEL,SEAL LOK
53946	129HB-5-4	FITTING,90° HOSE BARB TO MALE PIPE	61100	811-24	HOSE,11/2 INCH ID
53951	8-1/4F50G-S	ADAPTER,FEMALE PIPE TO STRAIGHT THREAD	61130	1JS43-24-24	HOSE END,FEMALE SWIVEL,SEAL LOK
53980	6 S6LO-S	BRANCH TEE,SWIVEL NUT TO ORFS	61131	1JS78 12-12	HOSE END,FEMALE SWIVEL,SEAL LOK
54132	4 C6LO-S	ELBOW,90°,SWIVEL NUT ORFS	61132	1J778-12-12	HOSE END,45° FEMALE SWIVEL,JIC
54135	11343-16-16	HOSE END,MALE SWIVEL,PIPE	61152	139HB-6-4	ELBOW,45°,BARB TO MALE PIPE
54283	8-10 C5OLO-S	ELBOW,90°,STRAIGHT THREAD TO ORFS	61251	BV-0750	BALL VALVE
54428	8M18C870MLO-S	ELBOW, 90° METRIC, STRAIGHT THREAD TO ORFS	61259	4 CC5OLO-S	ELBOW,90° LONG,STRAIGHT THREAD TO ORFS
54803	FS-F-16-10	SLEEVE,FIRE,-96" ID	61260	20-12 TRLO-BL	REDUCER,TUBE END TO SWIVEL,ORFS
54954	10143-2-4	HOSE END, MALE PIPE	61262	12 C6LO-S	ELBOW,90°,SWIVEL NUT ORFS
55190	3/8 HP-S	PLUG,PIPE THREAD	61263	20 F5OHAO-S	UNION,STRAIGHT THREAD
55448	8 HLO-S	UNION,ORFS	61264	6-10 C5OLO-S	ELBOW,90°,STRAIGHT THREAD TO ORFS
55839	6 F65OX-S	CONNECTOR,STRAIGHT THREAD TO 37° SWIVEL	61265	6 WNLO-WLNL-S	UNION,BULKHEAD 45°,ORFS
55968	10 C5OX-S	ELBOW,90°,STRAIGHT THREAD TO FLARE TUBE	61268	4 WNLO-WLNL-S	UNION,BULKHEAD 45°,ORFS
56003	6 CC5OLO-S	ELBOW,90° LONG,STRAIGHT THREAD TO ORFS	61269	4 WLO-WLNL-S	UNION,BULKHEAD,ORFS
56166	BV-0837	BALL VALVE,90°	61272	12 AOEL6	ELBOW,90°,STRAIGHT THREAD TO ORFS SWIVEL
56188	10143-8-6	HOSE END, MALE PIPE	61316	482TC-16	HOSE,1 INCH ID
56233	2-011	O-RING,ORFS,-4	61321	6 JLO-S	UNION TEE,ORFS
56234	2-012	O-RING,ORFS,-6	61327	782-12	HOSE,3/4 INCH ID
56235	2-014	O-RING,ORFS,-8	61328	881-24	HOSE,11/2 INCH ID
56236	2-016	O-RING,ORFS,-10	61336	11943-20-24	HOSE END,90° FLANGE HEAD
56237	2-018	O-RING,ORFS,-12	61345	12 WJLO-WLNL-S	RUN TEE, BULKHEAD,ORFS
56238	2-021	O-RING,ORFS,-16	61346	8 WNLO-WLNL-S 4	UNION,BULKHEAD 45°,ORFS
56352	6 WLNL-S	LOCKNUT,BULKHEAD	61569	33782-8-8	HOSE END,45° FEMALE SWIVEL,JIC
56353	3J782-12-12	HOSE END,45° FEMALE SWIVEL,SEAL LOK	61610	12 FF5OLO-S	CONNECTOR,LONG,STRAIGHT THREAD TO ORFS
56354	3J982-12-12	HOSE END,90° FEMALE SWIVEL,SEAL LOK	61742	1/8 X 1.5 FFF	NIPPLE,PIPE
56604	10-8 F5OLO-S	CONNECTOR,STRAIGHT THREAD TO ORFS	63426	8 PNTX-S	PLUG,FLARE TUBE
56639	3JC82-10-10	HOSE END,FEMALE SWIVEL,SEAL LOK			
56640	3J982-10-10	HOSE END,90° FEMALE SWIVEL,SEAL LOK			
56655	3JC82-8-10	HOSE END,FEMALE SWIVEL,SEAL LOK			
56676	10-8 C5OLO-S	ELBOW,90°,STRAIGHT THREAD TO ORFS			
56776	471TC-6	HOSE,3/8 INCH ID			
56777	471TC-8	HOSE,1/2 INCH ID			
56789	811-16	HOSE,1 INCH ID			
57884	3/8 FF	NIPPLE,PIPE			
59335	6 FNL-S	CAP, TUBE END			
59342	4 FNL-S	CAP, TUBE END			
59371	8 HP5ON-S	PLUG,STRAIGHT THREAD			
60653	BV-0751	BALL VALVE			
60806	125HB-3-4	FITTING,HOSE BARB TO MALE PIPE			
61064	5-1/4 F50G-S	ADAPTER,FEMALE PIPE TO STRAIGHT THREAD			
61079	4 WELO-WLNL-S	UNION,90° BULKHEAD W/NUT,ORFS			
61080	6 WLO-WLNL-S	UNION,BULKHEAD,ORFS			

Fitting Cross References (Continued)

Genie PN	Parker PN	Description	Genie PN	Parker PN	Description
64271	4 WLO-WLNL-S	UNION,BULKHEAD,ORFS	75631	801-6	HOSE,3/8 INCH ID
64272	6 WLO-WLNL-S	UNION,BULKHEAD,ORFS	75654	20 F5OLO-S	CONNECTOR,STRAIGHT THREAD TO ORFS
65776	8 F65OL-S	CONNECTOR,STRAIGHT THREAD TO ORFS SWIVEL	75655	1J943-20-20	HOSE END,90° FEMALE SWIVEL,SEAL LOK
65880	6001012	O-RING KIT	75656	881-20	HOSE,1-1/4 INCH ID
66154	6 WTX-WLNS	UNION,BULKHEAD,FLARE TUBE	75971	8 F5OHAO-S	UNION,STRAIGHT THREAD
66155	6 WETX-S	UNION,BULKHEAD 90°,FLARE TUBE	77307	1JB43-8-8	HOSE END,BULKHEAD,SEAL LOK
66156	6 WLN-S	BULKHEAD LOCKNUT	77309	8 WLNL-S	BULKHEAD LOCKNUT
66389	6-8 F5OX-S	CONNECTOR,STRAIGHT THREAD TO FLARE TUBE	77379	8M18C87OMX-S	ELBOW,90° METRIC,STRAIGHT THREAD TO FLARE TUBE
66392	6 R5OX-S	RUN TEE,STRAIGHT THREAD	77703	3J982-8-8	HOSE END,90° FEMALE SWIVEL,SEAL LOK
66396	811-12	HOSE,3/4 INCH ID	77711	801-10	HOSE,5/8 INCH ID
66829	H3174PP	CLAMP,TUBE	77758	12 WNLO-WLNL-S	UNION,BULKHEAD 45°,ORFS
67217	4 KLO-S	UNION,CROSS,ORFS	78091	6 C6X-S	ELBOW,90°,SWIVEL NUT TO FLARE TUBE
67339	10-6 F5OX-S	CONNECTOR,STRAIGHT THREAD TO FLARE TUBE	78684	30582-8-8B	HOSE END,PUSH LOK,MALE
67357	13943-8-6	HOSE END,90° FEMALE SWIVEL,JIC	78852	549-2	HOSE,1/8 INCH ID
67358	10 HP5ON-S	PLUG,STRAIGHT THREAD	78855	10657-4-2	HOSE END,FEMALE SWIVEL,JIC
67371	12 S6LO-S	BRANCH TEE,SWIVEL NUT TO ORFS	79138	PS-B-37	SLEEVE,NYLON,2.38" ID
67498	4 FNL-S	CAP, TUBE END	79476	1JS43-6-8	HOSE END,FEMALE SWIVEL,SEAL LOK
67906	DC-370-F0F0-5	VALVE,CHECK	79847	12-3/4 A0EG-S	ELBOW,90°,STRAIGHT THREAD TO FEMALE PIPE
69316	8 FLO-S	CONNECTOR,MALE PIPE TO ORFS	80044	8 CLO-S	ELBOW,90°,MALE PIPE TO ORFS
69333	H3174PP	CLAMP,HYDRAULIC HOSE	80502	8 F5OX-S	CONNECTOR,STRAIGHT THREAD TO FLARE TUBE
69503	4 F65OX-S	CONNECTOR,STRAIGHT THREAD TO 37° SWIVEL	80503	8 C5OX-S	ELBOW,90°,STRAIGHT THREAD TO FLARE TUBE
69775	8 FNL-S	CAP, TUBE END	81010	AS-B-27	SLEEVE,NYLON,1.63" ID
71038	1/4X1/4F3HG-S	ADAPTER,CONVERSION	83052	821-6	HOSE,3/8 INCH ID
71196	12-8 F5OLO-S	CONNECTOR,STRAIGHT THREAD TO ORFS	83053	821-8	HOSE,1/2 INCH ID
71383	1/4 CD45-S	ELBOW,45°,MALE TO FEMALE PIPE	83054	821-12	HOSE,3/4 INCH ID
72270	12FNL-S	CAP, TUBE END	83055	30682-6-6	HOSE END,FEMALE SWIVEL,JIC
73436	60C-4	SLEEVE,COMPRESSION	83056	30682-12-12	HOSE END,FEMALE SWIVEL,JIC
73437	61C-4	NUT,COMPRESSION	83057	33782-6-6	HOSE END,45° FEMALE SWIVEL,JIC
73438	33482-4-4B	HOSE END,PUSH LOK,MALE	83058	33982-6-6	HOSE END,90° FEMALE SWIVEL,JIC
73767	1CD-S	ELBOW,90°,MALE TO FEMALE PIPE	83060	33982-12-12	HOSE END,90° FEMALE SWIVEL,JIC
73768	20-16-F5OG5-S	ADAPTER,FEMALE PIPE TO STRAIGHT THREAD	83063	13743-4-4	HOSE END,45° FEMALE SWIVEL,JIC
73769	16-20 F5OLO-S	CONNECTOR,STRAIGHT THREAD TO ORFS			
74660	6-8 F42EDMLO-S	CONNECTOR,MALE BSPP TO ORFS			
74661	8-8 F42EDMLO-S	CONNECTOR,MALE BSPP TO ORFS			
75007	4 FLO-S	CONNECTOR,MALE PIPE TO ORFS			
75008	1/8 HP-S	PLUG,PIPE THREAD			
75014	1/2 HP-S	PLUG,PIPE THREAD			
75042	8 WELO-WLNL-S	UNION,90° BULKHEAD W/NUT,ORFS			
75043	3/4 FF-S	NIPPLE,PIPE			
75254	24 F5OHAO-S	UNION,STRAIGHT THREAD			
75255	12 F5OHAO-S	UNION,STRAIGHT THREAD			
75256	XV506P-24	BALL VALVE			
75574	4 WLNL-S	BULKHEAD LOCKNUT			
75612	8 WJLO-WLNL-S	RUN TEE, BULKHEAD,ORFS			
75613	12-8 F5OG5-S	ADAPTER,FEMALE PIPE TO STRAIGHT THREAD			
75614	8 CC5OLO-S	ELBOW,90° LONG,STRAIGHT THREAD TO ORFS			
75628	1JB43-4-4	HOSE END,BULKHEAD,SEAL LOK			

Fitting Cross References (Continued)

Genie PN	Parker PN	Description	Genie PN	Parker PN	Description
83064	13743-8-8	HOSE END,45° FEMALE SWIVEL,JIC	89449	6 WJLO-WLNL-S	RUN TEE, BULKHEAD,ORFS
83065	13743-12-12	HOSE END,45° FEMALE SWIVEL,JIC	89489	4 WJMLO-S	BRANCH TEE,BULKHEAD,ORFS
83066	13943-8-8	HOSE END,90° FEMALE SWIVEL,JIC	89551	1JB43-6-6	HOSE END,BULKHEAD,SEAL LOK
83067	14143-6-6	HOSE END,90° FEMALE SWIVEL,JIC	89552	1JB43-8-8	HOSE END,BULKHEAD,SEAL LOK
83068	14143-8-8	HOSE END,90° FEMALE SWIVEL,JIC	89593	20 C5OLO-S	ELBOW,90°,STRAIGHT THREAD TO ORFS
83069	14143-12-12	HOSE END,90° FEMALE SWIVEL,JIC	94161	8-8 CLO-S	ELBOW,90°,MALE PIPE TO ORFS
83070	772-8	HOSE,1/2 INCH ID	94358	351TC-12	HOSE,3/4 INCH ID
83071	10671-8-8	HOSE END,FEMALE SWIVEL,JIC	94418	20 FLO-S	CONNECTOR,MALE PIPE TO ORFS
83072	10671-12-12	HOSE END,FEMALE SWIVEL,JIC	96358	12 TX-S	SLEEVE,FLARE TUBE
83073	13771-8-8	HOSE END,45° FEMALE SWIVEL,JIC	96359	12 BTX-S	NUT,FLARE TUBE
83074	13771-12-12	HOSE END,45° FEMALE SWIVEL,JIC	96397	8 F5OX-S	CONNECTOR,STRAIGHT THREAD TO FLARE TUBE
83075	13971-8-8	HOSE END,90° FEMALE SWIVEL,JIC	96398	12-8 F5OX-S	CONNECTOR,STRAIGHT THREAD TO FLARE TUBE
83076	13971-12-12	HOSE END,90° FEMALE SWIVEL,JIC	96402	10343-6-6	HOSE END,MALE,JIC
83077	14171-8-8	HOSE END,90° FEMALE SWIVEL,JIC	96407	30382-6-6B	HOSE END,MALE,JIC
83078	14171-12-12	HOSE END,90° FEMALE SWIVEL,JIC			
83080	13943-16-16	HOSE END,90° FEMALE SWIVEL,JIC			
83103	10671-16-12	HOSE END,FEMALE SWIVEL,JIC			
83104	10671-10-12	HOSE END,FEMALE SWIVEL,JIC			
83112	1JC71-8-8	HOSE END,FEMALE SWIVEL,SEAL LOK			
83113	1JS71-16-12	HOSE END,FEMALE SWIVEL,SEAL LOK			
83114	1JS71-10-12	HOSE END,FEMALE SWIVEL,SEAL LOK			
83115	1J971-8-8	HOSE END,90° FEMALE SWIVEL,SEAL LOK			
83116	1J171-8-8	HOSE END,90° FEMALE SWIVEL,SEAL LOK			
83117	1J771-8-8	HOSE END,45° FEMALE SWIVEL,SEAL LOK			
83127	1J543-6-8	HOSE END,90° FEMALE SWIVEL,JIC			
83128	1JC43-6-8	HOSE END,FEMALE SWIVEL,SEAL LOK			
87033	12-6 TRLO-S	REDUCER,TUBE END TO SWIVEL,ORFS			
87034	3J782-8-8	HOSE END,45° FEMALE SWIVEL,SEAL LOK			
87172	12 HP5ON-S	PLUG,STRAIGHT THREAD			
87185	8 WNLO-WLNL-S	UNION,BULKHEAD 45°,ORFS			
87246	4 C6X-S	ELBOW,90°,SWIVEL NUT TO FLARE TUBE			
87679	6 LHP-S	FLANGE SEAL FITTING, MALE			
87681	6PLS N0702	BONDED SEAL			
88100	SR88100	ADAPTER,OIL DRAIN,GM 3.0L			
88311	1JS43-20-20	HOSE END,FEMALE SWIVEL,SEAL LOK			
88353	20 V5OLO-S	ELBOW,45°,STRAIGHT THREAD TO ORFS			
88474	10081-20	Crimp Shell, 1.25"			
88475	1988-20-24	HOSE END,90° FLANGE HEAD			
88476	JS88-24-24	HOSE END,FEMALE SWIVEL,SEAL LOK			
88477	1JC88-20-20	HOSE END,FEMALE SWIVEL,SEAL LOK			
88478	811-20	HOSE,11/4 INCH ID			
88936	20-16 F5OLO-S	CONNECTOR,STRAIGHT THREAD TO ORFS			
88937	20-16 FLO-S	CONNECTOR,MALE PIPE TO ORFS			
88938	1JC88-16-16	HOSE END,FEMALE SWIVEL,SEAL LOK			
88939	1J988-16-16	HOSE END,90° FEMALE SWIVEL,ORFS			
88940	811-16	HOSE,1 INCH ID			
88944	1J988-20-20	HOSE END,90° FEMALE SWIVEL,ORFS			
89403	16 VLO-S	ELBOW,45°,MALE PIPE TO ORFS			

California Proposition 65



WARNING

Operating, servicing and maintaining this equipment can expose you to chemicals including engine exhaust, carbon monoxide, phthalates, and lead, which are known to the State of California to cause cancer and birth defects or other reproductive harm. These chemicals can be emitted from or contained in other various parts and systems, fluids and some component wear by-products. To minimize exposure, avoid breathing exhaust, do not idle the engine except as necessary, service your equipment and vehicle in a well-ventilated area and wear gloves or wash your hands frequently when servicing your equipment or vehicle and after operation. For more information go to www.P65Warnings.ca.gov/passenger-vehicle.

Breathing diesel engine exhaust exposes you to chemicals known to the State of California to cause cancer and birth defects or other reproductive harm.

- Always start and operate the engine in a well-ventilated area.
- If in an enclosed area, vent the exhaust to the outside.
- Do not modify or tamper with the exhaust system.
- Do not idle the engine except as necessary.

For more information go to www.P65warnings.ca.gov/diesel.

Parts Manual

Z-45/25

Z-45/25J

from SN 9997 to 21178

Part No.
52551

Rev E3

Genie
A TEREX BRAND